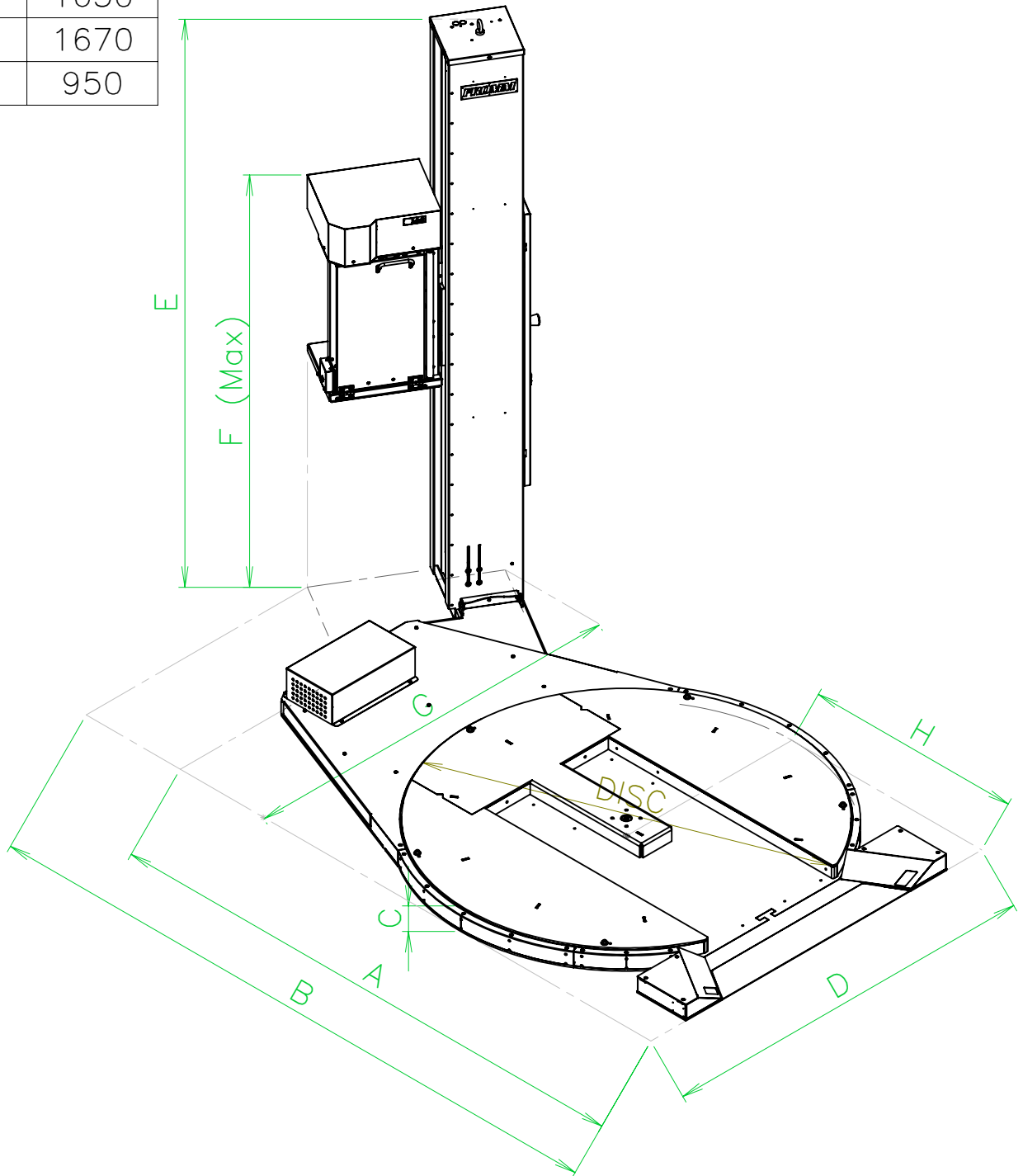


Modifications:  
Modifiche:

DISC	Ø1585
A	2360
B	2820
C	77
D	1650
G	1670
H	950

H Max Film	2250	2500	2800	3050
E	2237	2487	2787	3037
F (carriage 2 motors)	2540	2790	3090	3340
F (carriage 1 motor)	2490	2740	3040	3290



General tolerances / Tolleranze generali  <b>ISO 2768 - mK</b>	Modifications: — Modifiche: — —		Replaced by — Sostituito da — Replace — Sostituisce —		
	Description: LAYOUT FS390 Descrizione: HORSE SHOE		Scale Scala —	Drawn Disegnato 26/01/18	Checked Controllato —
	<b>FROMMM</b>		Seen Visto —	—	—
	—				