


ELS.1025


MODEL : FROMM FS 400
MODEL : FROMM FS 401
MODEL : FROMM FS 402
MODEL : FROMM FS 403

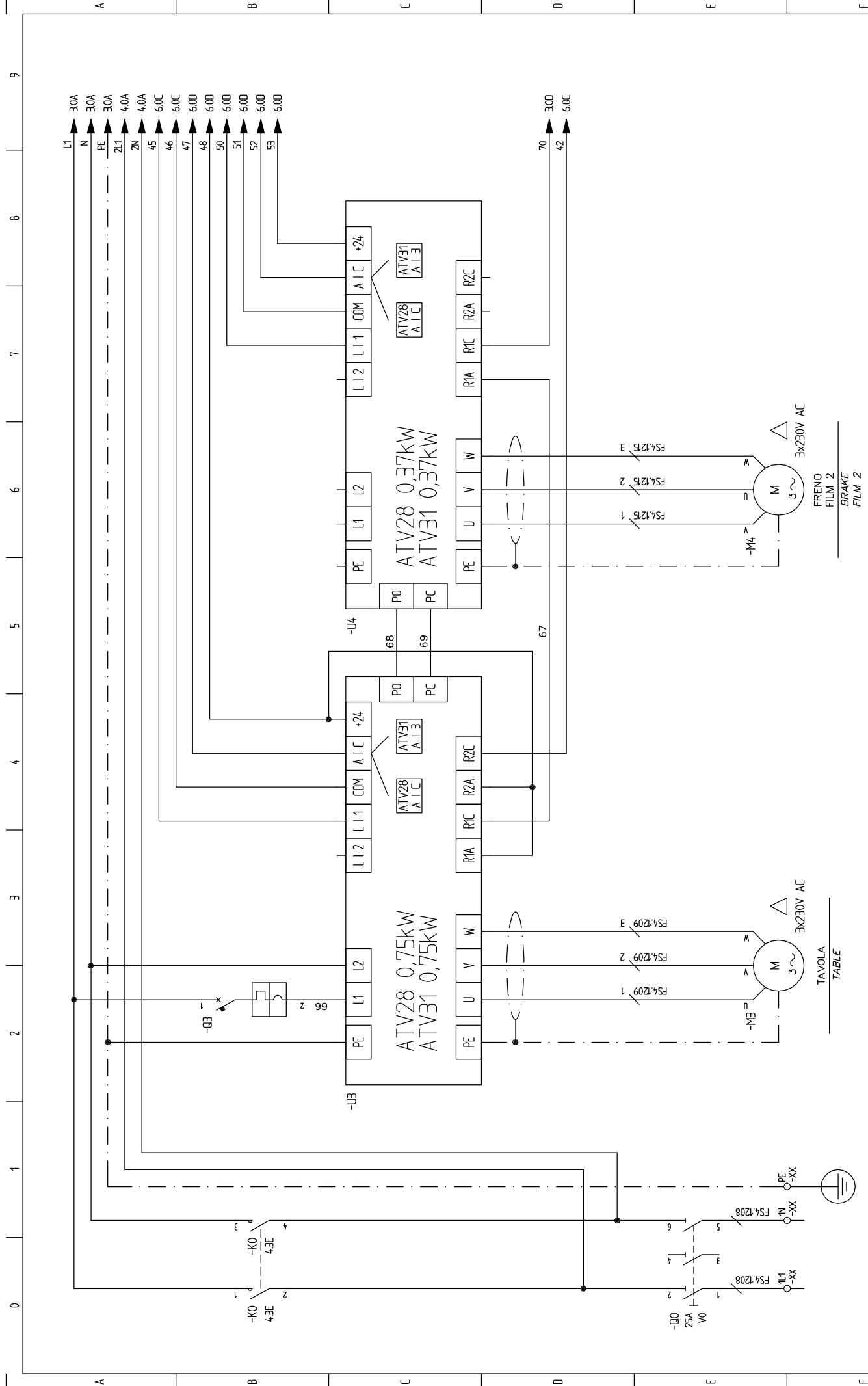
Copying of this document, and giving it to other and the use or communication of the contents thereof, are forbidden without express authority. Offenders are liable to the payment of damages. All rights are reserved in the event of the grant of a patent or the registration of a utility model or design.

PROGETTO
 BANCA DIS.
 TIPO

01	ATV31	1B/09/04	M.G.	DATA	21/04/04		
				DISEGN.	MORANDO G.		
				VISTO			
				APPR.			
REV.	MODIFICA	DATA	FIRMA				
				SOST. IL. :	3	SOST. DA. :	4
				FILE : ELS.1025.dwg	5		5
					6		6
					7		7
					8		8
					9		9

TENSIONE POWER SUPPLY	230V ac
POTENZA INSTALLATA INSTALLED POWER	1,8kW
CORRENTE CURRENT	8A
FROMM ITALIANA s.r.l. Caprino Veronese (VR) ITALY	
	
ELS.1025	
FOGLIO	
	1
	T.F. 9

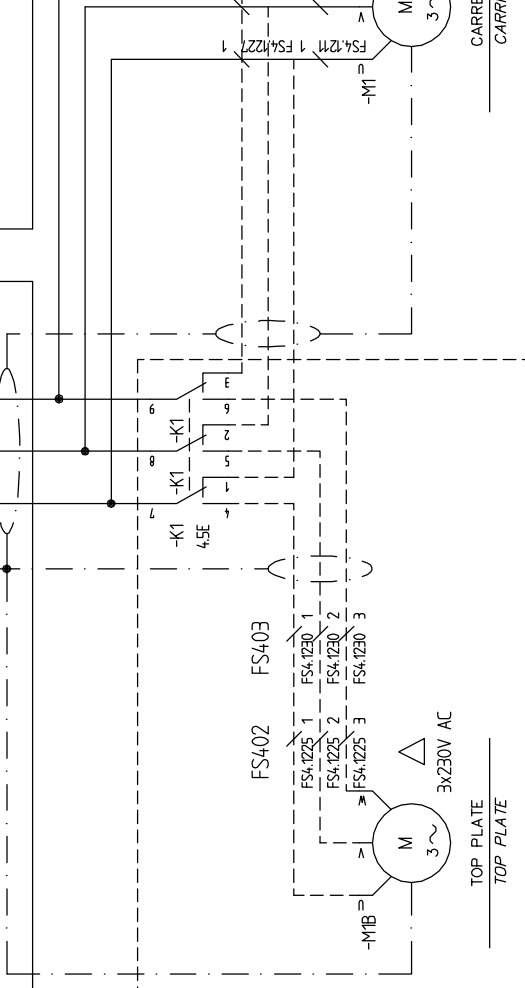
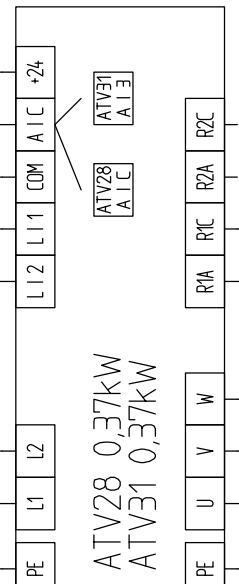
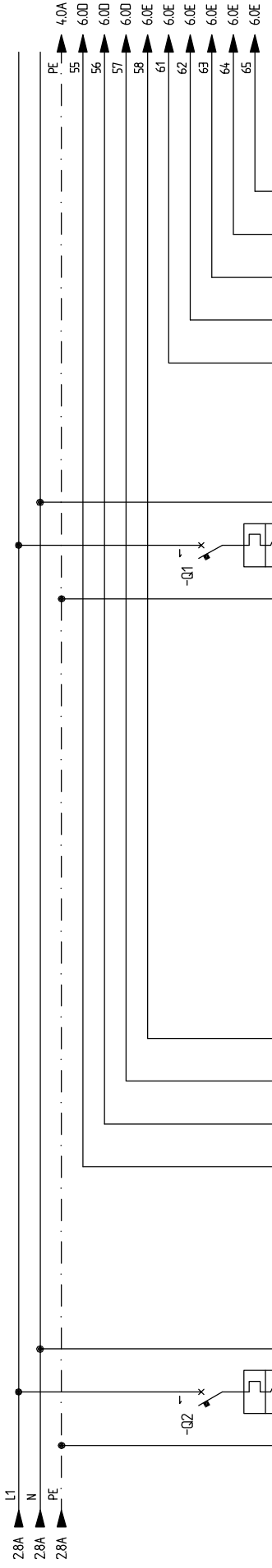
	
FS400/FS401/FS402/FS403	ELS.1025
	FILE : ELS.1025.dwg
	=
	+
FG. 01	FS. 02
	F.T. 9



01	ATV31	13/09/04	M.G.	DATA	21/04/04	MORANDO G.	FRONM			FS400/FS401/FS402/FS403			ELS.1025	
				DISEGN									FG. 02	9.03
				VISTO									F.T. 9	9
REV.	MODIFICA	DATA	FIRMA	APPR.	SOIST. IL. :	SOIST. DA. :	FILE : ELS.1025.dwg							
0					2	3	4	5	6	7	8			

TAVOLA
TABLE

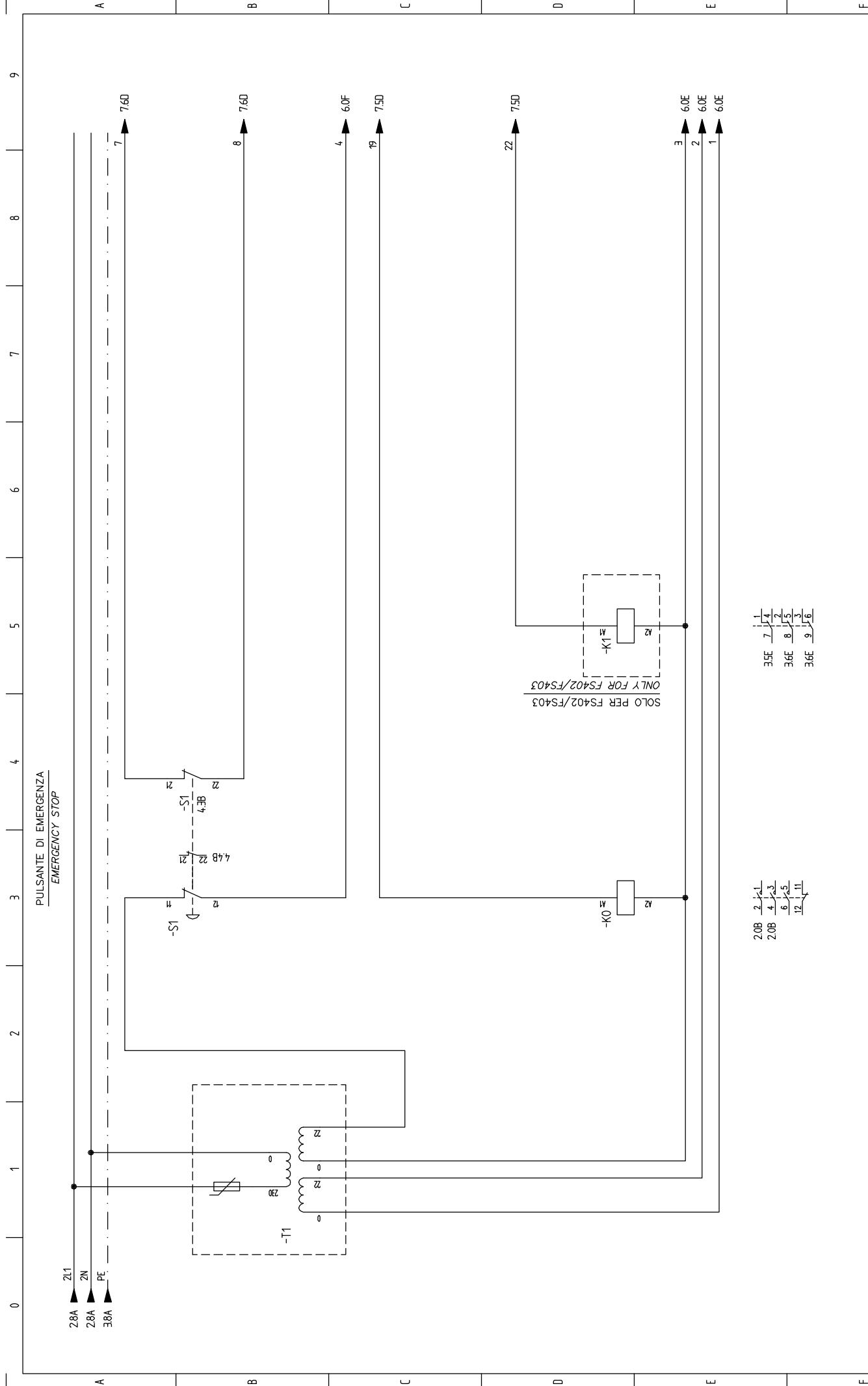
FRENO
FILM 2
BRAKE
FILM 2



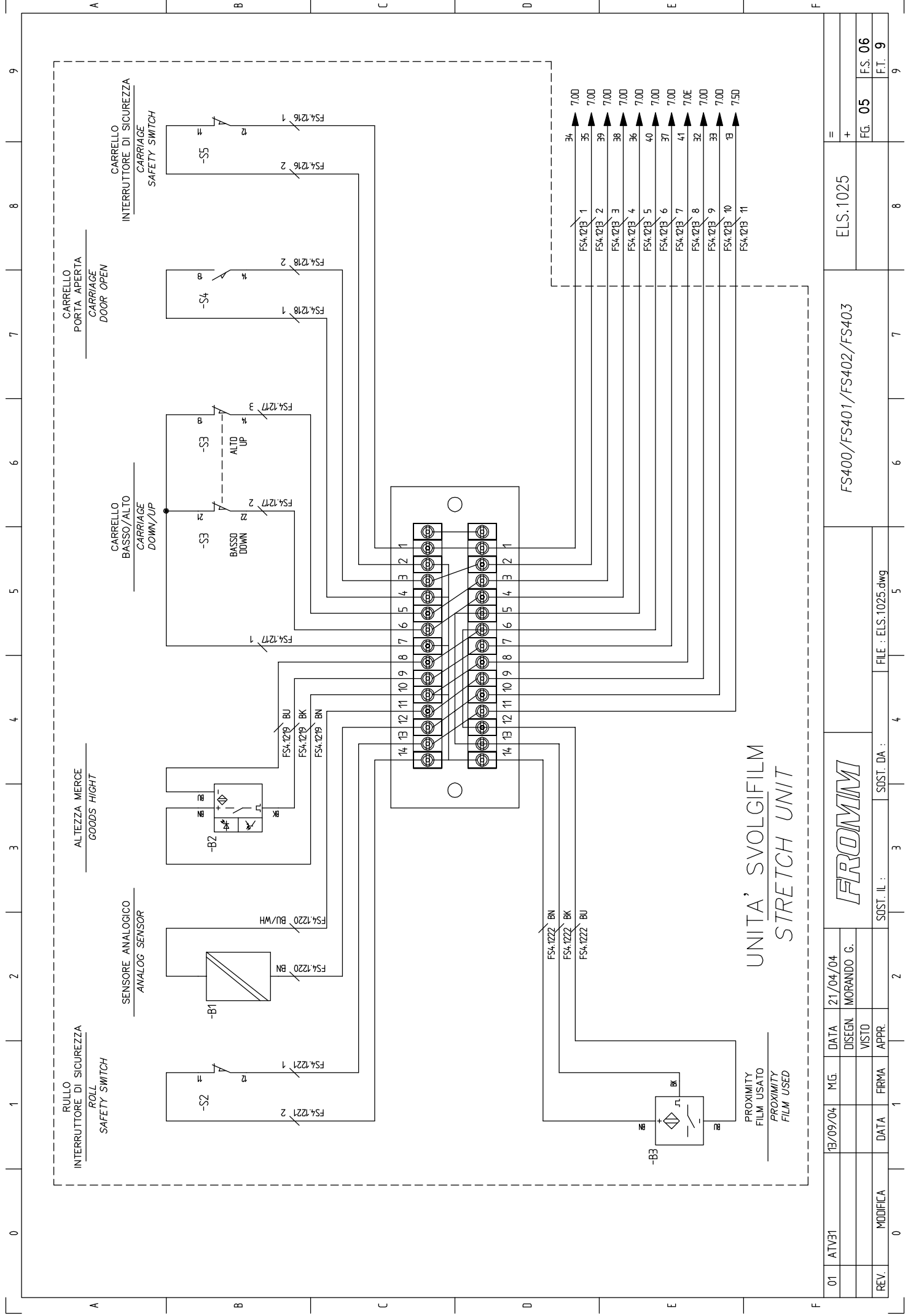
TRAZIONE FILM 1 / TRACTION FILM 1

SOLO PER FS402/FS403 / ONLY FOR FS402/FS403

FROMM			
01	ATV31	18/09/04	M.G.
		21/04/04	MORANDO G.
		DISIGN	
		VISTO	
		APPR.	
	MODIFICA	DATA	FIRMA
		SOIST. IL :	SOIST. DA :
			FILE : ELS.1025.dwg
FS400/FS401/FS402/FS403		ELS.1025	
FG. 03	FS. 04		
F.T. 9			



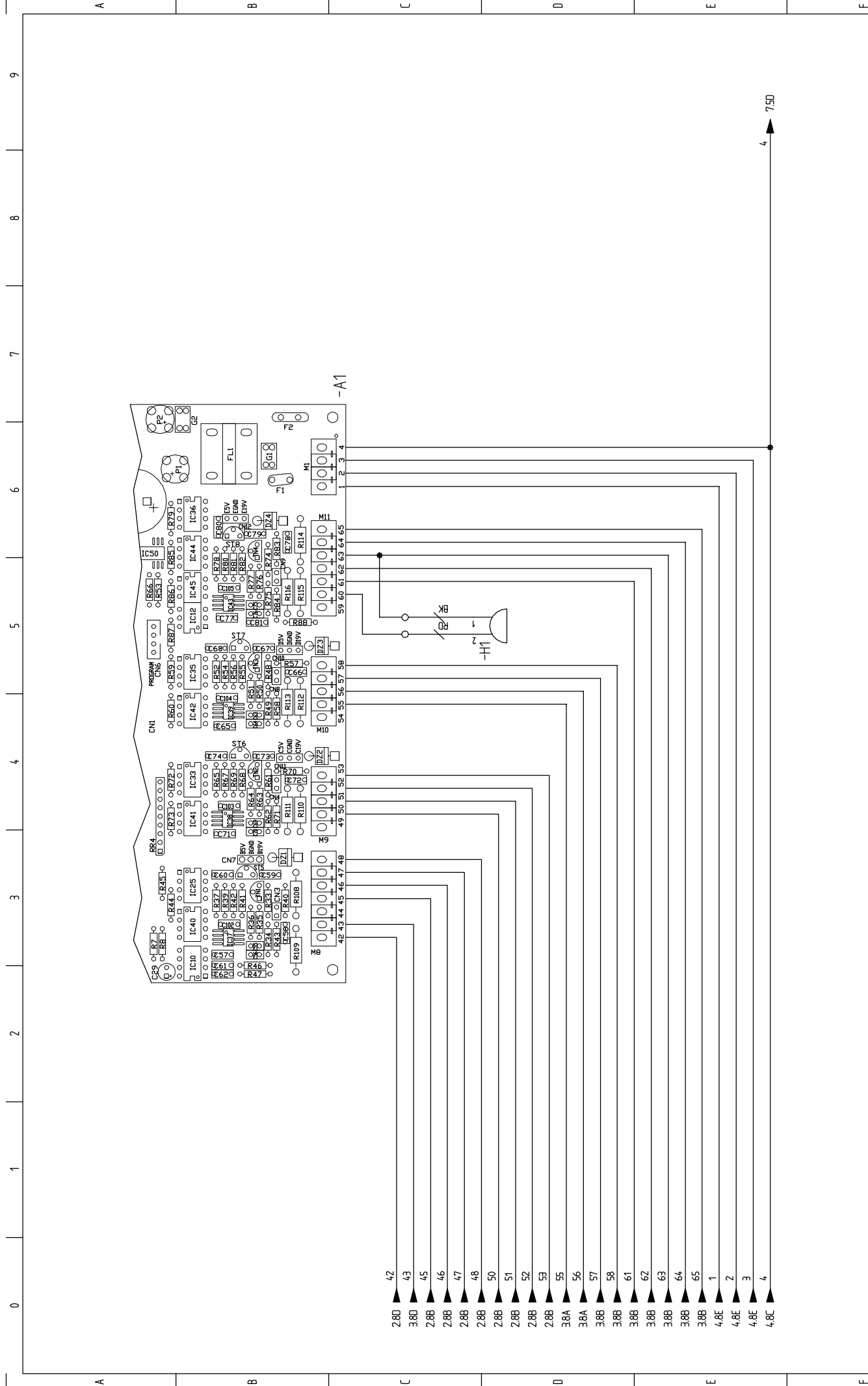
01	ATV31	18/09/04	M.G.	DATA	21/04/04	MORANDO G.	FS400/FS401/FS402/FS403		ELS.1025	=
				DISEGN						+
				VISTO					FG. 04	FS. 05
REV.	MODIFICA	DATA	FIRMA	APPR.					I.T. 9	9
					SOIST. IL. :	3	SOIST. DA. :	4	5	6
					FILE :	ELS.1025.dwg		7	8	9



UNITA' SVOLGIFILM
STRETCH UNIT

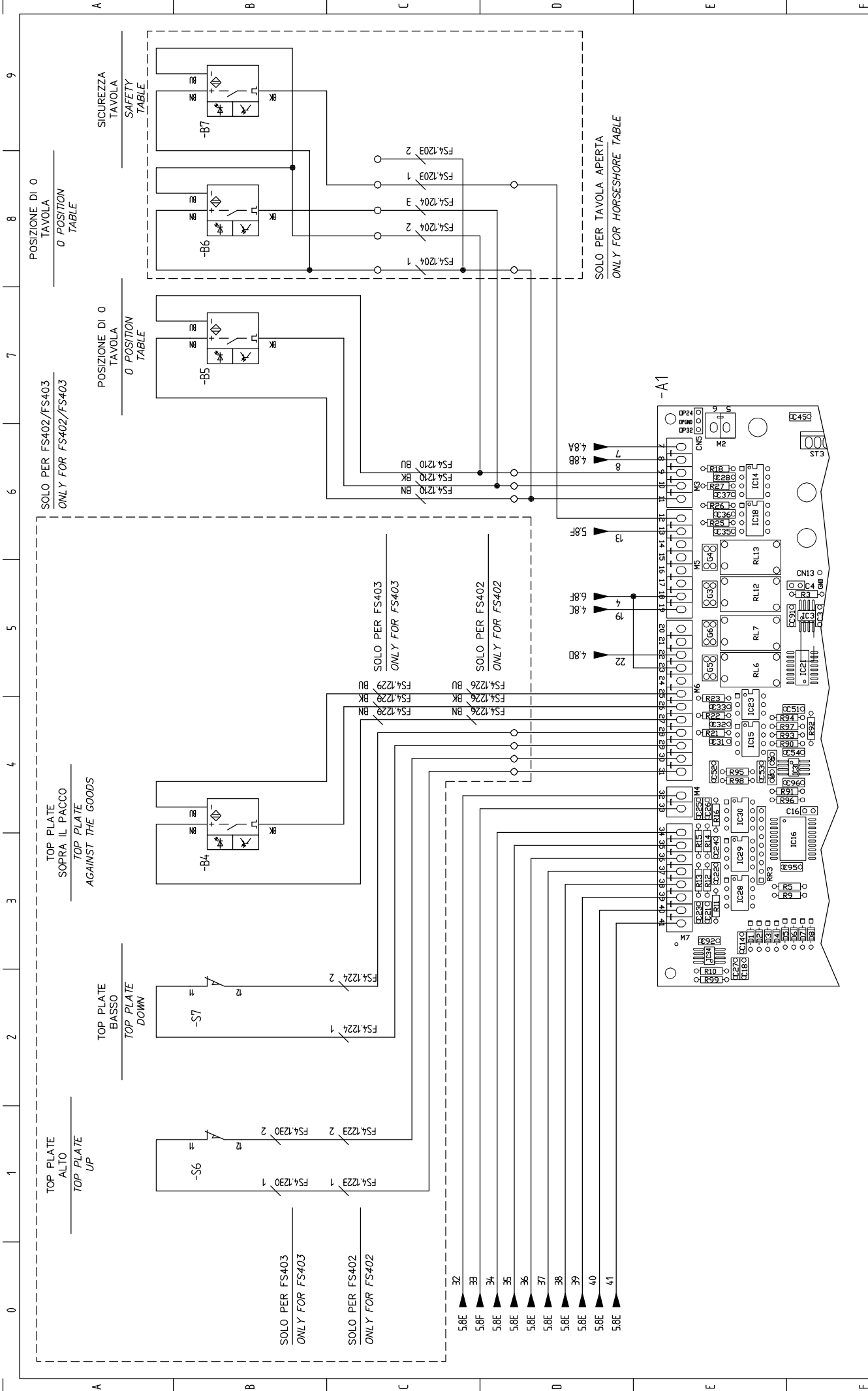
01	ATV31	13/09/04	M.G.	DATA	21/04/04	DESIGN	MORANDO G.	ELS.1025	
REV.	MODIFICA	DATA	FIRMA	APPR.				FS400/FS401/FS402/FS403	
									FG. 05
									FS. 06
									F.T. 9
									9

FILE : ELS.1025.dwg

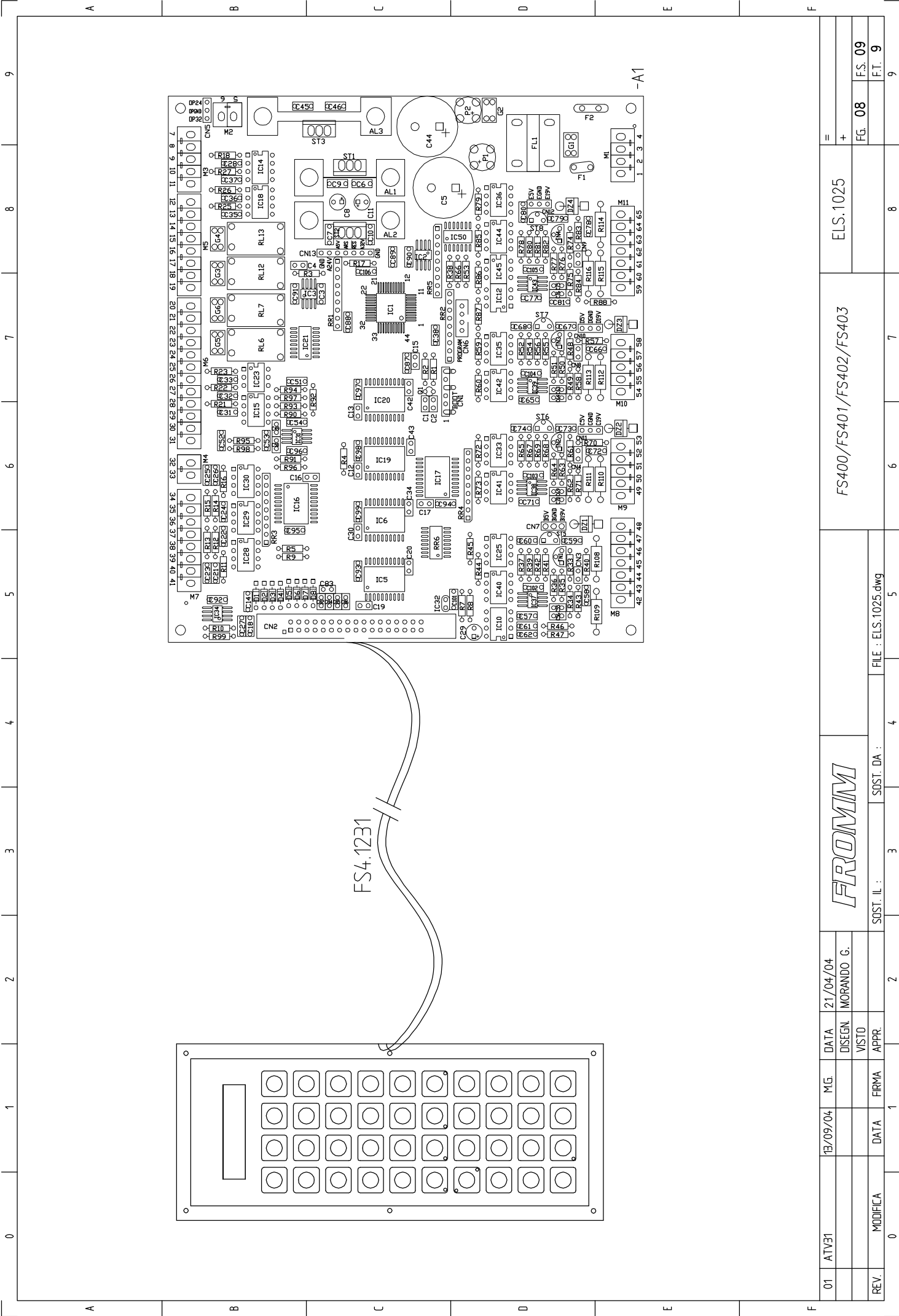


01	ATV31	18/09/04	M.G.	DATA	21/04/04	FROMM		FS400/FS401/FS402/FS403		ELS.1025		=
				DISEGN	MORANDO G.							+
REV.	MODIFICA	DATA	FIRMA	APPR.								FG. 06
0												F.T. 9
												9

FILE : ELS.1025.dwg



01	ATV31	18/09/04	M.G.	DATA	21/04/04	DISIGN	MORANDO G.	FILE : ELS.1025.dwg			
				VISTO		ICET					
REV.	MODIFICA	DATA	FIRMA	APPR.	2	SOST. IL :					
					3	SOST. DA :					
					4						
					5						
					6						
					7						
					8						
					9						
FRONM											
				FS400/FS401/FS402/FS403				ELS.1025			
								FG. 07 FS. 08			
								F.T. 9			



01	ATV31	18/09/04	M.G.	DATA	21/04/04			ELS.1025		=
				DISEGN	MORANDO G.			FS400/FS401/FS402/FS403		+
				VISTO				FG. 08		FS. 09
				APPR.				F.T. 9		9
REV.	MODIFICA	DATA	FIRMA	APPR.		5	6	7	8	
0						FILE : ELS.1025.dwg				
						3	4			
						2				
						1				

FROMM

-A1

