



**ELS FS402/FS403 FROMM  
TURNTABLE STRETCH MACHINE  
ELS.1031\_Rev01  
Version 05 machines**

Print date Monday, 07 July 2014/ servisia/ © 07/14

# MODEL : FROMM FS 402

# MODEL : FROMM FS 403

Copy of this document, and giving it to other and the use or communication liable to the payment of damages. All rights are reserved in the event of the grant of a patent or the registration of a utility model or design.

PROGETTO  
BANCA DIS.  
TIPICO

01 CHANGE FROM ATV31 TO ATV32 28/04/11 L.B. DATA 04/05/06  
03 modif. to control cutting system 04/07/14 S.S. DISEGN MORANDO G. VISTO APPR.

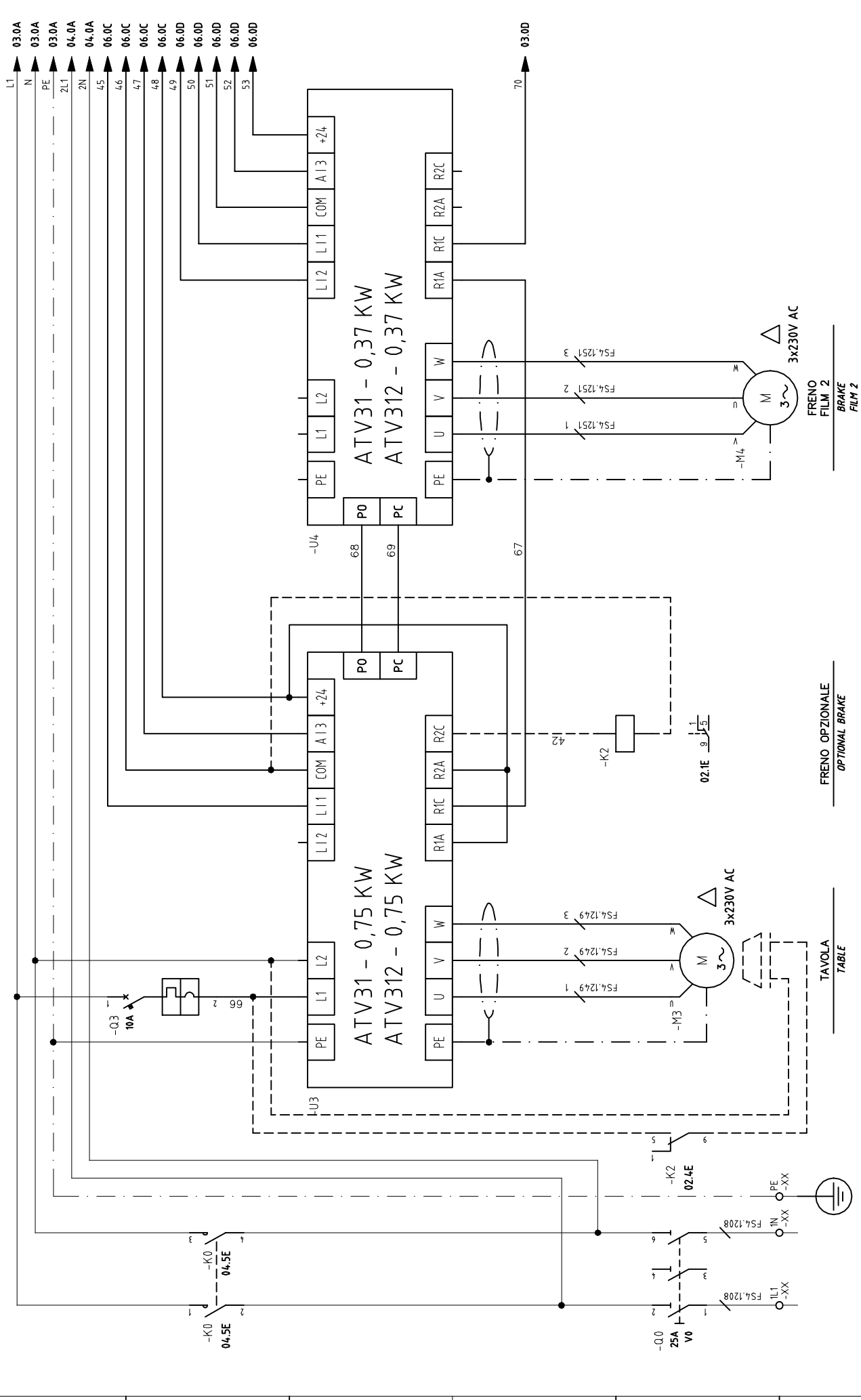
KIND OF CIRCUIT		COLORS CONDUCTORS	MINIMUM SECTION
POWER CONDUCTORS		BLACK	N07V-K/1,5mm <sup>2</sup>
NEUTRAL CONDUCTORS		LIGHT BLUE	N07V-K/1,5mm <sup>2</sup>
CONTROLS / SIGNALS ALTERNATING CURRENT	24V AC	RED	N07V-K/0,5mm <sup>2</sup>
CONTROLS / SIGNALS DIRECTING CURRENT	24V DC	BLUE	N07V-K/0,5mm <sup>2</sup>
GROUND CONDUCTORS		YELLOW-GREEN	N07V-K/1,5mm <sup>2</sup>
		<b>FROMM</b>	

TENSIONE POWER SUPPLY	230V ac
POTENZA INSTALLATA INSTALLED POWER	1,8kW
CORRENTE CURRENT	8A
FROMM WRAPPING SYSTEMS S.r.l. Caprino Veronese (VR) ITALY	
<b>FROMM</b>	
ELS.1031_Rev01	
FS402/FS403	
FILE ELS.1031_Rev01.dwg	

<b>FROMM</b>	
ELS.1031_Rev01	
FS402/FS403	
FILE ELS.1031_Rev01.dwg	
FOGLIO	
1	
T.F. 11	
E	
D	
C	
B	
A	

REV.	MODIFICA	DATA	FIRMA	APPR.	SOST. IL :	SOST. DA :
0					FILE ELS.1031_Rev01.dwg	FILE ELS.1031_Rev01.dwg
01	CHANGE FROM ATV31 TO ATV32	28/04/11	L.B.	DATA 04/05/06		
03	modif. to control cutting system	04/07/14	S.S.	DISEGN MORANDO G. VISTO APPR.		

9	8	7	6	5	4	3	2	1	0
---	---	---	---	---	---	---	---	---	---



FRENO OPZIONALE  
OPTIONAL BRAKE

FRENO FILM 2  
BRAKE FILM 2

REV.	MODIFICA	DATA	FIRMA	APPR.	SOST. IL :	SOST. DA :	FILE	ELS.1031_Rev01.dwg
01	CHANGE FROM ATV31 TO ATV312	28/04/11	L.B.	DATA	04/05/06			
03	modif. to control cutting system	04/07/14	S.S.	DISEGN	MORANDO G.	VISTO		

FROMMINI

FS402/FS403

ELS.1031\_Rev01

FC: 02 F.S.03  
F.T. 11

0 1 2 3 4 5 6 7 8 9

A

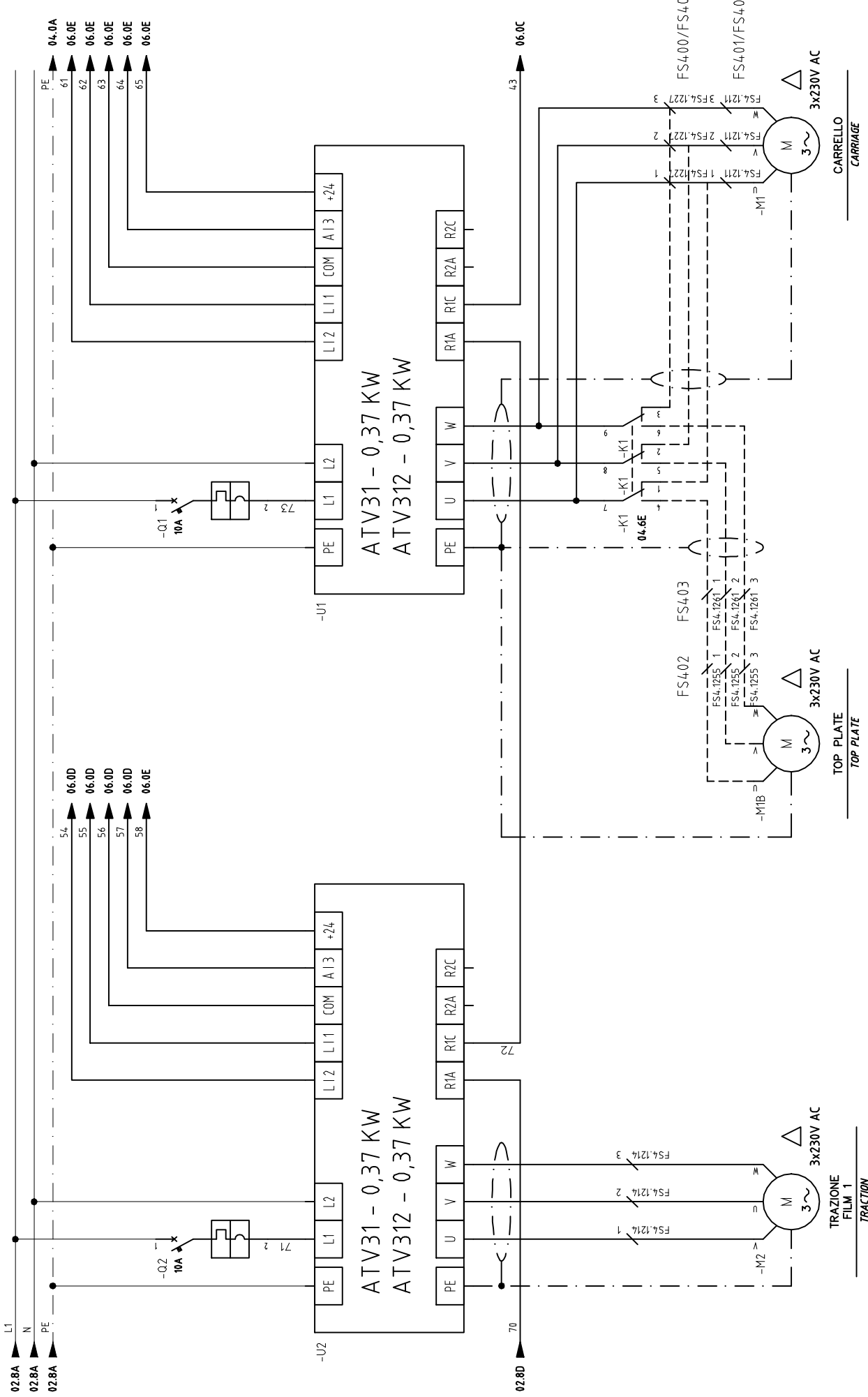
B

C

D

E

F



**FROMM**

FS402/FS403

ELS.1031\_Rev01

FILE ELS.1031\_Rev01.dwg

DATA 04/05/06  
DISEGN MORANDO G.

DATA 28/04/11  
S.S. 04/07/14

MODIFICA DATA FIRMA APPR.

VISTO

2

3

4

5

6

7

8

9

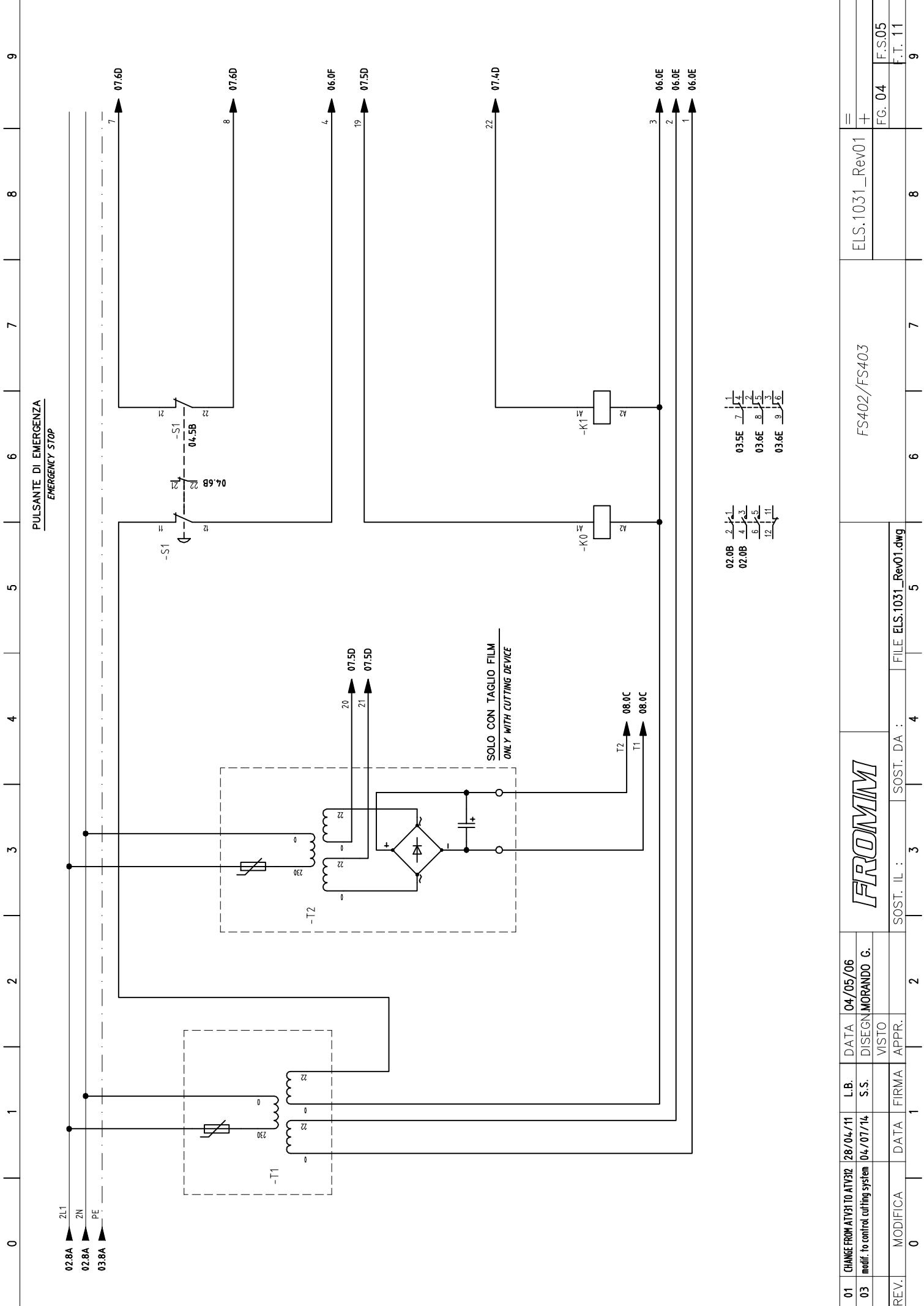
FC: 03

F.S.04

F.T. 11

+


=

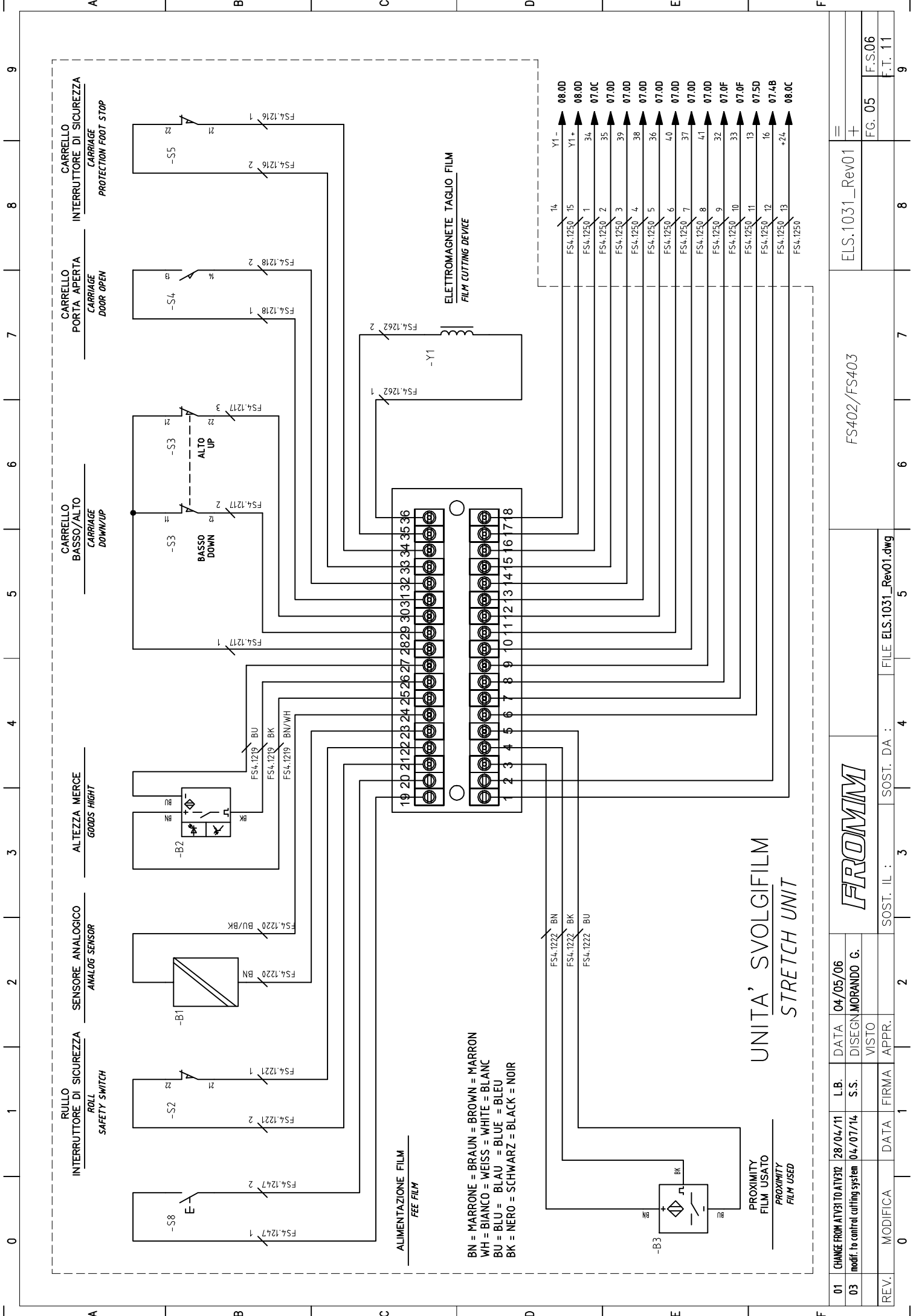


PULSANTE DI EMERGENZA  
EMERGENCY STOP

SOLO CON TAGLIO FILM  
ONLY WITH CUTTING DEVICE



01	CHANGE FROM ATV31 TO ATV32	28/04/11	L.B.	DATA	04/05/06				FS402/FS403			ELS.1031_Rev01		
03	modif. to control cutting system	04/07/14	S.S.	DISIGN	MORANDO G.				FILE ELS.1031_Rev01.dwg			FC: 04		
REV.	MODIFICA	DATA	FIRMA	VISTO	APPR.	SOST. IL :	3	SOST. DA :	4	FILE	6	7	8	9



ALIMENTAZIONE FILM  
FEE FILM

BN = MARRONE = BRAUN = BROWN = MARRON  
 WH = BIANCO = WEISS = WHITE = BLANC  
 BU = BLU = BLAU = BLUE = BLEU  
 BK = NERO = SCHWARZ = BLACK = NDIR

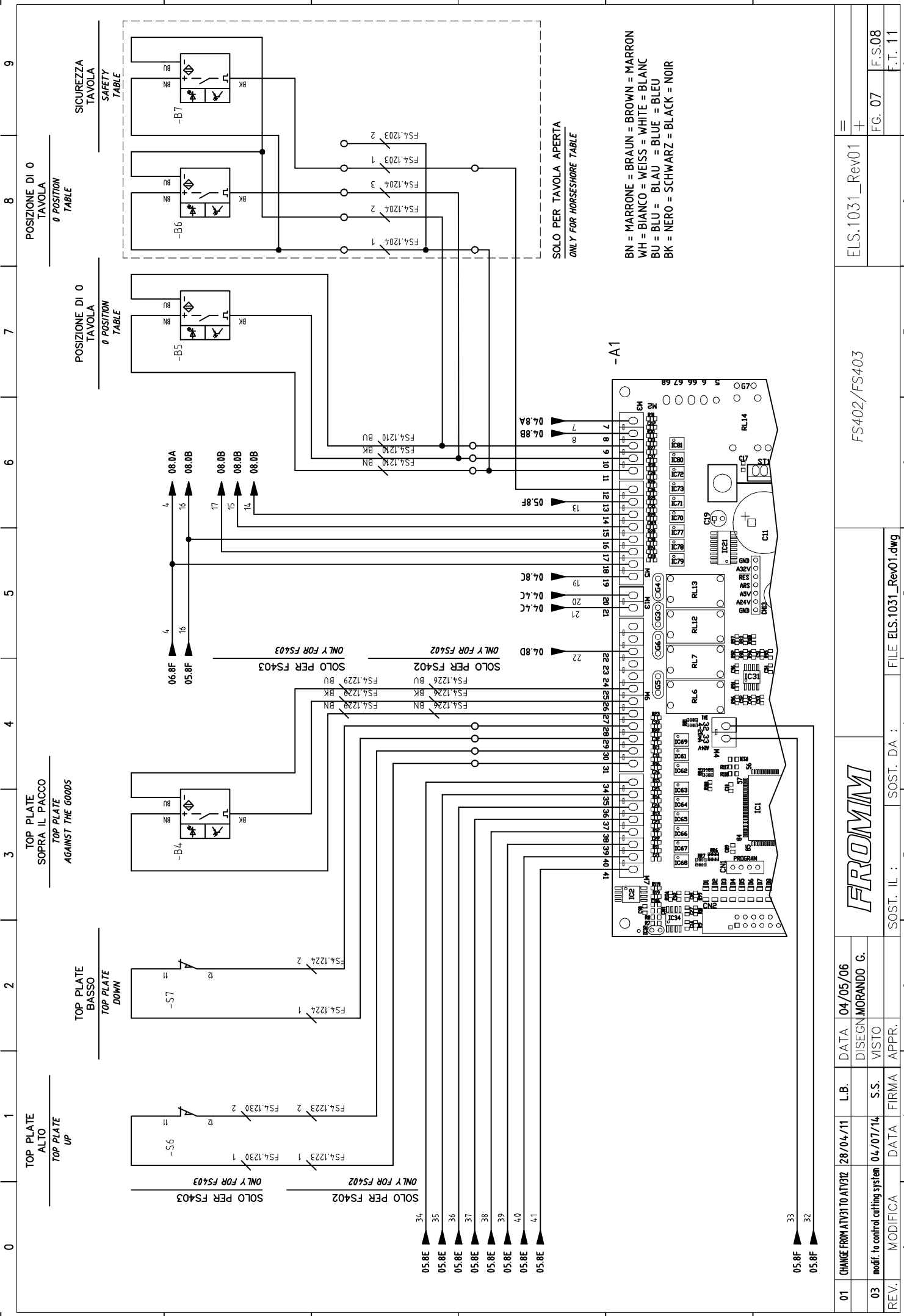
ELETTROMAGNETE TAGLIO FILM  
FILM CUTTING DEVICE

UNITA' SVOLGIFILM  
STRETCH UNIT

PROXIMITY FILM USATO  
PROXIMITY FILM USED

01	CHANGE FROM ATV31 TO ATV312	28/04/11	L.B.	DATA	04/05/06	ELS.1031_Rev01		8	9
03	modif. to control cutting system	04/07/14	S.S.	DESIGN	MORANDO G.	FC. 05		F.S.06	
REV.	MODIFICA	DATA	FIRMA	APPR.	VISTO	FILE ELS.1031_Rev01.dwg		F.T. 11	
				SOST. DA :					
				SOST. IL :					
				SOST. DA :					
				SOST. IL :					
				SOST. DA :					
				SOST. IL :					
				SOST. DA :					
				SOST. IL :					





FC: 07	F.T. 11
ELS.1031_Rev01	=
+	9

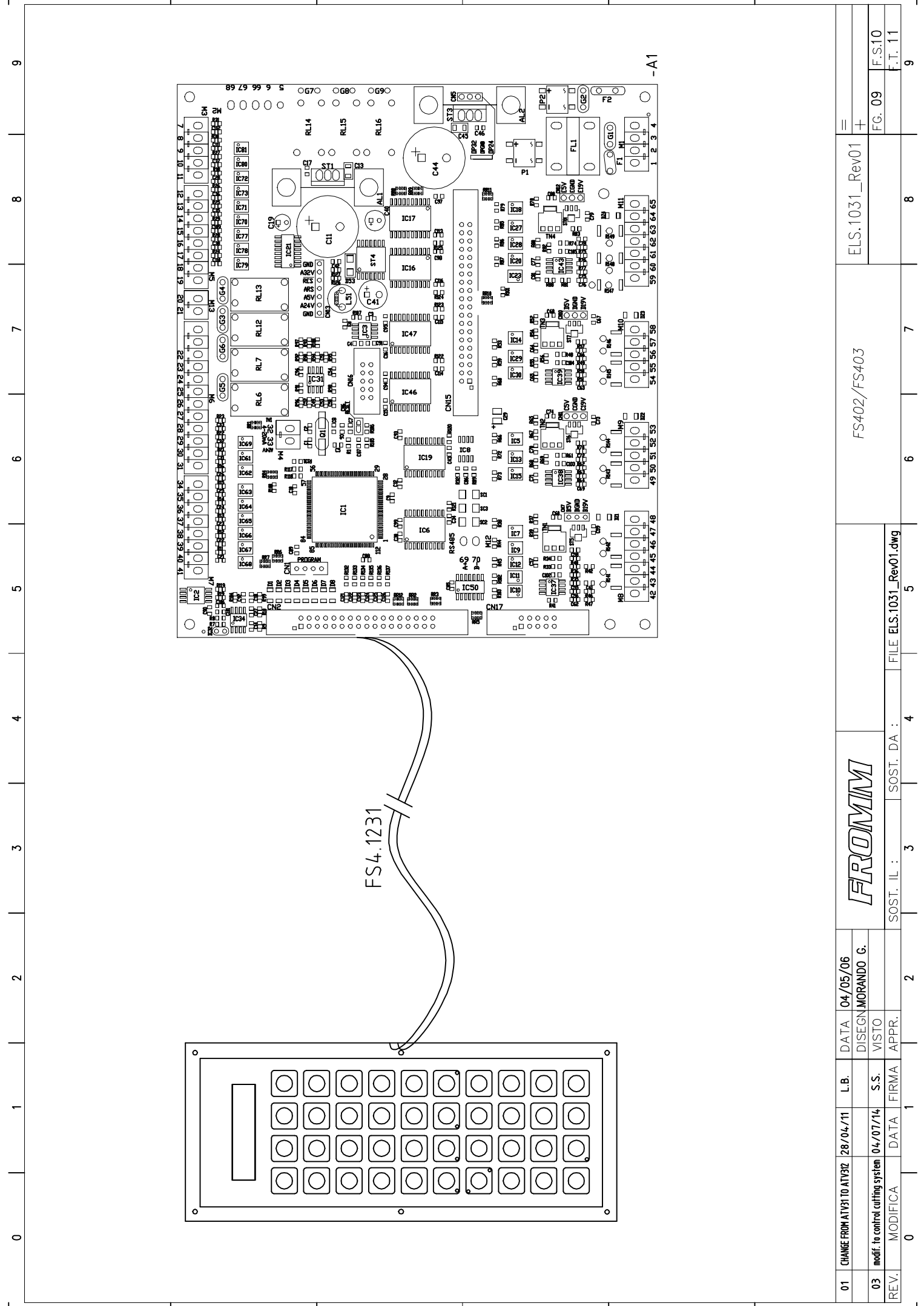
FS402/FS403

REV.		MODIFICA		DATA		FIRMA		APPR.	
01		CHANGE FROM ATV31 TO ATV32		28/04/11		L.B.		DATA 04/05/06	
03		modif. to control cutting system		04/07/14		S.S.		VISTO DESIGN MORANDO G.	
SOST. IL :			SOST. DA :			FILE ELS.1031_Rev01.dwg			
0		1		2		3		4	
5		6		7		8		9	

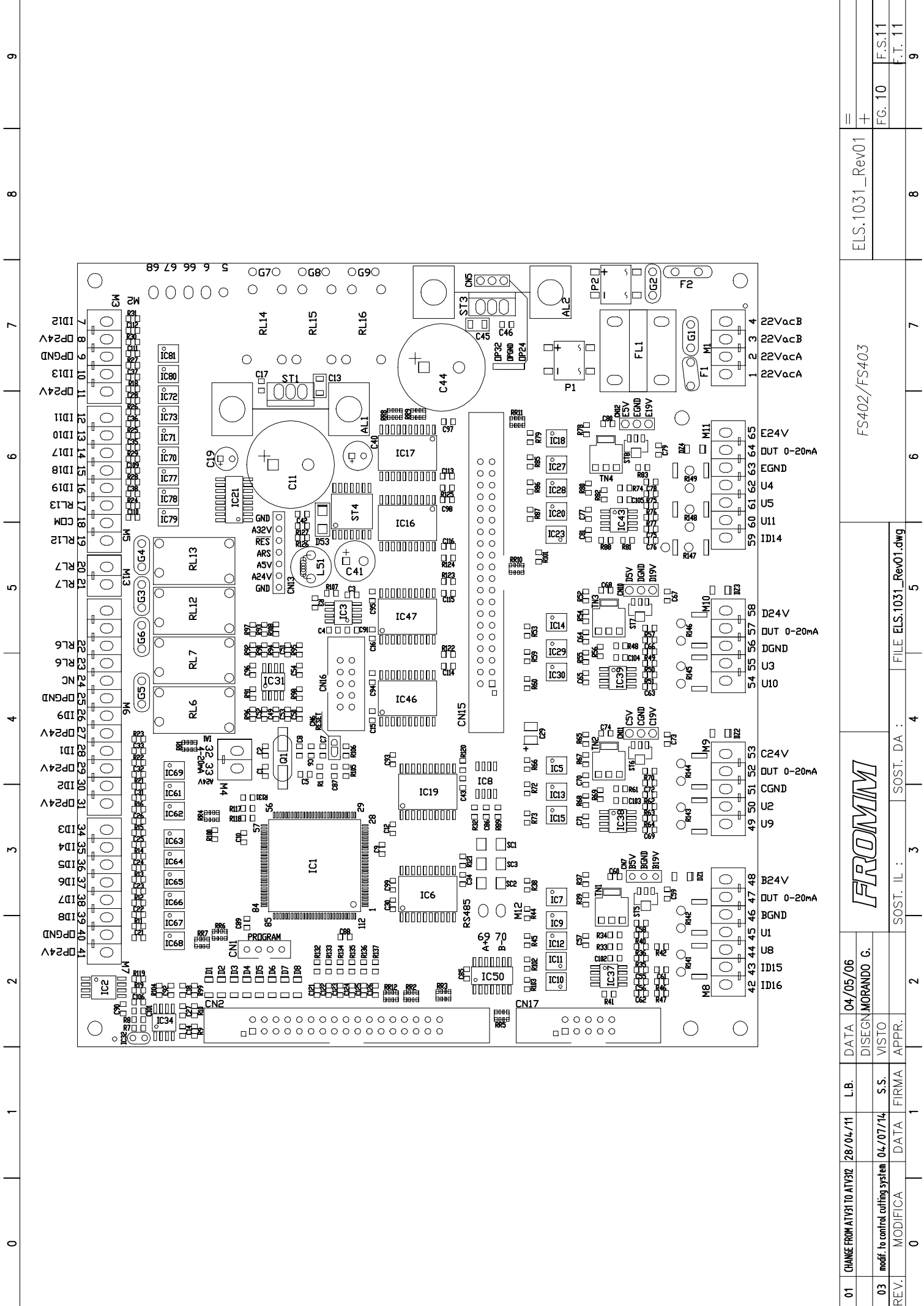
**FROMM**







01	CHANGE FROM ATV31 TO ATV32	28/04/11	L.B.	DATA	04/05/06	FROMMINI			FS402/FS403			ELS.1031_Rev01			
03	modif. to control cutting system	04/07/14	S.S.	VISTO								FC: 09			
REV.	MODIFICA	DATA	FIRMA	APPR.		0	1	2	3	4	5	6	7	8	9
									FILE ELS.1031_Rev01.dwg						



01	CHANGE FROM AT131 TO AT132	28/04/11	L.B.	DATA	04/05/06
03	modif. to control calling system	04/07/14	S.S.	VISTO	
REV.	MODIFICA	DATA	FIRMA	APPR.	

SOST. IL : 3  
SOST. DA : 4  
FILE ELS.1031\_Rev01.dwg

ELS.1031\_Rev01

FS402/FS403					
E24V					
DUT 0-20mA					
EGND					
U4					
U5					
U11					
ID14					
D24V					
DUT 0-20mA					
DGND					
U3					
U10					
C24V					
DUT 0-20mA					
CGND					
U2					
U9					
B24V					
DUT 0-20mA					
BGND					
U1					
U8					
ID15					
ID16					

