

FROMM

**ELS FS11x FROMM
TURNTABLE STRETCH MACHINE
ELS.1056
Version 01 machines
Rev.01**

Print date Wednesday, 20 April 2011/ servisia/ © 04/11

MODEL : FROMM FS 100 OP1

Copy of this document, and giving it to other and the use or communication of the contents thereof, are forbidden without express authority. Offenders are liable to the payment of damages. All rights are reserved in the event of the grant of a patent or the registration of a utility model or design.

PROGETTO
BANCA DIS.
TIPICO

1	TAVOLA 1650	13/04/11	VICENTINI F.	VISTO	
REV.	MODIFICA	DATA	FIRMA	APPR.	

KIND OF CIRCUIT		COLORS CONDUCTORS	MINIMUM SECTION
POWER CONDUCTORS		BLACK	N07V-K/1,5mm ²
NEUTRAL CONDUCTORS		LIGHT BLUE	N07V-K/1,5mm ²
CONTROLS / SIGNALS ALTERNATING CURRENT	22V AC	RED	N07V-K/0,75mm ²
CONTROLS / SIGNALS DIRECTING CURRENT	24V DC	BLUE	N07V-K/0,75mm ²
GROUND CONDUCTORS		YELLOW-GREEN	N07V-K/1,5mm ²



SOST. IL :	3	SOST. DA :	4
FILE :	.ELS.1056.dwg		

TENSIONE POWER SUPPLY	230V ac
POTENZA INSTALLATA INSTALLED POWER	1,0kW
CORRENTE CURRENT	5A
FROMM ITALIANA S.r.l. Caprino Veronese (VR) ITALY	

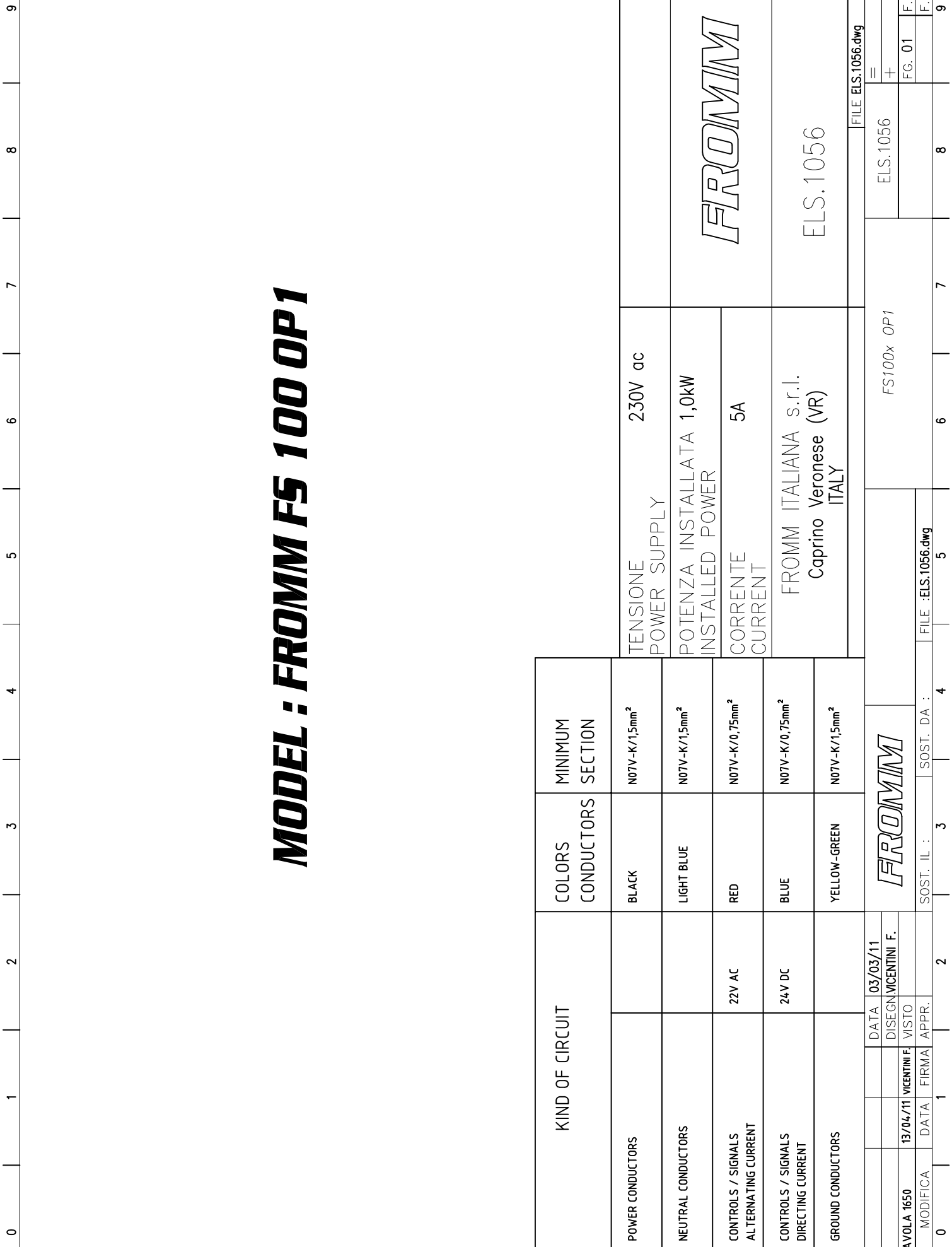


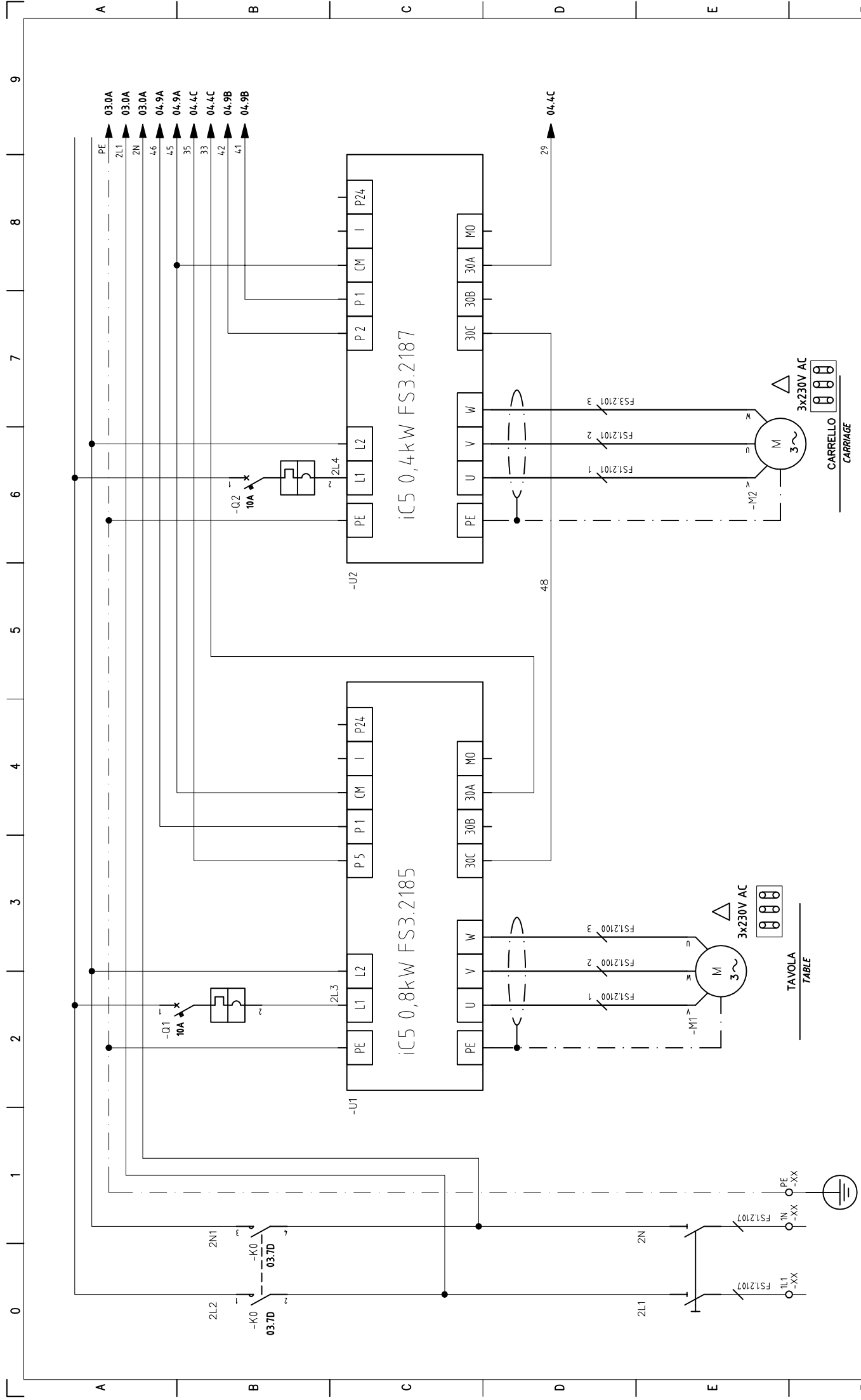
ELS.1056

FILE ELS.1056.dwg

ELS.1056	
FC. 01	F.S.02
T.F. 6	F.T. 6

FOGLIO	1
T.F.	6



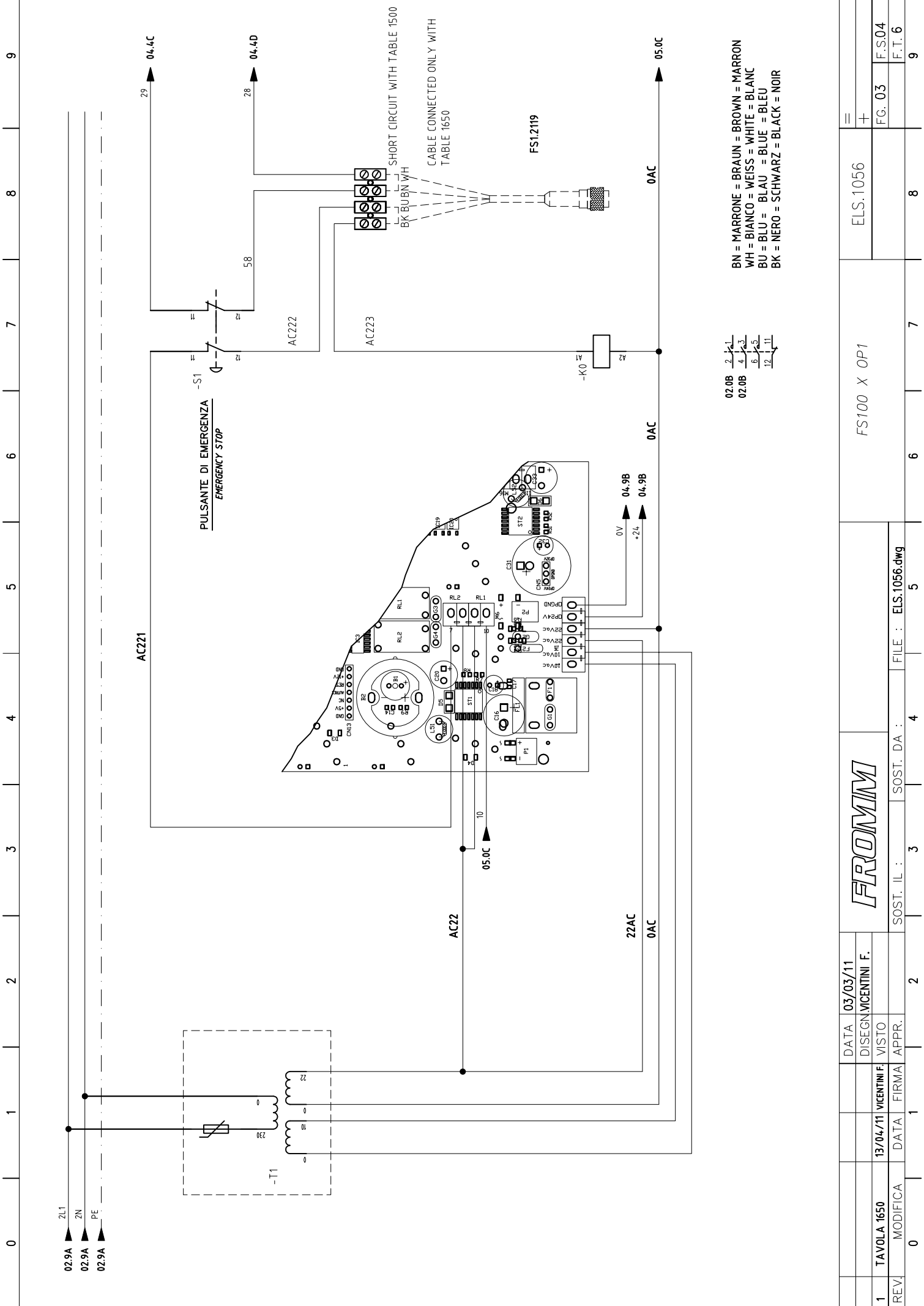


1	TAVOLA 1650 MODIFICA	DATA 13/04/11 VICENTINI F.	VISTO	FILE : ELS.1056.dwg	4	SOST. DA :	3	SOST. IL :	2	5	FILE : ELS.1056.dwg	4	8	9	FC. 02	F.S.03	F.T. 6
												ELS.1056					
												FS31X OP1					

FROMM

TAVOLA
TABLE

CARRELLO
CARRIAGE



02.0B 2 1
 02.0B 4 3
 6 5
 12 11

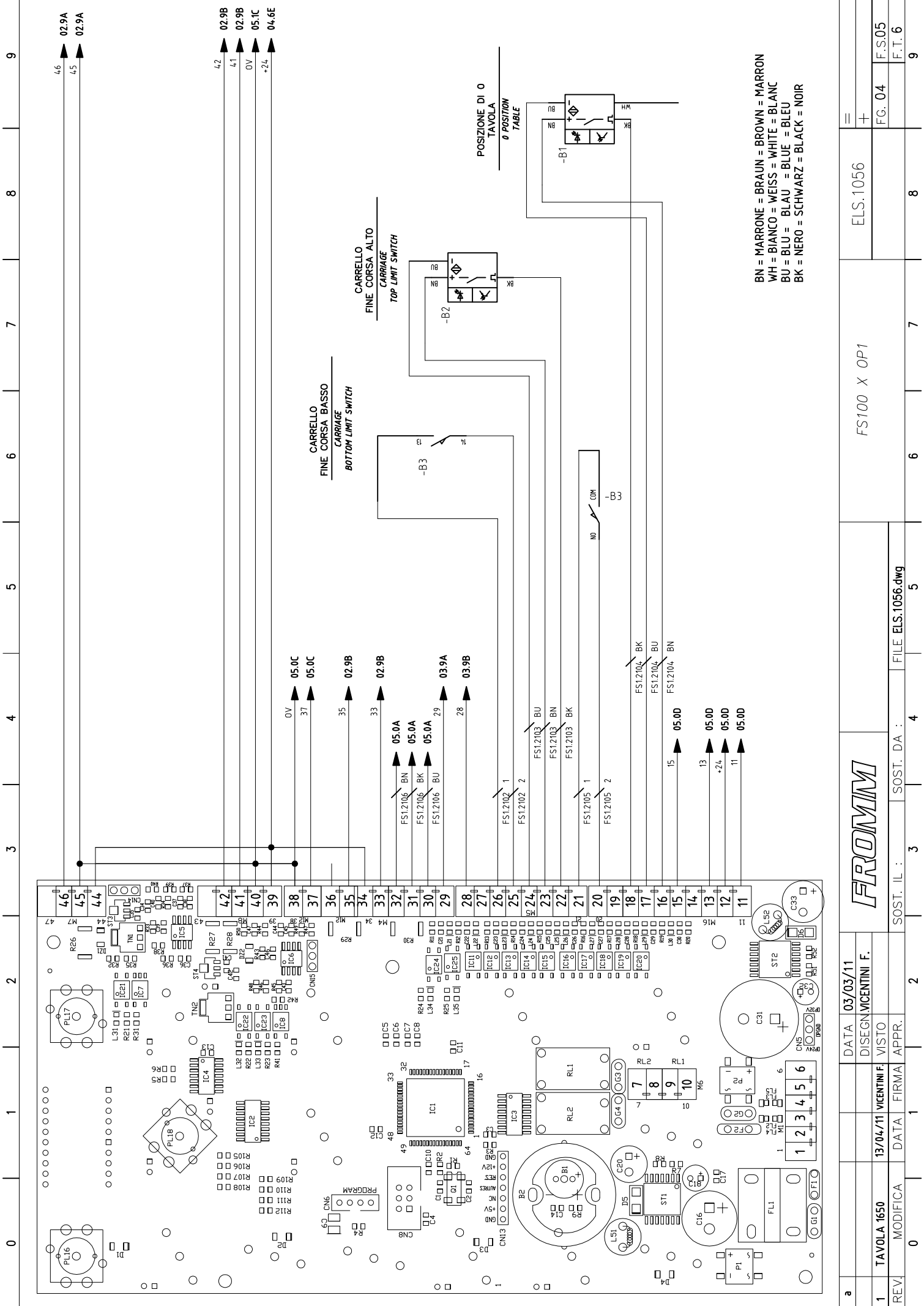
BN = MARRONE = BRAUN = BROWN
 WH = BIANCO = WEISS = WHITE = BLANC
 BU = BLU = BLAU = BLUE = BLEU
 BK = NERO = SCHWARZ = BLACK = NOIR

FROMM

FS100 X OP1

ELS.1056

DATA	03/03/11								
DESIGN	VICENTINI F.								
VISTO									
DATA	13/04/11								
FIRMA									
APPR.									
SOST. IL :		3		5		7		8	9
SOST. DA :									
FILE :	ELS.1056.dwg								



BN = MARRONE = BRAUN = BROWN = MARRON
 WH = BIANCO = WEISS = WHITE = BLANC
 BU = BLU = BLAU = BLUE = BLEU
 BK = NERO = SCHWARZ = BLACK = NOIR

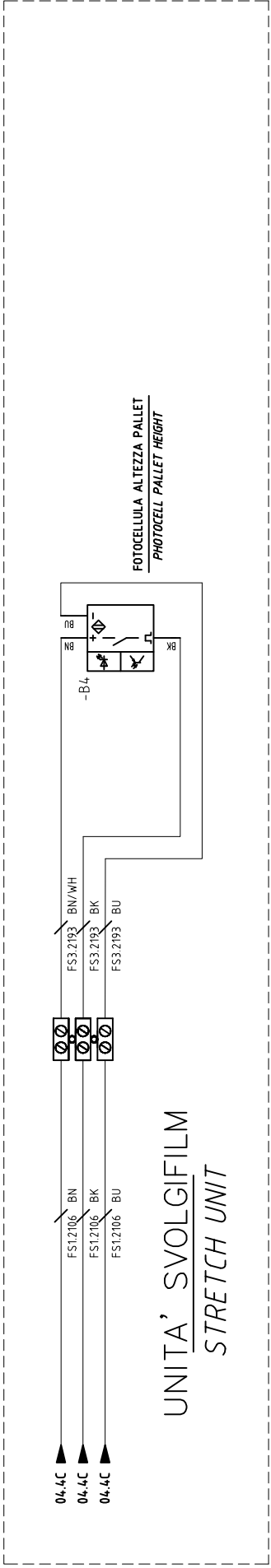
FROMM

FS100 X OP1

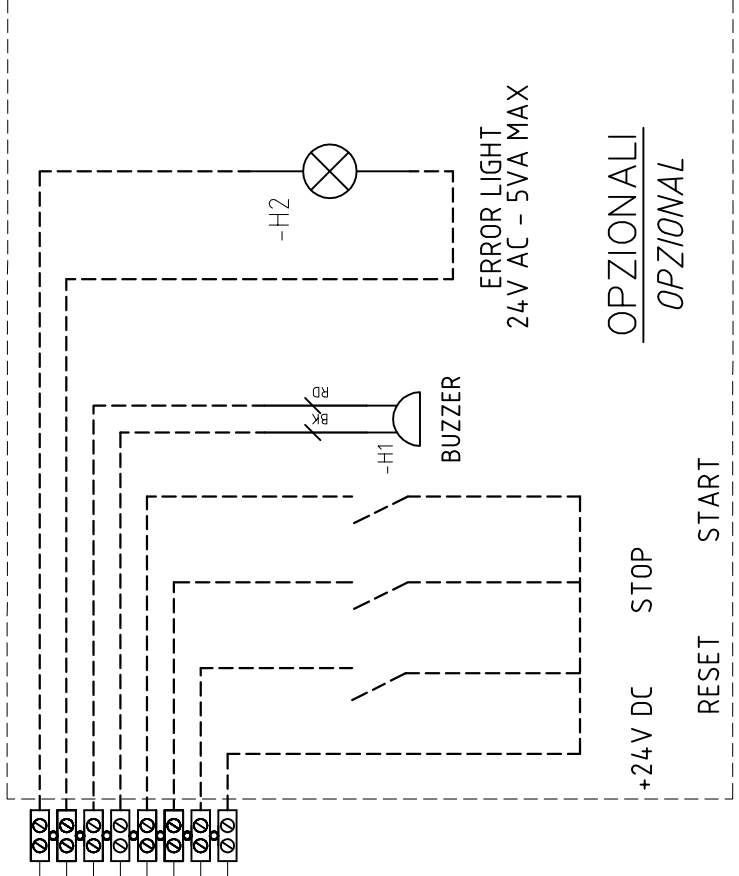
ELS.1056

REV. 1	TAVOLA 1650	DATA 13/04/11	VICENTINI F.	DESIGN	VICENTINI F.	VISTO	FC. 04	F.S.05
0	MODIFICA	DATA	FIRMA	APPR.	SOST. IL :	3	SOST. DA :	4
1						2		
2						3		
3						4		
4						5		
5						6		
6						7		
7						8		
8						9		
9								

FILE ELS.1056.dwg



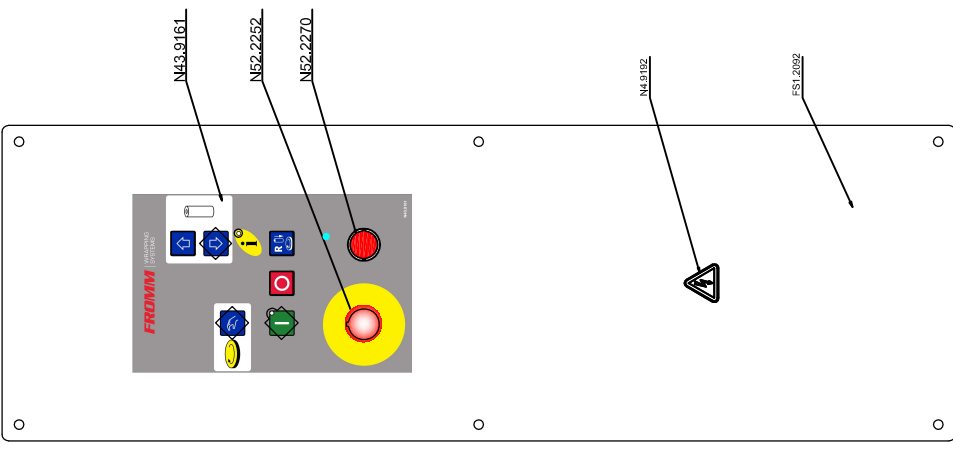
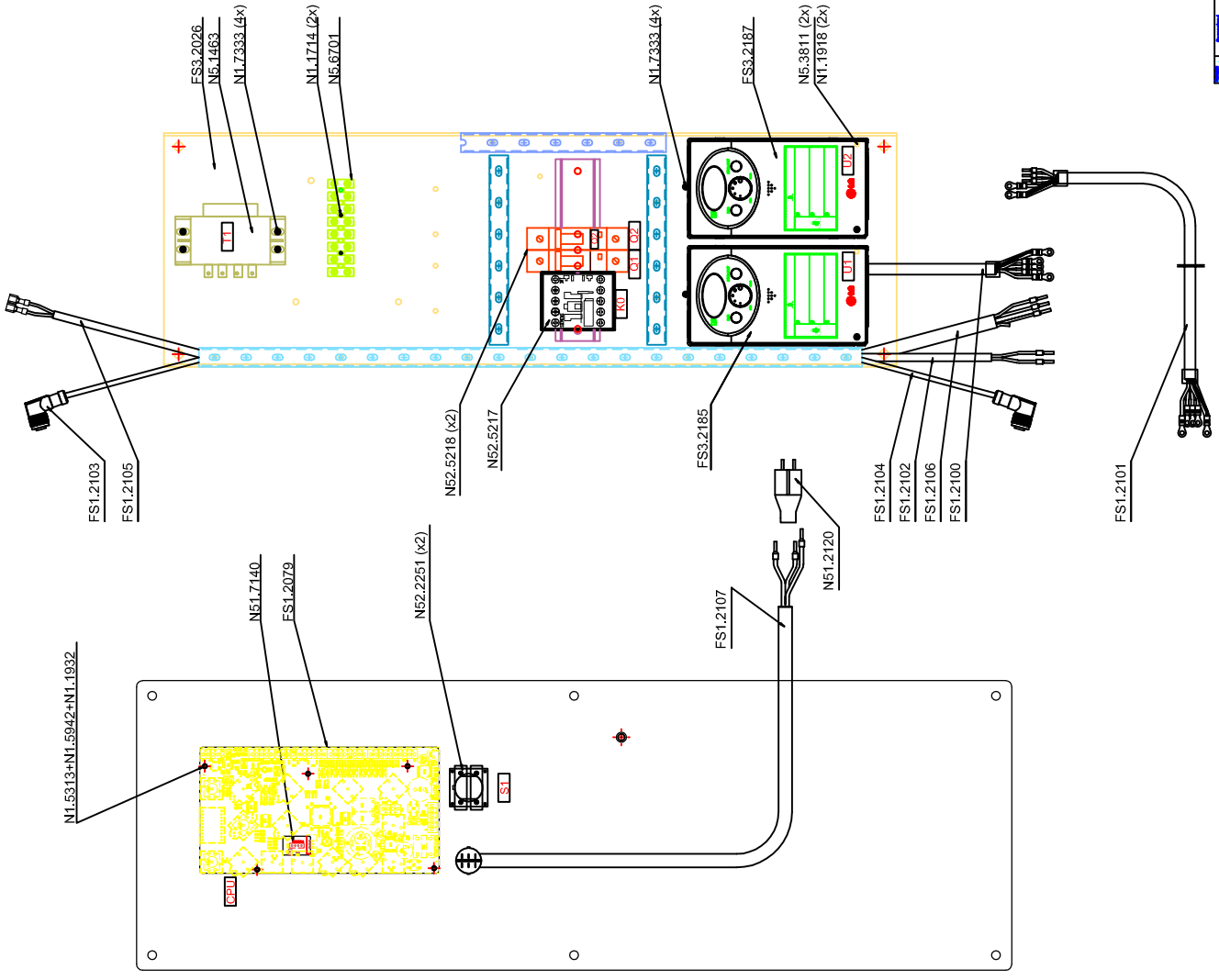
UNITA' SVOLGIFILM
STRETCH UNIT



OPZIONALI
OPZIONAL

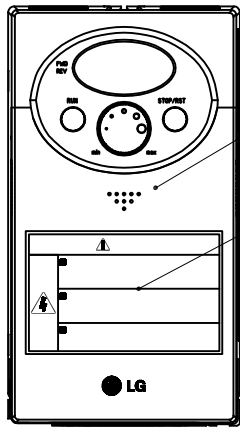
BN = MARRONE = BROWN = MARRON
WH = BIANCO = WHITE = BLANC
BU = BLU = BLUE = BLEU
BK = NERO = SCHWARZ = BLACK = NOIR

		DATA 03/03/11		E.LS.1056		=	
		DISEGN VICENTINI F.		FS100 X OP1		+	
1 TAVOLA 1650		13/04/11 VICENTINI F				FC. 05 F.S.06	
REV.	MODIFICA	DATA	FIRMA	APPR.			F.T. 6
0		SOST. IL :	3	SOST. DA :	4	FILE :ELS.1056.dwg	9



FROMM	SWITCH CABINET OP1 FS100	FS1.0210
FROMM	SWITCH CABINET OP1 FS100	FS1.0210

Aenderungen:
 Modifiche:
 @
 Aggiunti
 nuovi
 parametri
 diversi
 dal
 default
 (F4-F8-
 F9-F10-
 F11)



1
 2 PARAMETER LIST

iC5 - 0.8kW - 230V - Table OP1 - 28/10/2008 - 14.53.50

-----[DRV]-----

Cmd	40.00	Hz	Keypad Frequency
Acc	4.0	sec	Acceleration time 0
Dec	4.0	sec	Deceleration time 0

-----[FU1]-----

F4	1		Stop via DC brake
F8	8.5	Hz	DC brake start frequency
F9	0	sec	DC brake wait time
F10	80	%	DC brake woltage
F11	0.5	sec	DC brake time
F14	0.1	sec	Motor Magnetizing time
F22	50.00	Hz	Base Frequency
F23	0.10	Hz	Start Frequency
F27	1		Man/Auto Torque select

-----[FU2]-----

H33	2.7	A	Motor rated current
H34	1.4	A	No load motor current
H40	3		Control mode
H46	50		Sensorless I Gain

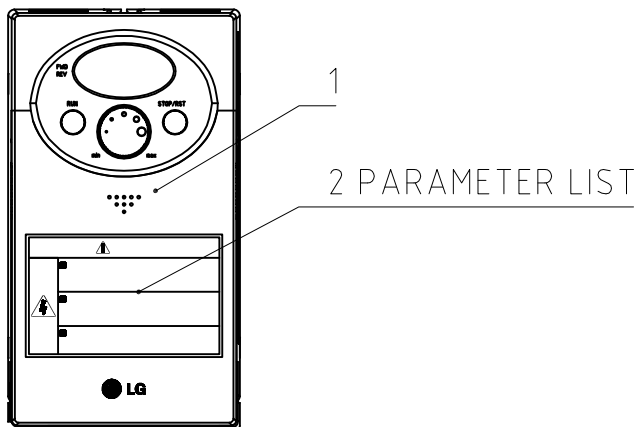
-----[IO]-----

I12	0.00	mA	I input minimum current
I55	16		30-A/B/C output working

1	FILE DI PROGRAMMAZIONE	2	PARAMETER LIST			
	INVERTER TABLE OP1	1	LS INDUSTRIAL SYSTEMS		N5.5475	SV08-iC5-1F

Gebrauch Zchg. Usa del disegno	Stueckzahl Numero pezzi	Gegenstand Oggetto	Pos.	Werkstoff Materiale	Gewicht/Stueck Peso/Pezzo	Bestandt. Nr. Elemento Nr.	Bemerkungen Osservazioni
	Rubrik Rubrica			kg.			
Freimass-Toleranzen/tolleranze della misure libere	Aenderungen: Modifiche: @				Keine Nessuna Stueckliste separat Lista pezzi separata	Ersetzt durch Sostituito da Ersatz fuer Sostituisce	
	Typ: Tipo:				Massstab Scala 1:1	Gezeichnet Disegnato	VICENTINI 28-10-2008
	INVERTER MOTOR TABLE OP1					Geprueft Controllato	Servisi 23-11-09
	FROMMM				FS3.2185		

Aenderungen:
 Modifiche:
 ⓐ
 Modificato
 scritta
 da 0.8Kw
 a 0.4Kw



iC5 - 0.4kW - 230V - Carriage OP1 - 25/02/2009 - 14.53.50

-----[DRV]-----
 Acc 0.1 sec Acceleration time 0
 Dec 0.1 sec Deceleration time 0
 Frq 2 Freq. Setting mode

-----[FU1]-----
 F14 0.1 sec Motor Magnetizing time
 F22 50.00 Hz Base Frequency
 F23 0.10 Hz Start Frequency

-----[FU2]-----
 H33 1.3 A Motor rated current
 H34 0.8 A No load motor current
 H40 3 Control mode

-----[IO]-----
 I3 20.00 Hz Frequency related to I2
 I12 0.00 mA I input minimum current
 I55 16 30-A/B/C output working

1	FILE DI PROGRAMMAZIONE	2	PARAMETER LIST			
	INVERTER CARRIAGE OP1	1	LS INDUSTRIAL SYSTEMS		N51.5427	SV04-iC5-1F

Gebrauch Zchg. Usa del disegno	Stueckzahl Numero pezzi	Gegenstand Oggetto	Pos.	Werkstoff Materiale	Gewicht/Stueck Peso/Pezzo	Bestandt. Nr. Elemento Nr.	Bemerkungen Osservazioni
	Rubrik Rubrica			kg.			
Freimass-Toleranzen/Tolleranze della misure libere	Aenderungen: Modifiche: ⓐ				Keine Nessuna Stueckliste separat Lista pezzi separata	Ersetzt durch Sostituito da Ersatz fuer Sostituisce	
	Typ: Tipo:				Massstab Scala	Gezeichnet Disegnato	VICENTINI 28-10-2008
	INVERTER MOTOR CARRIAGE OP1				1:1	Geprueft Controllato	Servisi 23-11-09
	FROMMM				FS3.2187		