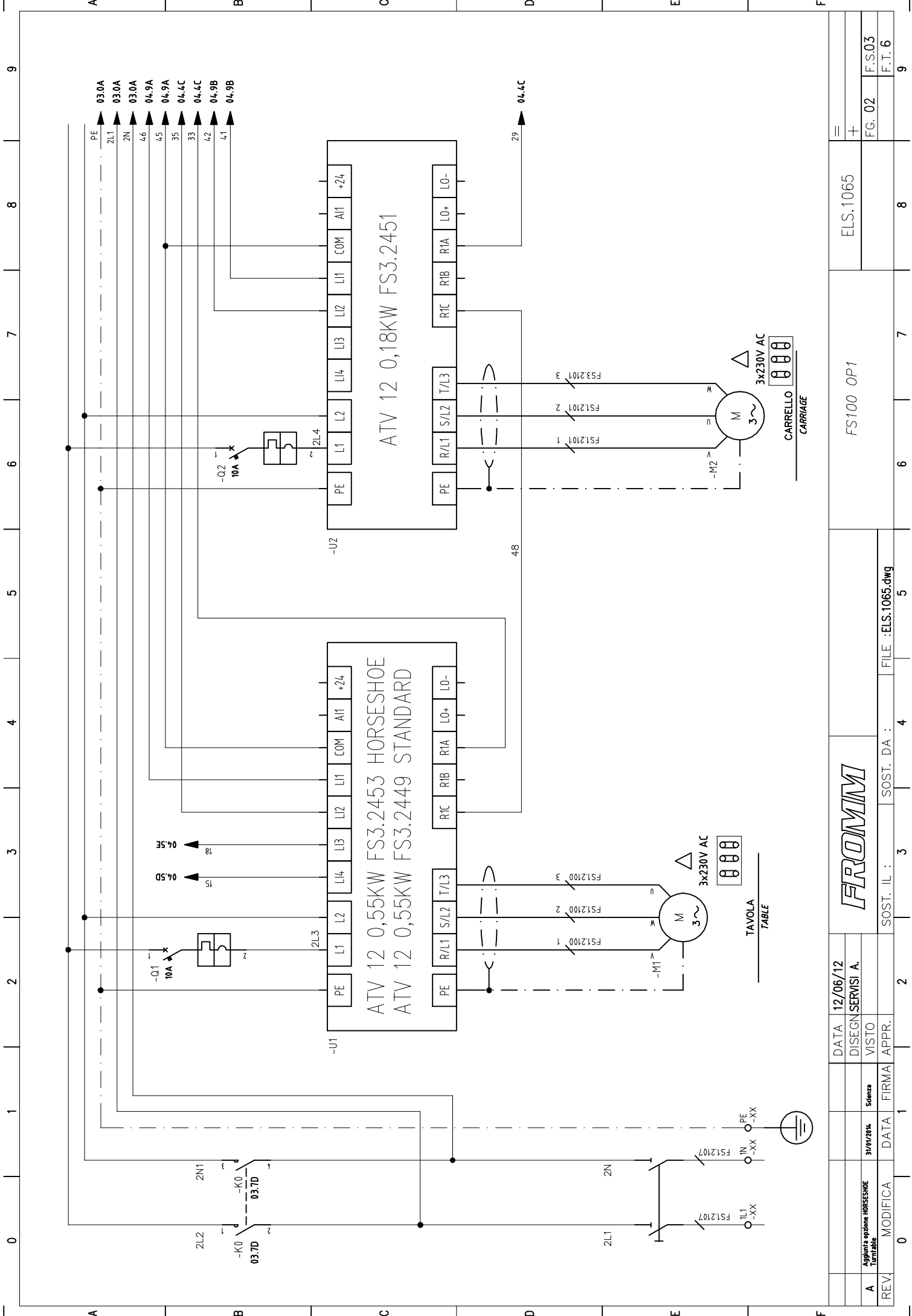


FROMM

**ELS FS11x FROMM
TURNTABLE STRETCH MACHINE
ELS.1065_Rev02
Version 03 machines**

Print date Friday, 31 October 2014/ servisia/ © 10/14



FROMM

DATA 12/06/12
 DISEGN SERVISI A.

Aggiunta opzione HORSESHOE
 Turntable

31/01/2014
 Scema

ELS.1065

FS100 OP1

FILE :ELS.1065.dwg

SOST. DA : 4

SOST. IL : 3

2

1

0

FC: 02
 F.S.03
 F.T. 6

+

8

7

6

5

4

3

2

1

9

TAVOLA
 TABLE

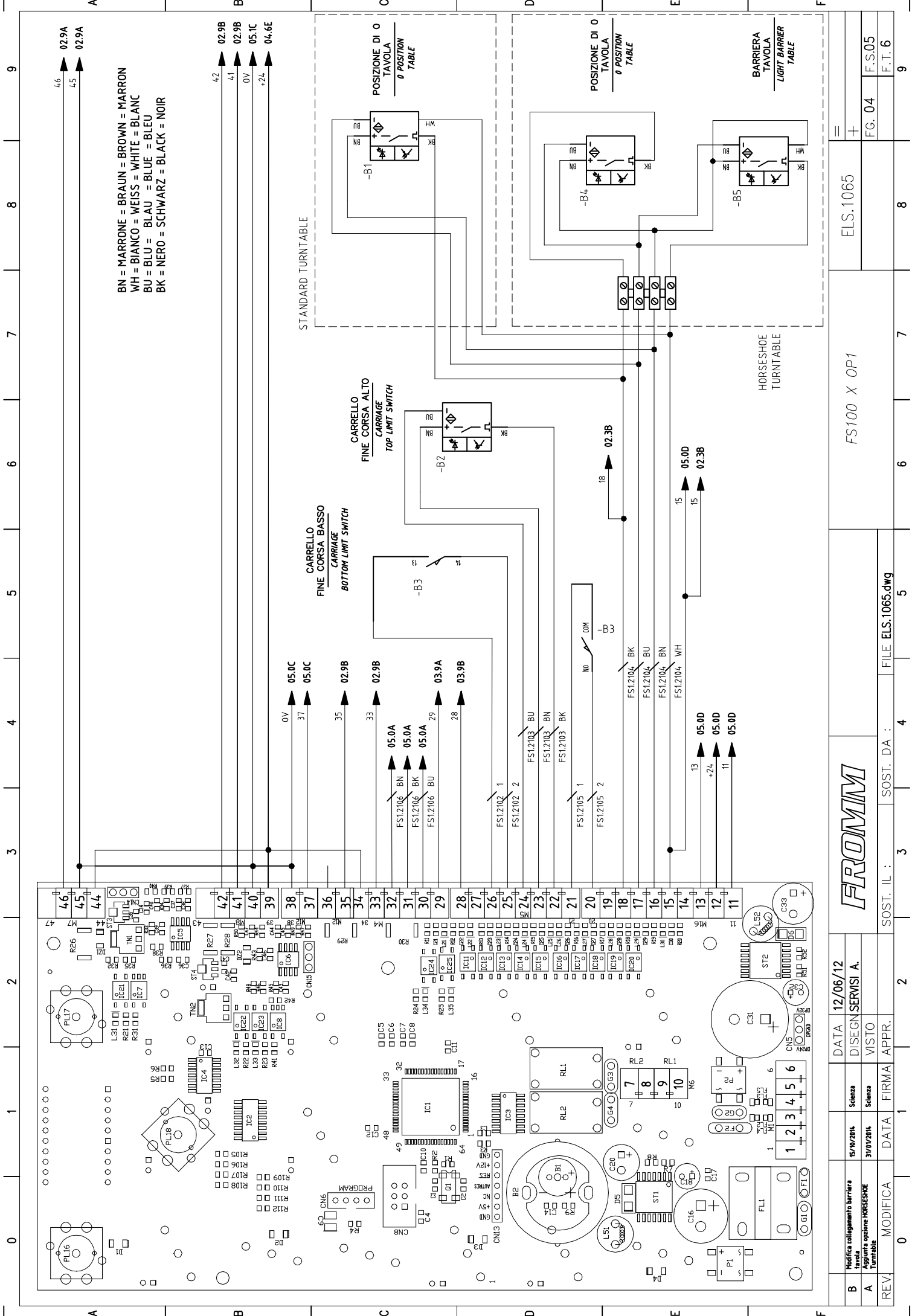
CARRIELLO
 CARRIAGE

ATV 12 0,18KW FS3.2451

ATV 12 0,55KW HORSESHOE
 ATV 12 0,55KW FS3.2449 STANDARD

A B C D E F

0 1 2 3 4 5 6 7 8 9



BN = MARRONE = BRAUN = BROWN
 WH = BIANCO = WEISS = WHITE
 BU = BLU = BLEU = BLUE
 BK = NERO = SCHWARZ = BLACK

FROMM

FS100 X OP1

ELS.1065

FC. 04 F.S.05
 F.T. 6

SOST. IL : 3
 SOST. DA : 4
 FILE ELS.1065.dwg

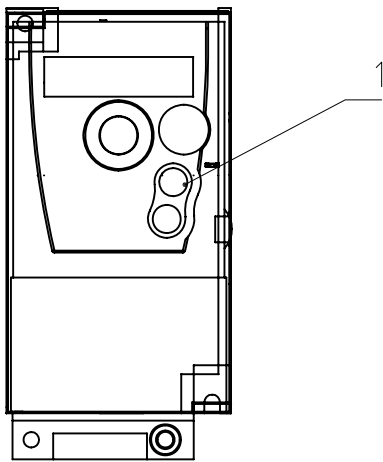
REV.	MODIFICA	DATA	FIRMA	APPR.
B	Modifica collegamento barriera tavola	15/09/2014	Sciencia	
A	Aggiunta opzione HORSESHOE Turntable	30/07/2014	Sciencia	

DATA 12/06/12
 DESIGN SERVISI A.
 VISTO
 APPR.

9 8 7 6 5 4 3 2 1 0

A B C D E F

Aenderungen:
Modifiche:



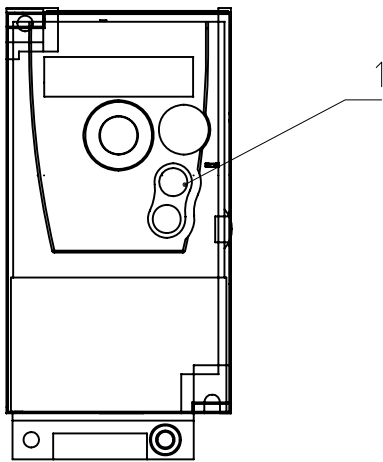
Code	Long label	Current value	Default value
L01	L01 assignment	Drv running	No
NCR	Nominal motor current	2.8A	2.9A
NSP	Nominal motor speed	1380 rpm	1400 rpm
ACC	Acceleration ramp time	4s	3s
DEC	Deceleration ramp time	3.5s	3s
BRA	Decel ramp adaptation	Hight torq.A	Yes
PS2	2 preset speeds assign.	LI1 hight	No
PS4	4 preset speeds assign.	LI2 hight	No
SP2	Preset speeds 2	40Hz	10Hz
SP4	Preset speeds 4	10Hz	20Hz
HSP	Hight speed	60Hz	50Hz

1	INVERTER MONOFASE 0,55kW	1	TELEMECANIQUE		N51.5461	ATV12
---	--------------------------	---	---------------	--	----------	-------

Gebrauch Zchg. Usò del disegno	Stueckzahl Numero pezzi	Gegenstand Oggetto	Pos.	Werkstoff Materiale	Gewicht/Stueck Peso/Pezzo	Bestandt. Nr. Elemento Nr.	Bemerkungen Osservazioni
	Rubrik Rubrica			kg.			

Freimass-Toleranzen/Tolleranze della misure libere	Aenderungen: Modifiche:			Keine Nessuna Stueckliste separat Lista pezzi separata	Ersetzt durch Sostituito da		
	Typ: Tipo:	INVERTER TAVOLA FS100 / FS300		Massstab Scala 1:1	Gezeichnet Disegnato	Servisi	12-06-12
	FS300 C4 (OP1)		Geprueft Controllato				
	FROMMM				FS3.2449		

Aenderungen:
Modifiche:



Code	Long label	Current value	Default value
LO1	LO1 assignment	Drv running	No
NCR	Nominal motor current	2.8A	2.9A
NSP	Nominal motor speed	1380 rpm	1400 rpm
ACC	Acceleration ramp time	4s	3s
DEC	Deceleration ramp time	3.5s	3s
RPS	Ramp switching input	LI3 high	No
AC2	Acceleration 2 ramp time	4s	5s
DE2	Deceleration 2 ramp time	0.6s	5s
BRA	Decel ramp adaptation	High torq.A	Yes
FST	Fast stop input assign.	LI4 low	No
PS2	2 preset speeds assign.	LI1 high	No
PS4	4 preset speeds assign.	LI2 high	No
SP2	Preset speeds 2	40Hz	10Hz
SP4	Preset speeds 4	10Hz	20Hz
LSP	Low speed	10Hz	0Hz
HSP	High speed	60Hz	50Hz

1	INVERTER MONOFASE 0,55kW	1	TELEMECANIQUE		N51.5461	ATV12
---	--------------------------	---	---------------	--	----------	-------

Gebrauch Zchg.
Usò del disegno

Stueckzahl Numero pezzi	Gegenstand Oggetto	Pos.	Werkstoff Materiale	Gewicht/Stueck Peso/Pezzo	Bestandt. Nr. Elemento Nr.	Bemerkungen Osservazioni
----------------------------	-----------------------	------	------------------------	------------------------------	-------------------------------	-----------------------------

Freimass-Toleranzen/Tolleranze della misure libere	Aenderungen: Modifiche:			Keine Nessuna Stueckliste separat Lista pezzi separata	Ersetzt durch Sostituito da Ersatz fuer Sostituisce	
	Typ: Tipo:	INVERTER TAVOLA FS300		Massstab Scala 1:1	Gezeichnet Disegnato	Servisi 12-06-12
	HORSESHOE OP1		Geprueft Controllato			
	FROMMM				Gesehen Visto	
				FS3.2453		

