

FROMM

ELS FS13x FROMM
TURNTABLE STRETCH MACHINE
CARRELLO 4
ELS.1092
Version 01 machines_Rev02

Print date Friday, 31 October 2014/ servisia/ © 10/14

MODEL : FROMM FS 100x OP2 C4

Copy of this document, and giving it to other and the use or communication liable to the payment of damages. All rights are reserved in the event of the grant of a patent or the registration of a utility model or design.

PROGETTO
BANCA DIS.
TIPICO

REV. A
MODIFICA
DATA
31/07/2014
Scienza
FIRMA
VISTO
APPR.

DATA
12/06/12
DISEGN
SERVISI A.
VISTO
APPR.

SOST. IL :
SOST. DA :
FILE ELS.1092.dwg

FS100 x OP2 C4

ELS.1092
FC: 01
F.S.02
F.T. 6

FOGLIO
1
T.F. 6
FILE : ELS.1092.dwg

KIND OF CIRCUIT	COLORS CONDUCTORS	MINIMUM SECTION
POWER CONDUCTORS	BLACK	N07V-K/1,5mm ²
NEUTRAL CONDUCTORS	LIGHT BLUE	N07V-K/1,5mm ²
CONTROLS / SIGNALS ALTERNATING CURRENT	RED	N07V-K/0,75mm ²
CONTROLS / SIGNALS DIRECTING CURRENT	BLUE	N07V-K/0,75mm ²
GROUND CONDUCTORS	YELLOW-GREEN	N07V-K/1,5mm ²

TENSIONE POWER SUPPLY
230V ac

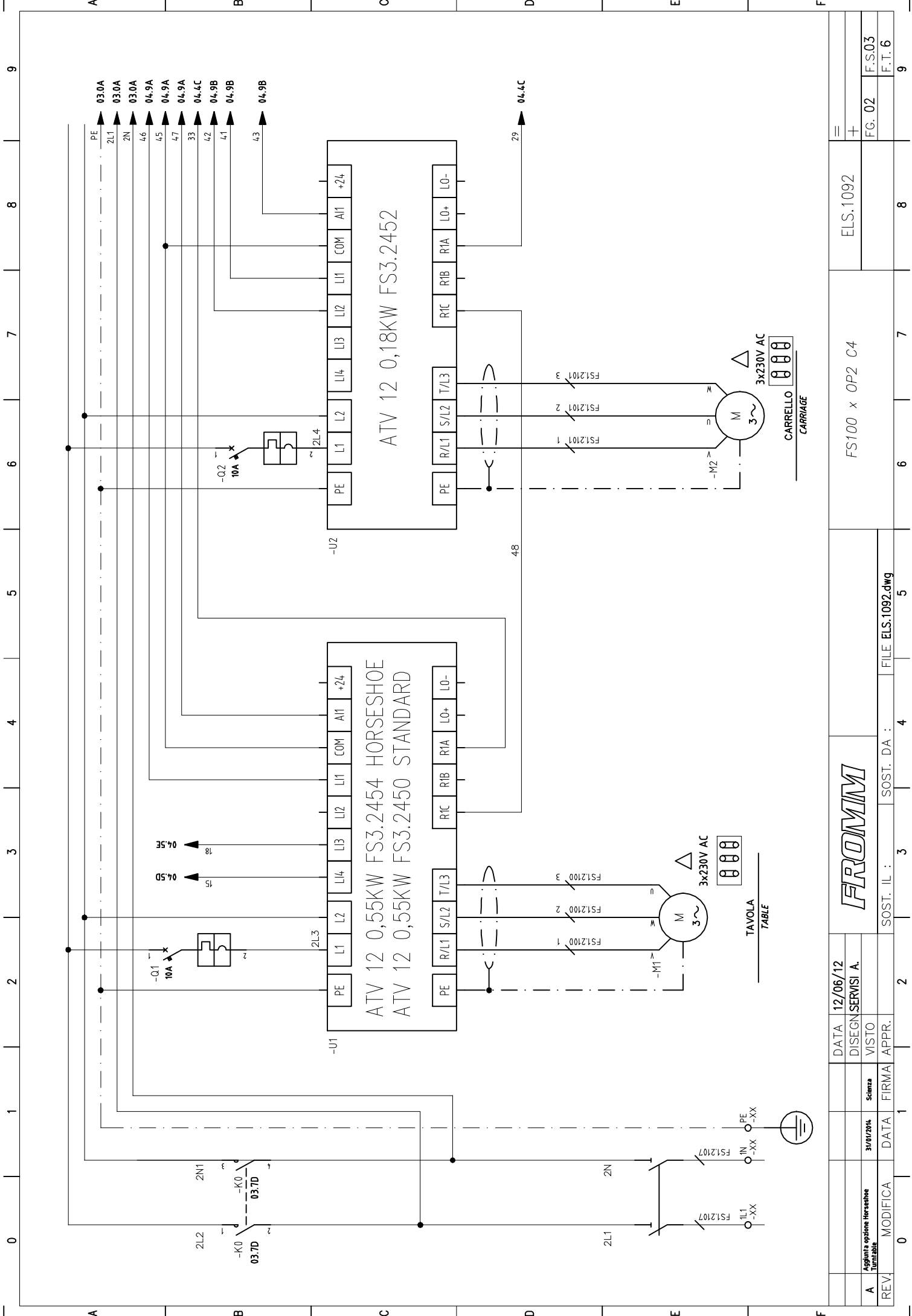
POTENZA INSTALLATA 1,0kW
INSTALLED POWER

CORRENTE CURRENT
5A

FROMM WRAPPING SYSTEMS s.r.l.
Caprino Veronese (VR)
ITALY



ELS.1092



FROMMM

DATA 12/06/12
 DISEGN. SERVIZI A.

VISTO
 Scienza

31/01/2014
 DATA FIRMA APPR.

REV. MODIFICA
 DATA FIRMA APPR.

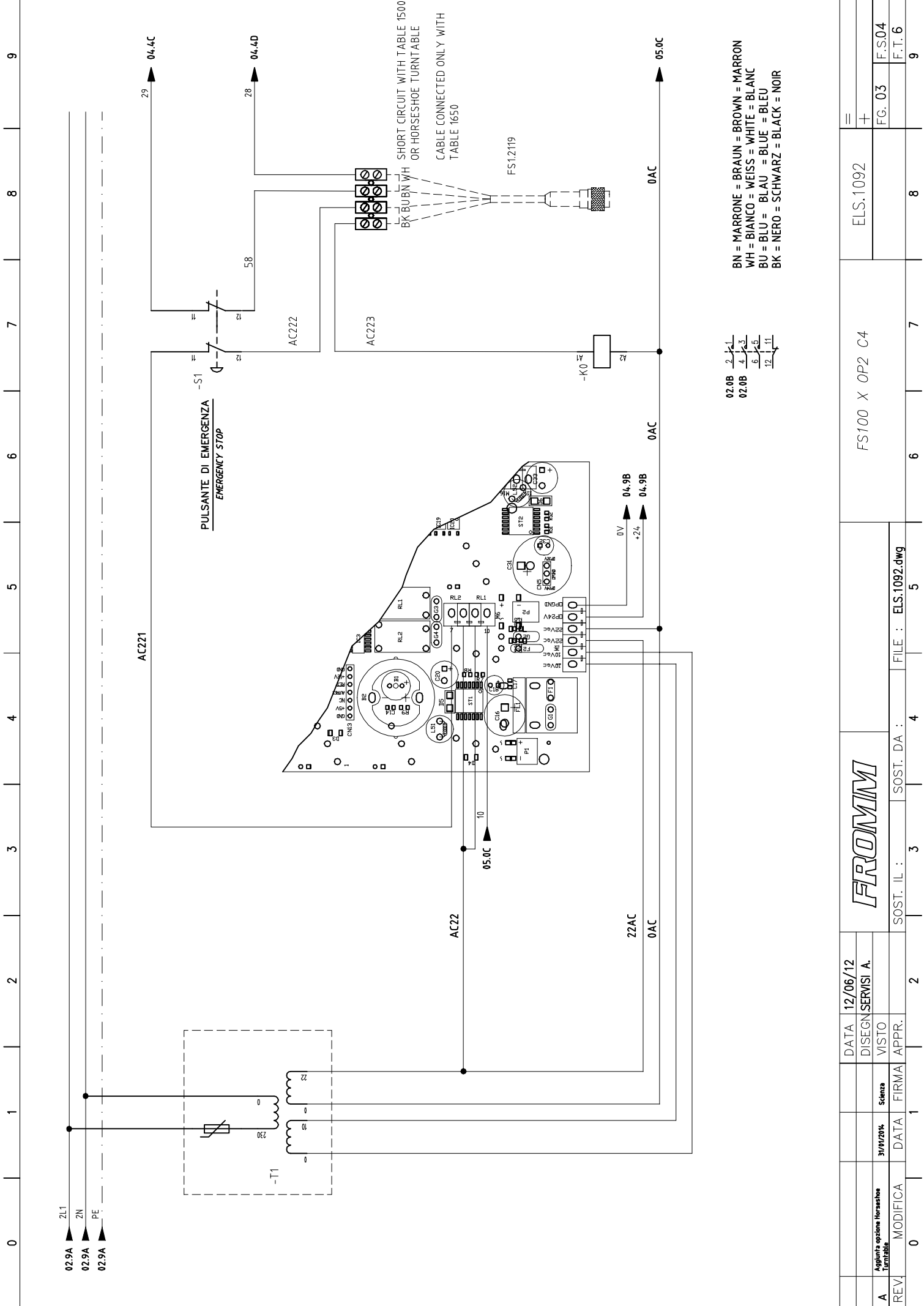
ELS.1092

FS100 x OP2 C4

FILE ELS.1092.dwg

REV.	MODIFICA	DATA	FIRMA	APPR.	0
A	Aggiunta opzione Horseshoe Turntable	31/01/2014	Scienza		1
					2
					3
					4
					5
					6
					7
					8
					9

TAVOLA
 TABLE



FROMM

DATA 12/06/12
 DISEGN SERVISI A.

VISTO
 APPR.

Scienza
 FIRMA

31/07/04
 DATA

MODIFICA

REV. A

Aggiunta opzione Horseshoe
 Turntable

FS100 X OP2 C4

ELS.1092

FC. 03

F.S.04

F.T. 6

FILE : ELS.1092.dwg

SOST. DA : 4

SOST. IL : 3

2

1

0

7

6

5

4

3

2

1

0

8

7

6

5

4

3

2

1

0

9

8

7

6

5

4

3

2

1

0

9

9

8

7

6

5

4

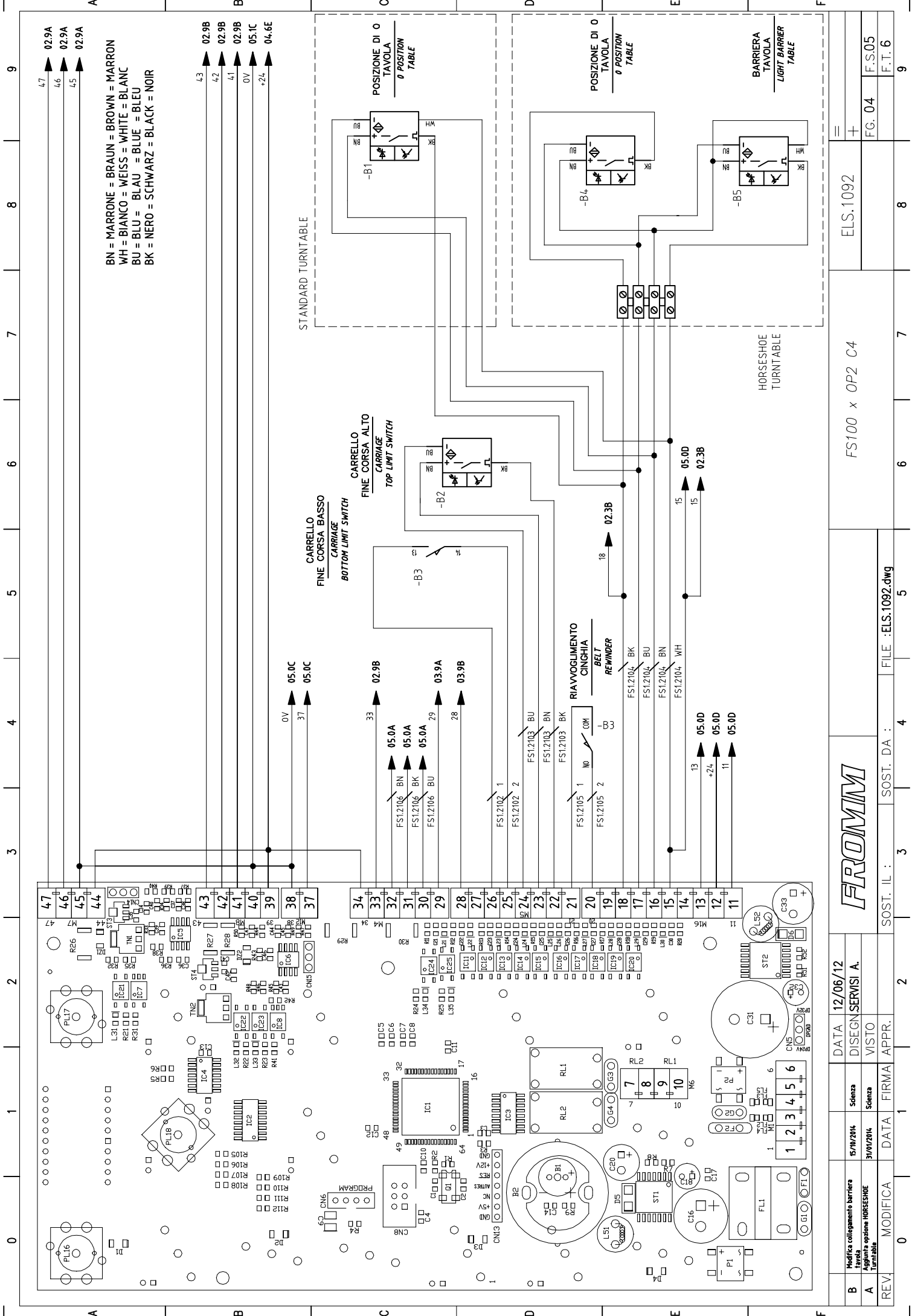
3

2

1

0

9



BN = MARRONE = BRAUN = BROWN = MARRON
 WH = BIANCO = WEISS = WHITE = BLANC
 BU = BLU = BLAU = BLUE = BLEU
 BK = NERO = SCHWARZ = BLACK = NOIR

FROMM

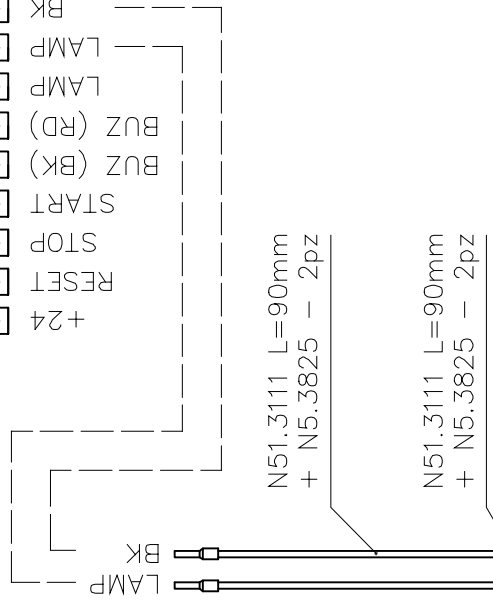
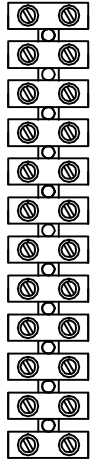
REV	MODIFICA	DATA	FIRMA	APPR.
B	Modifica collegamento barriera tavola	15/10/2014	Scienza	
A	Aggiunta opzione HORSESHOE Turntable	31/01/2014	Scienza	

SOST. IL :	3
SOST. DA :	4
FILE :	.ELS.1092.dwg

FS100 x OP2 C4	ELS.1092
FC: 04	F.S.05
	F.T. 6

		9
		8
		7
		6
		5
		4
		3
		2
		1
		0

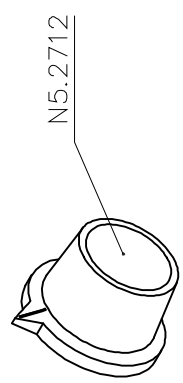
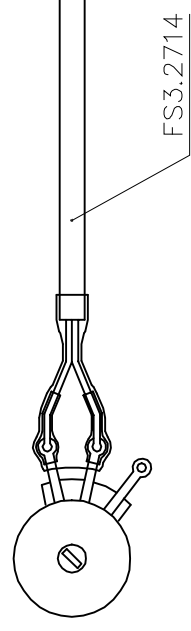
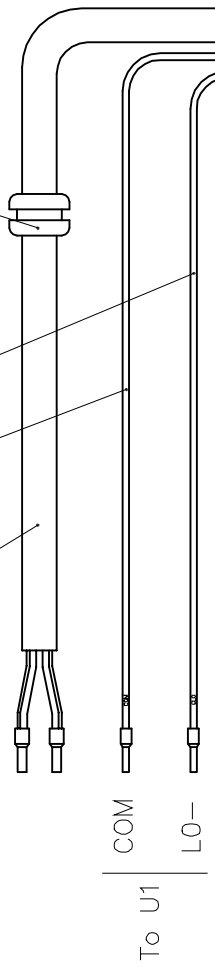
Aenderungen:
Modifiche:



N51.3112 L=750mm
+ N5.3825 - 2pz

N5.3421

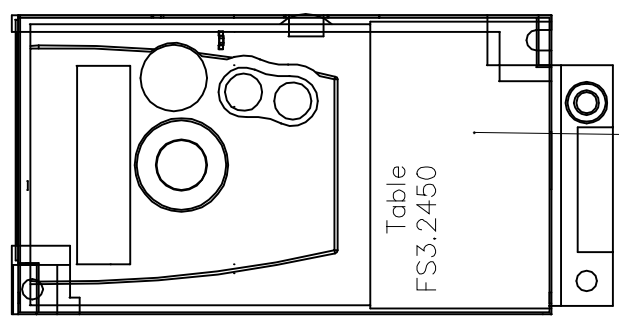
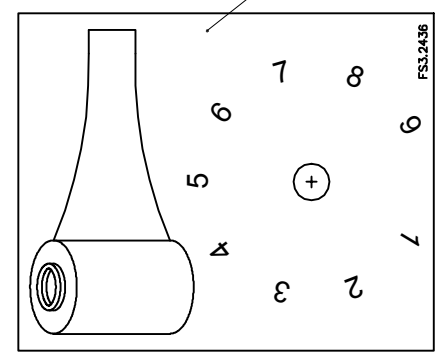
FS3.2443



N5.3823

N51.7180

N5.3823



N51.3112 L=90mm
+ N5.3825 - 2pz

CONNECT TERMINALS
+24V with L0+

Gebrauch, Zschg.
Usa del disegno

Stueckzahl
I. Fabr.
I. Fabr.
I. Fabr.

Gegenstand
Objetto

Pos.

Werkstoff
Materiale

Bestand. Nr.
Elemento Nr.

Aenderungen:
Modifiche:

Keine
Stueckliste
separat
Liefer paazi
separato

Eersetzt durch
Sostituito da

Bemerkungen
Osservazioni

FS3.2436

Typo:

KIT POTENZIOMETRO

Scala

Massstab

FS3.2436

23/05/14

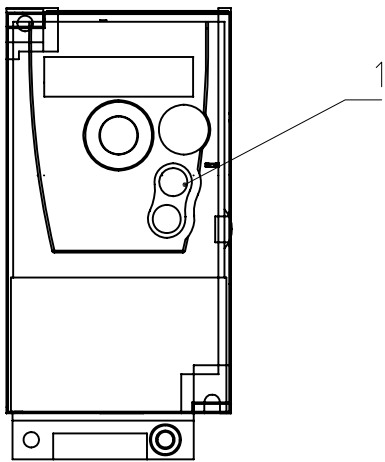
Servisi

20-06-14

FROMMM

ELS.1092

Aenderungen:
Modifiche:

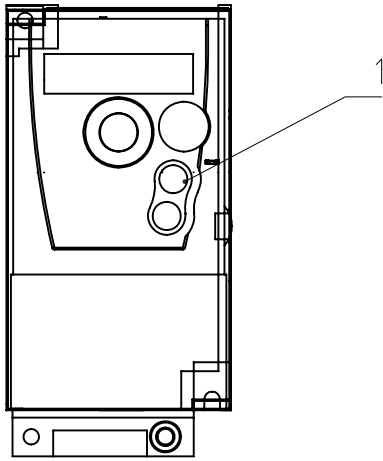


Code	Long label	Current value	Default value
AI1T	Configuration of AI1	Current	5V
CRL1	AI1 minimum value	0.2mA	4mA
LO1	LO1 assignment	Drv running	No
NCR	Nominal motor current	2.8A	2.9A
NSP	Nominal motor speed	1380 rpm	1400 rpm
ACC	Acceleration ramp time	4s	3s
DEC	Deceleration ramp time	3.5s	3s
RPS	Ramp switching input	LI3 hight	No
AC2	Acceleration 2 ramp time	4s	5s
DE2	Deceleration 2 ramp time	0.6s	5s
BRA	Decel ramp adaptation	Hight torq.A	Yes
FST	Fast stop input assign.	LI4 low	No
HSP	Hight speed	60Hz	50Hz

1	INVERTER MONOFASE 0,55kW	1	TELEMECANIQUE		N51.5461	ATV12
---	--------------------------	---	---------------	--	----------	-------

Gebrauch Zchg. Usò del disegno	Stueckzahl Numero pezzi	Gegenstand Oggetto	Pos.	Werkstoff Materiale	Gewicht/Stueck Peso/Pezzo	Bestandt. Nr. Elemento Nr.	Bemerkungen Osservazioni
	Rubrik Rubrica	Aenderungen: Modifiche:			Keine Nessuna Stueckliste separat Lista pezzi separata	Ersetzt durch Sostituito da Ersatz fuer Sostituisce	
Freimass-Toleranzen/Tolleranze della misure libere	Typ: Tipo: <i>INVERTER TAVOLA FS300</i>			Massestab Scala <i>1:1</i>	Gezeichnet Disegnato	<i>Servisi 12-06-12</i>	
	<i>HORSESHOE OP2</i>				Gepueft Controllato		
	<i>FROMMM</i>				Gesehen Visto		
					<i>FS3.2454</i>		

Aenderungen:
Modifiche:



Code	Long label	Current value	Default value
AI1T	Configuration of AI1	Current	5V
CRL1	AI1 minimum value	0.3mA	4mA
ACC	Acceleration ramp time	0.1s	3s
DEC	Deceleration ramp time	0.1s	3s
BRA	Decel ramp adaptation	Hight torq.A	Yes
RRS	Reverse input assigne.	LI2 hight	No
HSP	Hight speed	60Hz	50Hz

1	INVERTER MONOFASE 0,18kW	1	TELEMECANIQUE		N51.5459	ATV12	
Stueckzahl Numero pezzi Rubrik Rubrica	Gegenstand Oggetto	Pos.	Werkstoff Materiale	Gewicht/Stueck Peso/Pezzo	Bestandt. Nr. Elemento Nr.	Bemerkungen Osservazioni	
	Aenderungen: Modifiche:			Keine Nessuna Stueckliste separat Lista pezzi separata	Ersetzt durch Sostituito da Ersatz fuer Sostituisce		
Freimass-Toleranzen/Tolleranze della misure libere	Typ: Tipo: <i>INVERTER CARRELLO (OP2)</i>			Massstab Scala <i>1:1</i>	Gezeichnet Disegnato	<i>Servisi</i>	<i>12-06-12</i>
	<i>FS100/FS300</i>				Geprueft Controllato		
	FROMMM			<i>FS3.2452</i>			