

FROMM

ELS FS15x FROMM
TURNTABLE STRETCH MACHINE
CARRELLO 4
ELS.1102
Version 01 machines_Rev02

Print date Friday, 30 October 2014/ servisia/ © 10/14

MODEL : FROMM FS 15x Carriage 4

Copy of this document, and giving it to other and the use or communication liable to the payment of damages. All rights are reserved in the event of the grant of a patent or the registration of a utility model or design.

PROGETTO
BANCA DIS.
TIPICO

REV. 0
MODIFICA DATA FIRMA APPR. 2
SOST. IL : 3 SOST. DA : 4
FILE ELS.1102.dwg

KIND OF CIRCUIT	COLORS CONDUCTORS	MINIMUM SECTION	DATE	
			07/07/14	07/07/14
POWER CONDUCTORS	BLACK	N07V-K/1,5mm ²	DESIGN	SERVISI A.
NEUTRAL CONDUCTORS	LIGHT BLUE	N07V-K/1,5mm ²	VISTO	
CONTROLS / SIGNALS ALTERNATING CURRENT	RED	N07V-K/0,75mm ²		
CONTROLS / SIGNALS DIRECTING CURRENT	BLUE	N07V-K/0,75mm ²		
GROUND CONDUCTORS	YELLOW-GREEN	N07V-K/1,5mm ²		

FROMM	
FS15x (C4)	FILE ELS.1102.dwg

TENSIONE POWER SUPPLY	230V ac
POTENZA INSTALLATA INSTALLED POWER	1,0kW
CORRENTE CURRENT	5A
FROMM WRAPPING SYSTEMS s.r.l. Caprino Veronese (VR) ITALY	ELS.1102

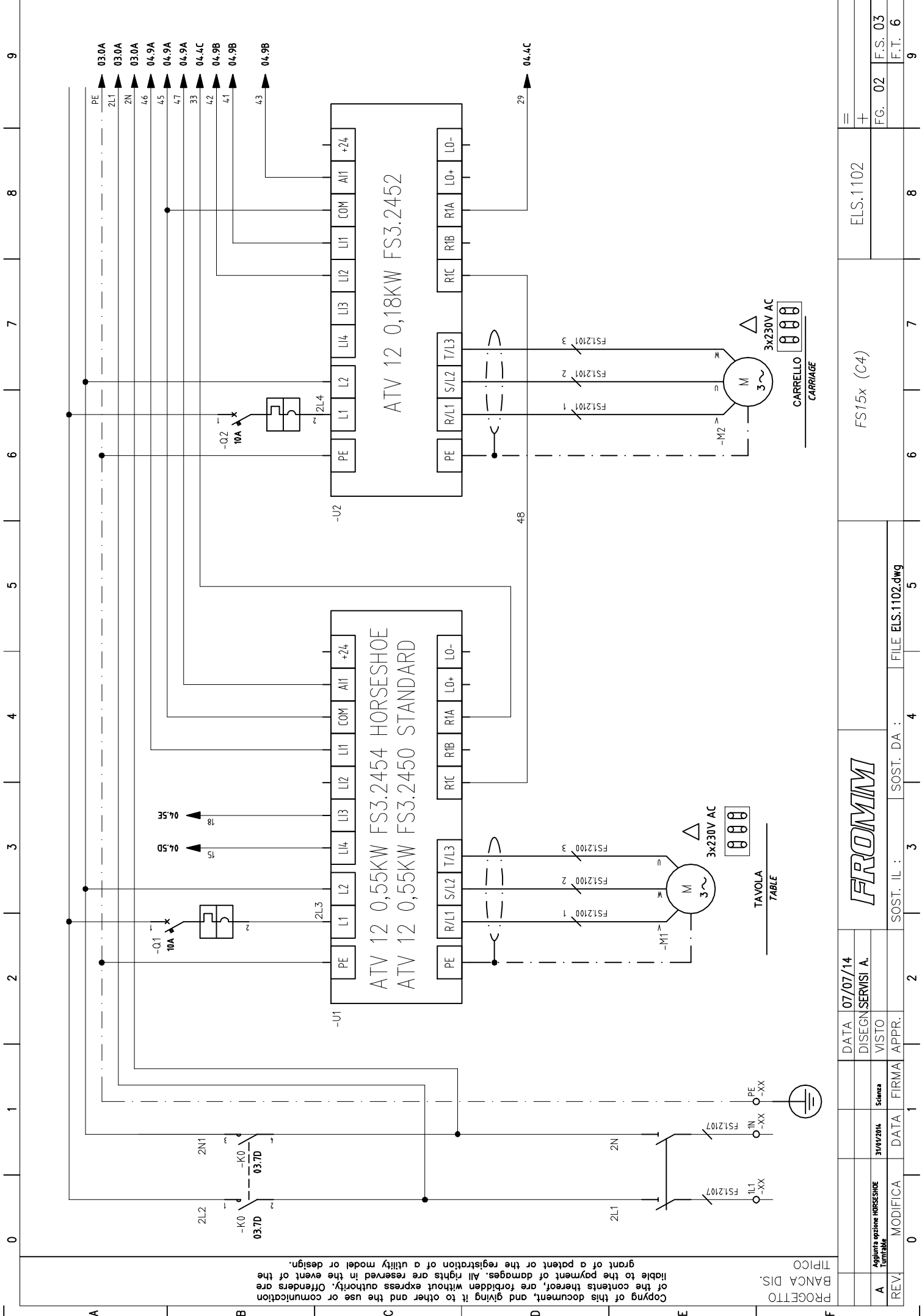


FOGLIO	1
T.F.	6

FILE : ELS.1102.dwg	=
ELS.1102	+
FC: 01	F.S.02
F.T. 6	F.T. 6

PROGETTO BANCA DIS. TPI/CO

Copy of this document, and giving it to other and the use or communication liable to the payment of damages. All rights are reserved in the event of the grant of a patent or the registration of a utility model or design.



REV.	MODIFICA	DATA	FIRMA	APPR.
A	Aggiunta opzione HORSESHOE Turntable	31/07/2014	Sciencia	

DATA	07/07/14
DISEGN	SERVISI A.
VISTO	
APPR.	

FROMMM

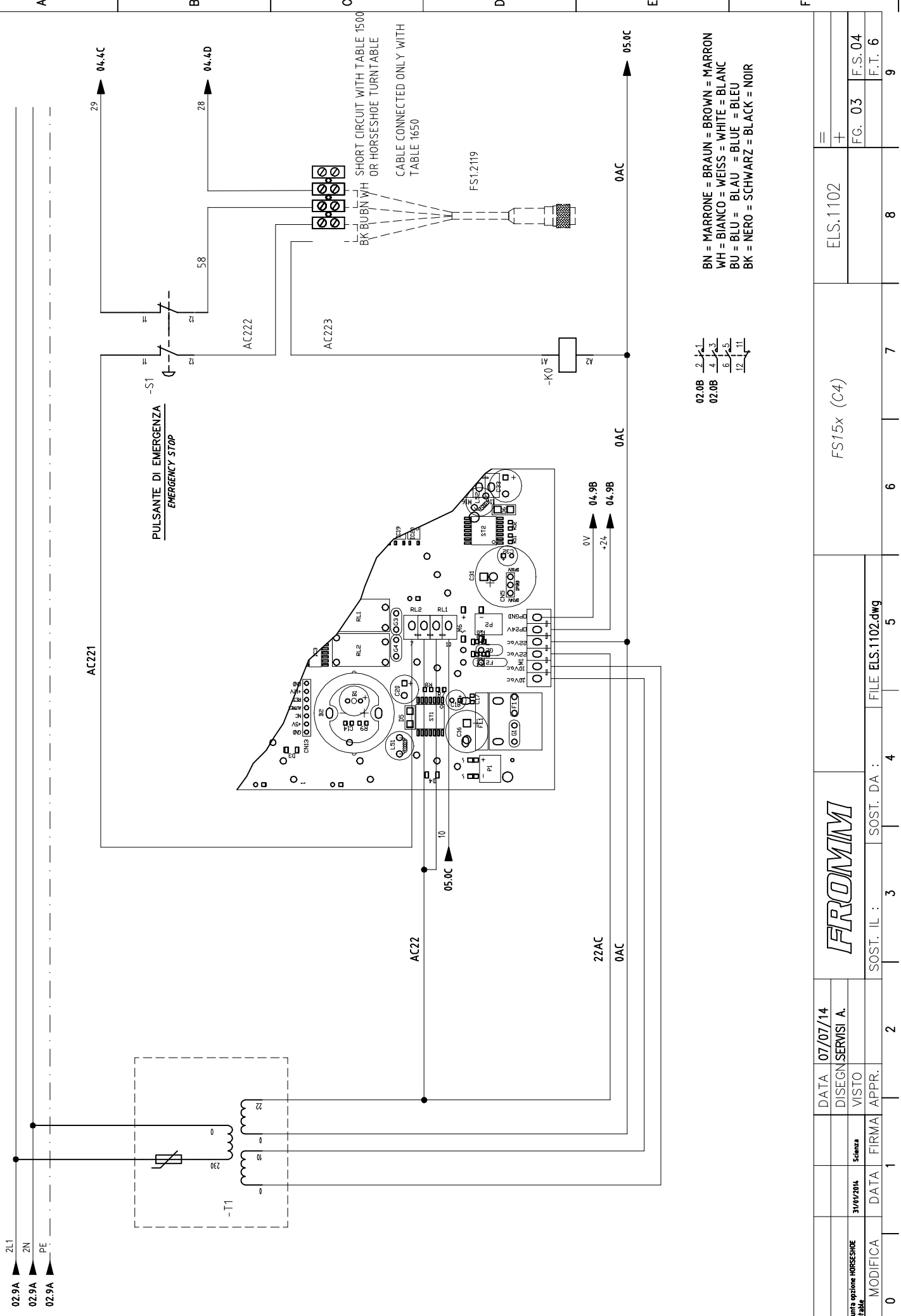
SOST. IL :	3
SOST. DA :	4
FILE	ELS.1102.dwg

ELS.1102	
+	
FC:	02
F.S.:	03
F.T.:	6

Copy of this document, and giving it to other and the use or communication
 liable to the payment of damages. All rights are reserved in the event of the
 grant of a patent or the registration of a utility model or design.

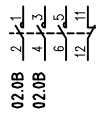
PROGETTO
 BANCA DIS.

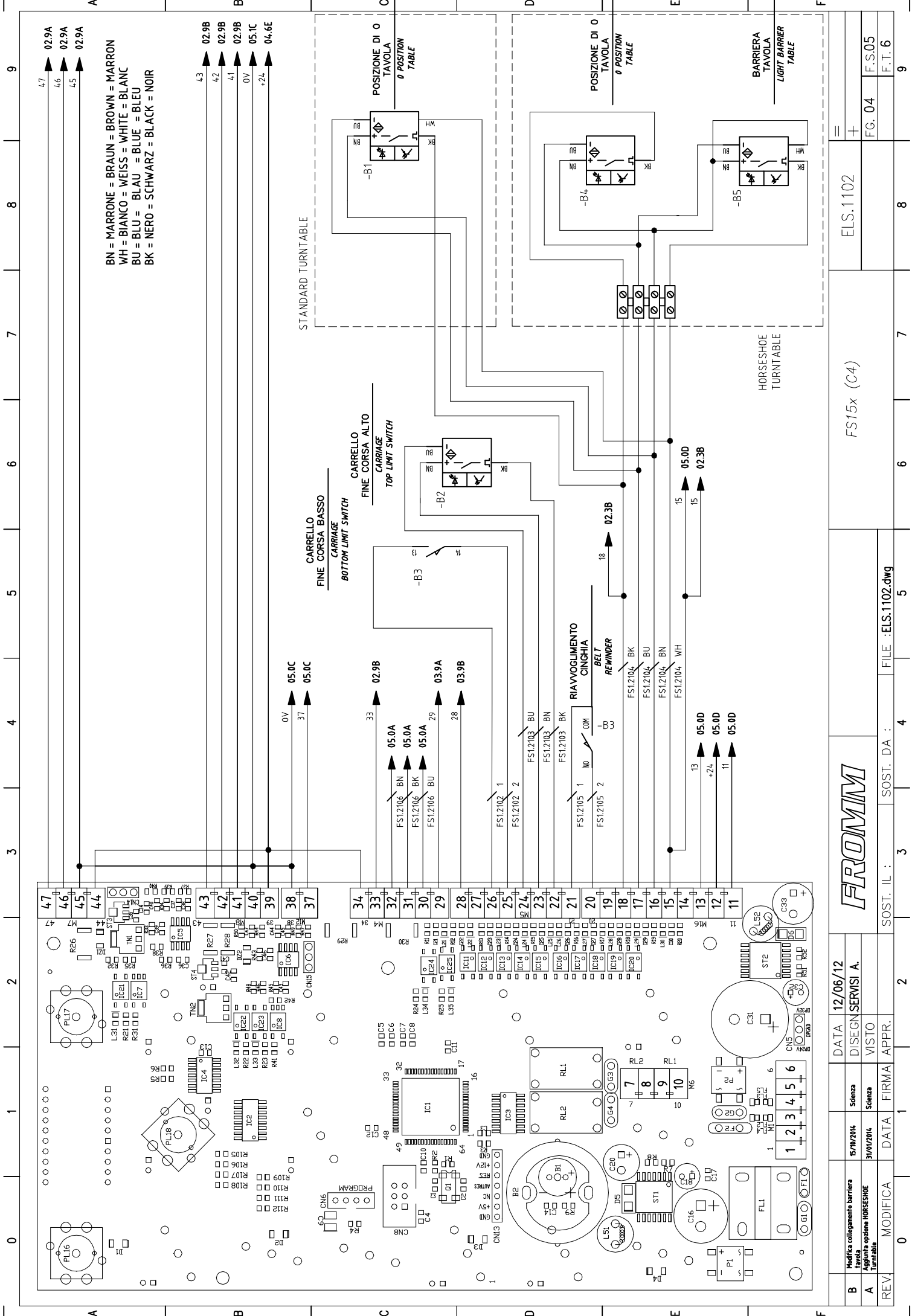
TIPICO



REV.	MODIFICA	DATA	FIRMA	APPR.	2	3	4	5	6	7	8	9
A	Aggiunta opzione HORSESHOE Turntable	31/07/2014	Sciensa									
					SOST. IL :	SOST. DA :	FILE ELS.1102.dwg					
					FROMM							
					DATA	07/07/14						
					DESIGN	SERVISI A.						
					VISTO							
					FS15x (C4)							
					ELS.1102							
					FC:	03	F.S.04					
					F.T.:	6	F.T. 6					

BN = MARRONE = BROWN = MARRON
 WH = BIANCO = WHITE = BLANC
 BU = BLU = BLUE = BLEU
 BK = NERO = SCHWARZ = BLACK = NOIR





BN = MARRONE = BRAUN = BROWN = MARRON
 WH = BIANCO = WEISS = WHITE = BLANC
 BU = BLU = BLAU = BLUE = BLEU
 BK = NERO = SCHWARZ = BLACK = NOIR

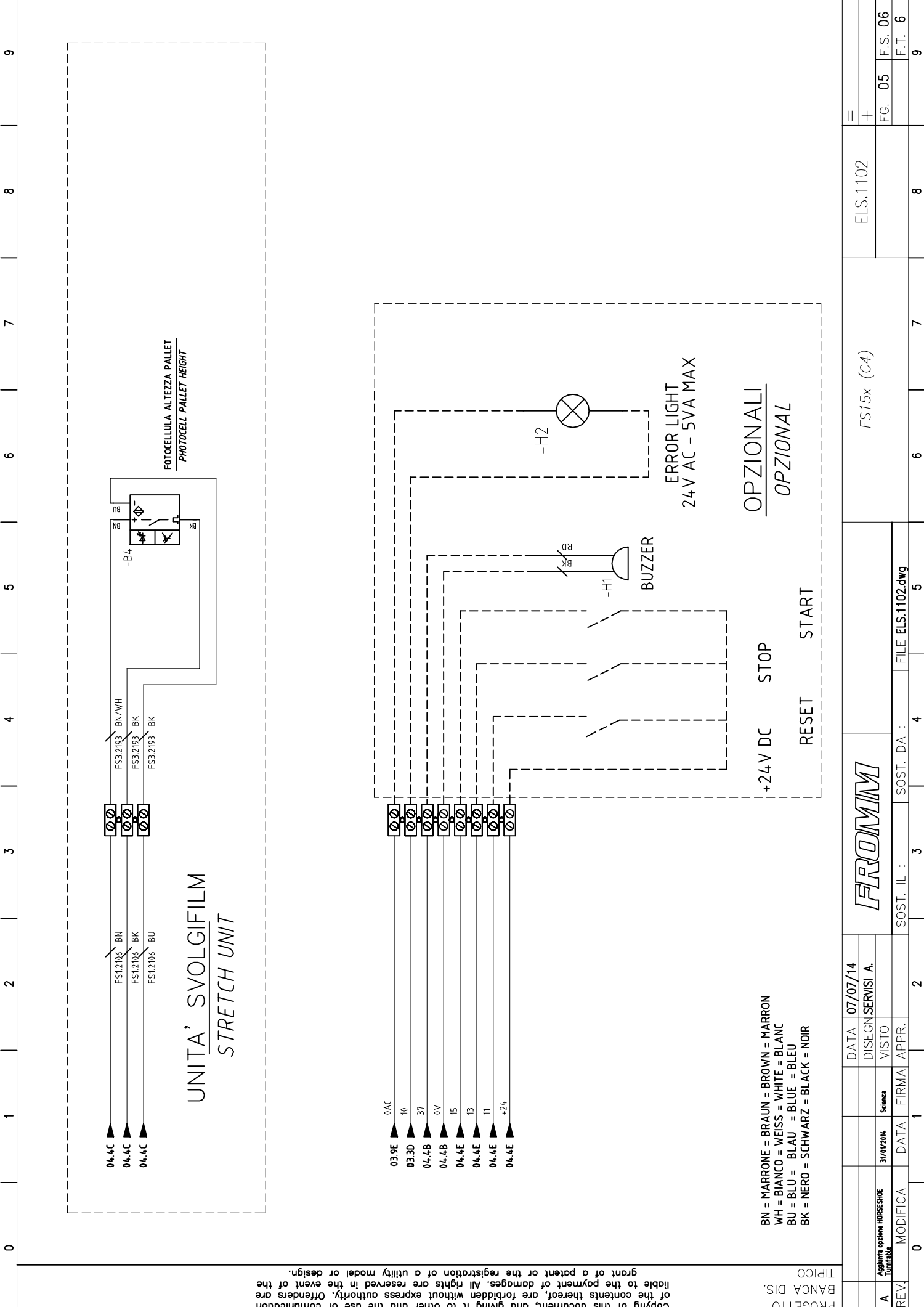
FROMM

REV	MODIFICA	DATA	FIRMA	APPR.
B	Modifica collegamento barriera tavola	15/10/2014	Scienza	
A	Aggiunta opzione HORSESHOE Turntable	31/01/2014	Scienza	

SOST. IL :	3
SOST. DA :	4
FILE :	.ELS.1102.dwg

FS15x (C4)	
ELS.1102	

FC. 04	F.S.05
F.T. 6	



PROGETTO
BANCA DIS.
TIPICO

REV. 0
MODIFICA DATA FIRMA APPR.

31/07/2014 Scienza Turntable

DATA 07/07/14
DISEGN SERVISI A.
VISTO

SOST. IL : 3 SOST. DA : 4 FILE ELS.1102.dwg

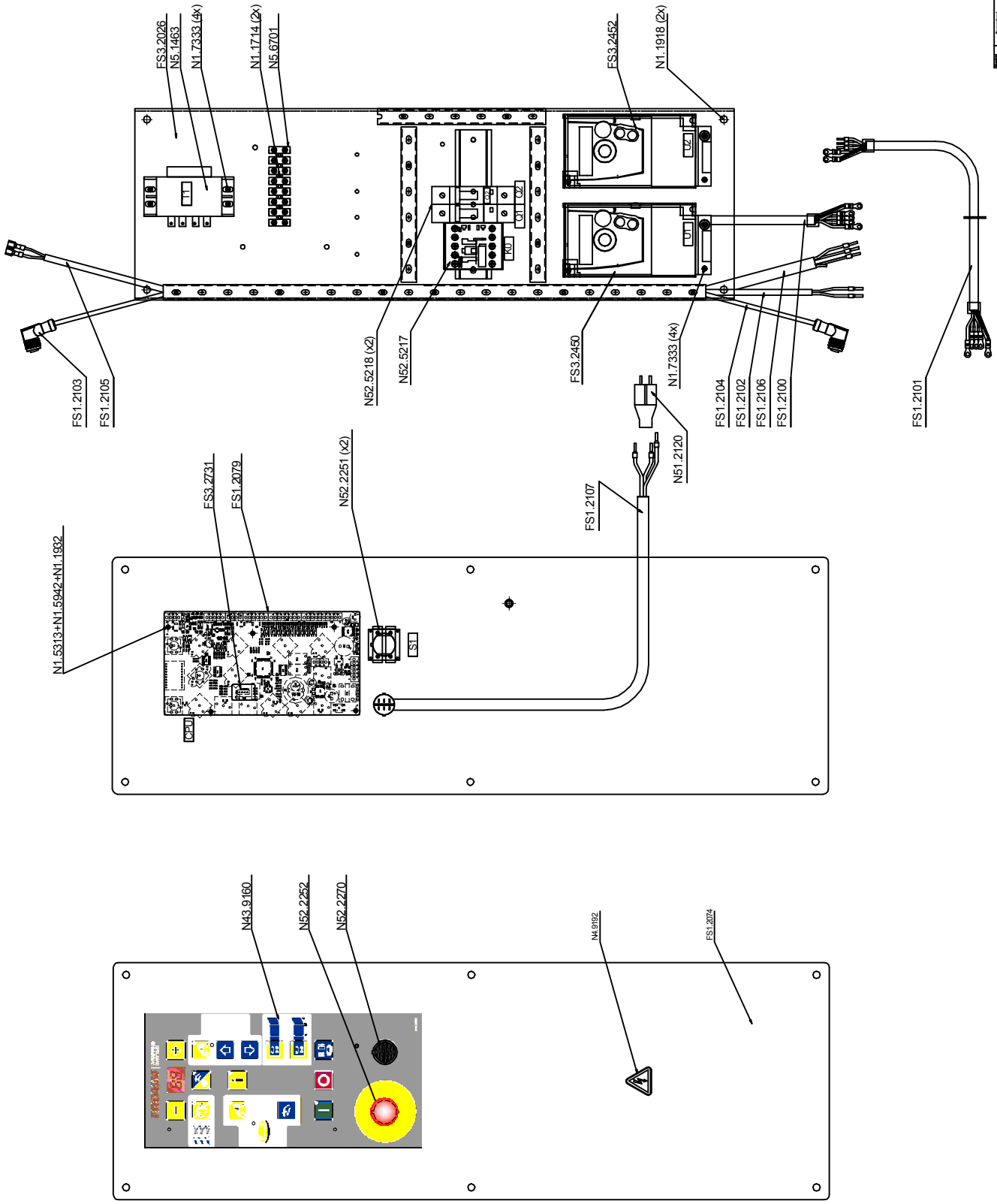
FS15x (C4)

ELS.1102

FG. 05 F.S. 06
F.T. 6

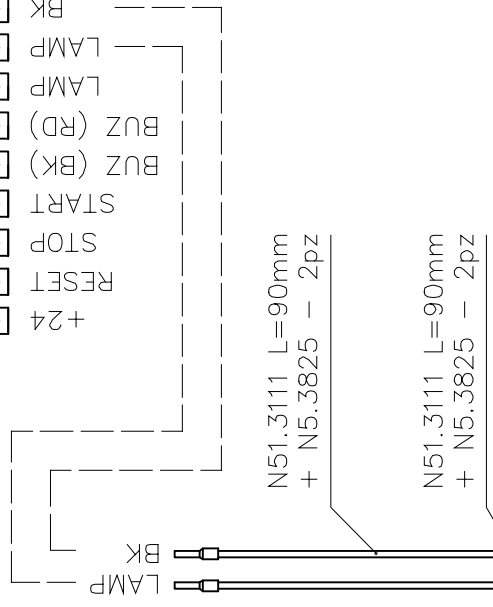
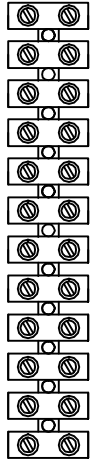
0 1 2 3 4 5 6 7 8 9

A B C D E F



Part No.	Quantity	Part Name	Rev.	Drawn By	Checked By	Approved By	Release Date
FS1.0211_013.013	1	SWITCH CABINET OP2-AMP FS16x	1				
PERFORMANT							

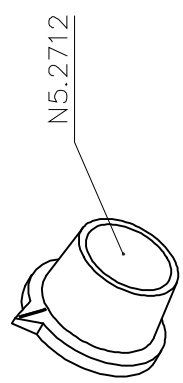
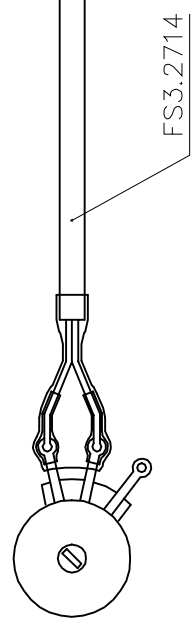
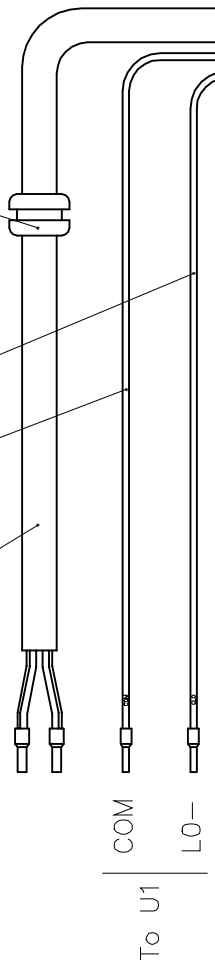
Aenderungen:
Modifiche:



N51.3112 L=750mm
+ N5.3825 - 2pz

N5.3421

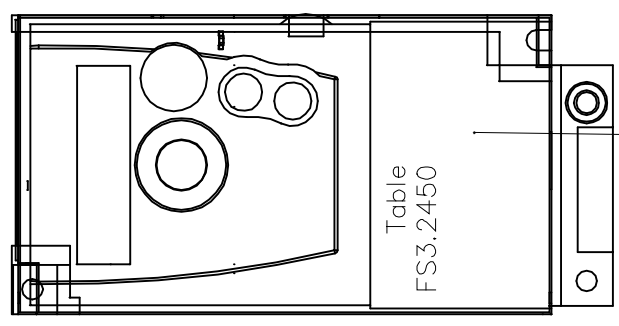
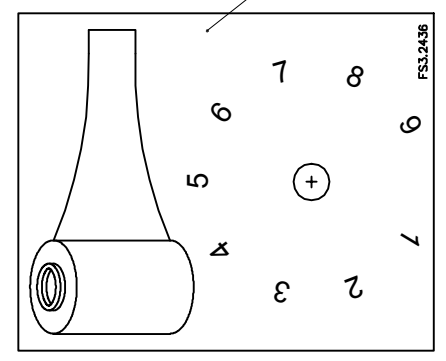
FS3.2443



N5.3823

N51.7180

N5.3823



N51.3112 L=90mm
+ N5.3825 - 2pz

CONNECT TERMINALS
+24V with L0+

Gebrauch, Zschg.
Usa del disegno

Stueckzahl
Rabrick
Rubrication

Gegenstand
Oggetto

Pos.

Werkstoff
Materiale

Bestand. Nr.
Elemento Nr.

Aenderungen:
Modifiche:

Keine
Stueckliste
separat
Liefer paazi
separato

Eersetzt durch
Sostituito da

Ersetzt fuer
Sostituisce

Soezehnet Disegnato	Massstab Scala	Servisi 23/05/14
Geprueft Contrattato		Servisi 20-06-14
Genehm Visto		

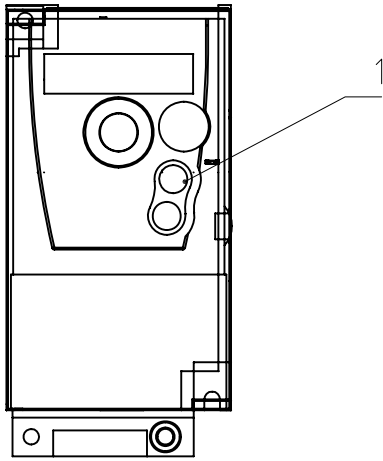
Freiress-Toleranzen/Tolleranze della misure libere

UNI-ISO 2268-mk
Tipo: KIT POTENZIOMETRO

FROMMM

ELS.1092

Aenderungen:
Modifiche:

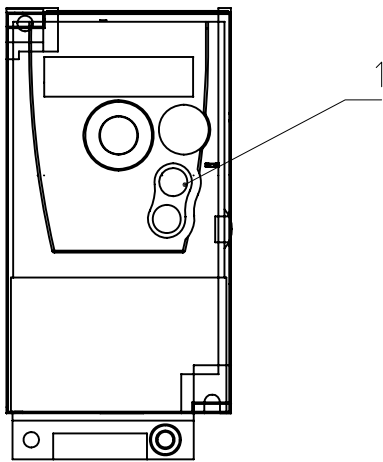


Code	Long label	Current value	Default value
AI1T	Configuration of AI1	Current	5V
CRL1	AI1 minimum value	0.2mA	4mA
LO1	LO1 assignment	Drv running	No
NCR	Nominal motor current	2.8A	2.9A
NSP	Nominal motor speed	1380 rpm	1400 rpm
ACC	Acceleration ramp time	4s	3s
DEC	Deceleration ramp time	3.5s	3s
BRA	Decel ramp adaptation	Hight torq.A	Yes
HSP	Hight speed	60Hz	50Hz

1	INVERTER MONOFASE 0,55kW	1	TELEMECANIQUE		N51.5461	ATV12
Stueckzahl Numero pezzi	Gegenstand Oggetto	Pos.	Werkstoff Materiale	Gewicht/Stueck Peso/Pezzo	Bestandt. Nr. Elemento Nr.	Bemerkungen Osservazioni
Freimass-Toleranzen/Tolleranze della misure libere	Aenderungen: Modifiche:			Keine Nessuna Stueckliste separat Lista pezzi separata	Ersetzt durch Sostituito da Ersatz fuer Sostituisce	
	Typ: Tipo: <i>INVERTER TAVOLA FS100 / FS300</i> <i>FS300 C4 (OP2)</i>				Massstab Scala 1:1	Gezeichnet Disegnato
			Geprueft Controllato			
			Gesehen Visto			
FROMMM				<i>FS3.2450</i>		

Gebrauch Zchg.
Usò del disegno

Aenderungen:
Modifiche:

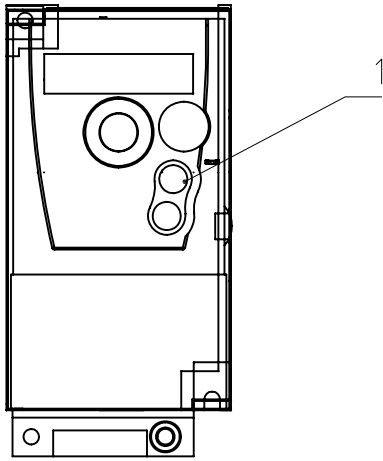


Code	Long label	Current value	Default value
AI1T	Configuration of AI1	Current	5V
CRL1	AI1 minimum value	0.2mA	4mA
LO1	LO1 assignment	Drv running	No
NCR	Nominal motor current	2.8A	2.9A
NSP	Nominal motor speed	1380 rpm	1400 rpm
ACC	Acceleration ramp time	4s	3s
DEC	Deceleration ramp time	3.5s	3s
RPS	Ramp switching input	LI3 hight	No
AC2	Acceleration 2 ramp time	4s	5s
DE2	Deceleration 2 ramp time	0.6s	5s
BRA	Decel ramp adaptation	Hight torq.A	Yes
FST	Fast stop input assign.	LI4 low	No
HSP	Hight speed	60Hz	50Hz

1	INVERTER MONOFASE 0,55kW	1	TELEMECANIQUE		N51.5461	ATV12
---	--------------------------	---	---------------	--	----------	-------

Gebrauch Zchg. Usò del disegno	Stueckzahl Numero pezzi	Gegenstand Oggetto	Pos.	Werkstoff Materiale	Gewicht/Stueck Peso/Pezzo	Bestandt. Nr. Elemento Nr.	Bemerkungen Osservazioni
	Rubrik Rubrica	Aenderungen: Modifiche:			Keine Nessuna Stueckliste separat Lista pezzi separata	Ersetzt durch Sostituito da Ersatz fuer Sostituisce	
Freimass-Toleranzen/Tolleranze della misure libere	Typ: Tipo: <i>INVERTER TAVOLA FS300</i>			Massestab Scala <i>1:1</i>	Gezeichnet Disegnato	<i>Servisi 12-06-12</i>	
	<i>HORSESHOE OP2</i>				Gepueft Controllato		
	<i>FROMMM</i>				Gesehen Visto		
				<i>FS3.2454</i>			

Aenderungen:
Modifiche:



Code	Long label	Current value	Default value
AI1T	Configuration of AI1	Current	5V
CRL1	AI1 minimum value	0.3mA	4mA
ACC	Acceleration ramp time	0.1s	3s
DEC	Deceleration ramp time	0.1s	3s
BRA	Decel ramp adaptation	Hight torq.A	Yes
RRS	Reverse input assigne.	LI2 hight	No
HSP	Hight speed	60Hz	50Hz

1	INVERTER MONOFASE 0,18kW	1	TELEMECANIQUE		N51.5459	ATV12	
Stueckzahl Numero pezzi Rubrik Rubrica	Gegenstand Oggetto	Pos.	Werkstoff Materiale	Gewicht/Stueck Peso/Pezzo	Bestandt. Nr. Elemento Nr.	Bemerkungen Osservazioni	
	Aenderungen: Modifiche:			Keine Nessuna Stueckliste separat Lista pezzi separata	Ersetzt durch Sostituito da Ersatz fuer Sostituisce		
Freimass-Toleranzen/Tolleranze della misure libere	Typ: Tipo: <i>INVERTER CARRELLO (OP2)</i>			Massstab Scala <i>1:1</i>	Gezeichnet Disegnato	<i>Servisi</i>	<i>12-06-12</i>
	<i>FS100/FS300</i>				Geprueft Controllato		
	FROMMM				<i>FS3.2452</i>		