

FROMM

ELS FROMM FS250-FS270 Version 06

FS250 Items No	30.1601	02.00013
	30.1605	02.00014
FS270 Items No	30.1701	02.00017

COPYING OF THIS DOCUMENT, AND GIVING IT TO OTHERS AND THE USE OR COMMUNICATION OF THE CONTENTS THEREOF, ARE FORBIDDEN WITHOUT EXPRESS AUTHORITY. OFFENDERS ARE LIABLE TO THE PAYMENT OF DAMAGES. ALL RIGHTS ARE RESERVED IN THE EVENT OF THE GRANT OF A PATENT OF THE REGISTRATION OF A UTILITY MODEL OR DESIGN

PROJECT:
TYPE:

MODEL: FROMM FS 250
MODEL: FROMM FS 270

POWER SUPPLY 230Vac
CURRENT 5A
INSTALLED POWER 1KW
VERSION 06
DATE 18-10-2010

DATE 18/03/2010
COMMISS. Serisi: A.
CHECKED BY
APPROV.

FROMM
SUBST.: SUB. FOR:

WIRING DIAGRAM

FS 250-270 FS6


=	
+	
11	SHEET 1
	N.S. 2

COPYING OF THIS DOCUMENT, AND GIVING IT TO OTHERS AND THE USE OR COMMUNICATION OF THE CONTENTS THEREOF, ARE FORBIDDEN WITHOUT EXPRESS AUTHORITY. OFFENDERS ARE LIABLE TO THE PAYMENT OF DAMAGES. ALL RIGHTS ARE RESERVED IN THE EVENT OF THE GRANT OF A PATENT OF THE REGISTRATION OF A UTILITY MODEL OR DESIGN

PROJECT: _____
 TYPE: _____

SYMBOL	FUNCTION	INITIAL	EXTENSION
	Inverter	A...	
	PHOTOCELL	BF...	
	HEATER	E...	
	Brake	F...	
	Fuse	FU...	
	Buzzer	HA...	
	FILM CUTTER COIL	L...	
	3 phase motor	M...	
	Scale display	P...	
	THERMOREGULATOR	P...	
	Scale sensor	P...	

DATE: 18/03/2010
 COMMISS. Serlisi A.
 CHECKED BY: _____
 APPROV. _____

SUBST.: _____
 SUB. FOR: _____


SYMBOLS SUMMARY
 FS 250-270 FS6

=	
+	
15	SHEET
N.S.	2
	3

COPYING OF THIS DOCUMENT, AND GIVING IT TO OTHERS AND THE USE OR COMMUNICATION OF THE CONTENTS THEREOF, ARE FORBIDDEN WITHOUT EXPRESS AUTHORITY. OFFENDERS ARE LIABLE TO THE PAYMENT OF DAMAGES. ALL RIGHTS ARE RESERVED IN THE EVENT OF THE GRANT OF A PATENT OR THE REGISTRATION OF A UTILITY MODEL OR DESIGN.

PROJECT: _____
 TYPE: _____

DATE 18/03/2010
 COMMISS. Serlisi A.
 CHECKED BY _____
 APPROV. _____



SUBST.: _____

SYMBOLS SUMMARY

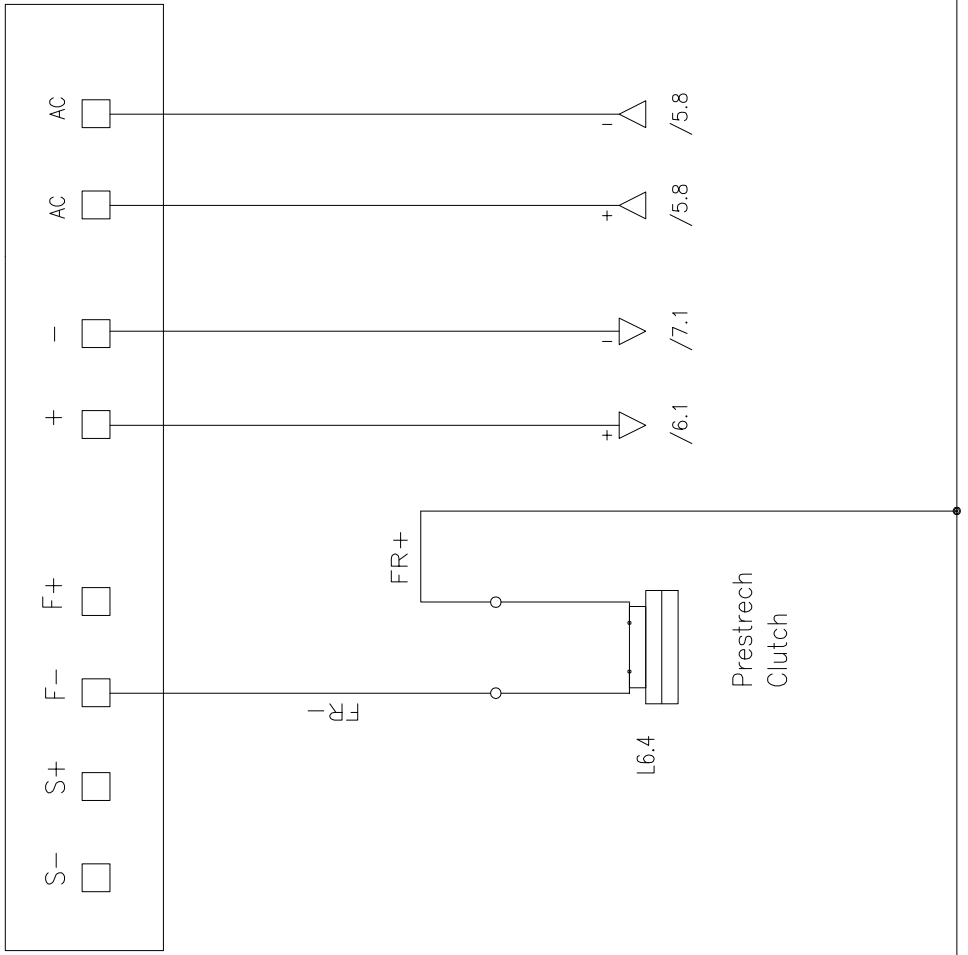
FS 250-270 FS6

=	
+	
13	SHEET
	N.S.
	3
	4

SYMBOL	FUNCTION	INITIAL	EXTENSION
	Scale sensor board	P...	
	Bipolar power switch	QF...	
	PRESTRETCH BOARD ELETTROFUTURA	S...	
	PNP Proximity	S...	
	HALL PRESTR. BOARD	S...	
	Proximity	S...	
	Emergency pushbutton NC	SB...	
	NO PUSH-BUTTON	SB...	
	NO microswitch	SQ...	
	Microswitch NC	SQ...	
	AC/DC Converter	UV...	

COPYING OF THIS DOCUMENT, AND GIVING IT TO OTHERS AND THE USE OR COMMUNICATION OF THE CONTENTS THEREOF, ARE FORBIDDEN WITHOUT EXPRESS AUTHORITY. OFFENDERS ARE LIABLE TO THE PAYMENT OF DAMAGES. ALL RIGHTS ARE RESERVED IN THE EVENT OF THE GRANT OF A PATENT OF THE REGISTRATION OF A UTILITY MODEL OR DESIGN

PROJECT: TYPE:



DATE	18/03/2010
COMMISS.	Servizi A.
CHECKED BY	
APPROV.	

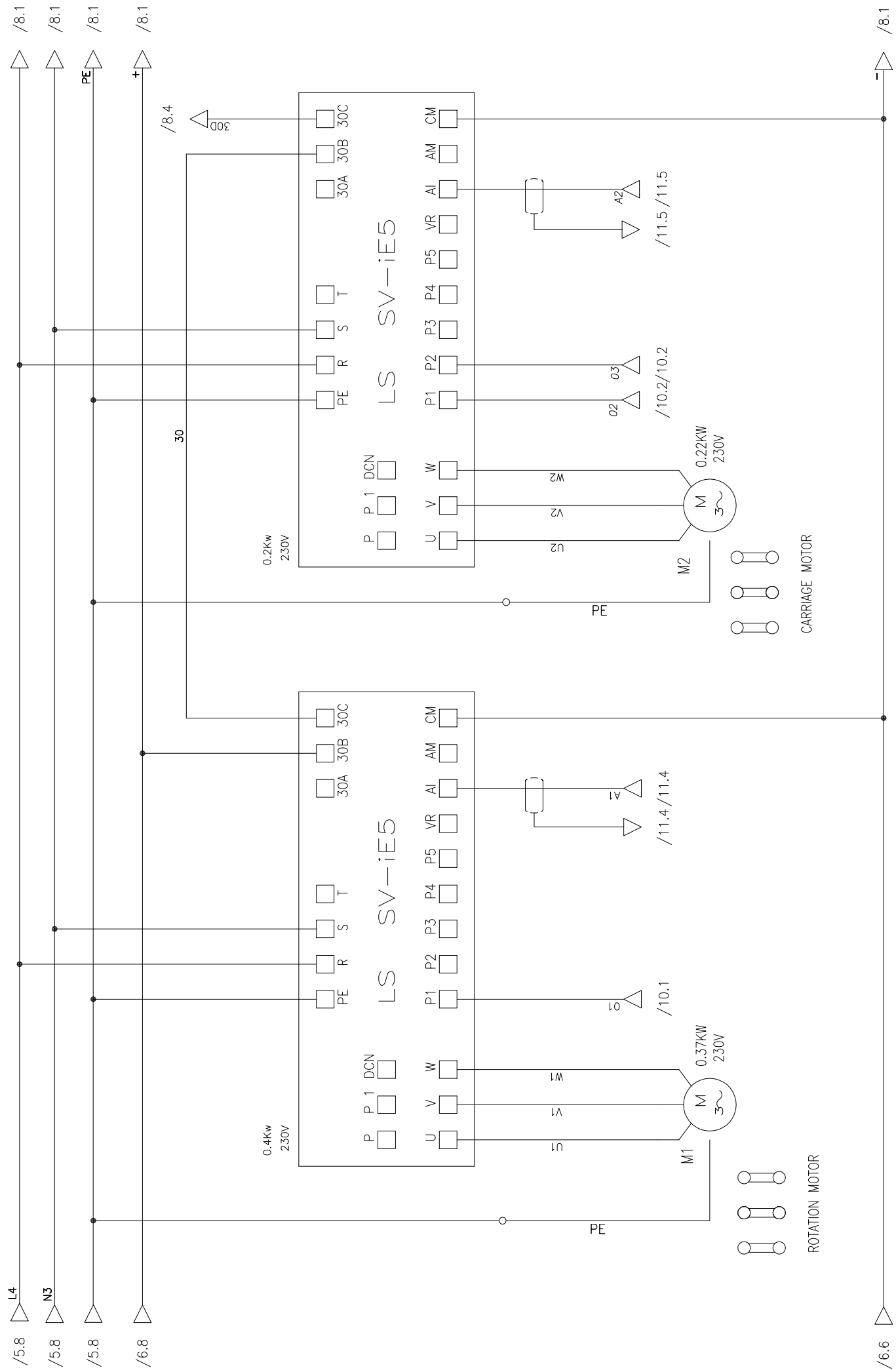
FROMM

POWER BOARD AUXILIARY

FS 250-270 FS6

=	AUXILIARY
+	
103	SHEET
	N.S.
	6
	7

PROJECT: TYPE:
 COPIING OF THIS DOCUMENT, AND GIVING IT TO OTHERS AND THE USE OR COMMUNICATION OF THE CONTENTS THEREOF, ARE FORBIDDEN WITHOUT EXPRESS AUTHORITY. OFFENDERS ARE LIABLE TO THE PAYMENT OF DAMAGES. ALL RIGHTS ARE RESERVED IN THE EVENT OF THE GRANT OF A PATENT OF THE REGISTRATION OF A UTILITY MODEL OR DESIGN



PROJECT: TYPE: /6.6

DATE	18/03/2010
COMMISS.	Servisi A.
CHECKED BY	
APPROV.	

FROMM

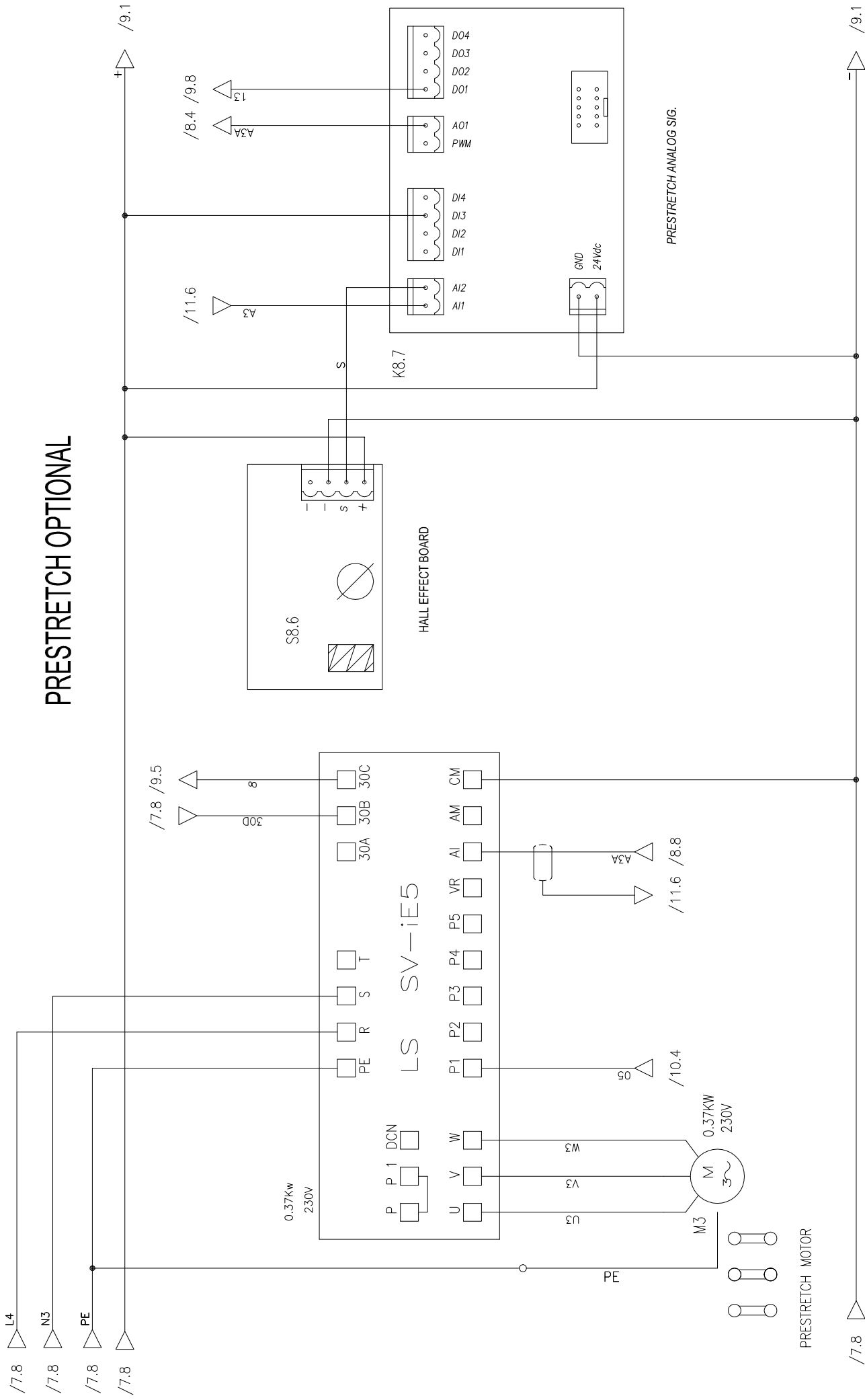
INVERTER

FS 250-270 FS6

SUBST. FOR:	
=	
+	
97	SHEET
N.S.	7
	8

PROJECT: TYPE:

PRESTRETCH OPTIONAL



DATE	18/03/2010
COMMISS.	Servizi A.
CHECKED BY	
APPROV.	



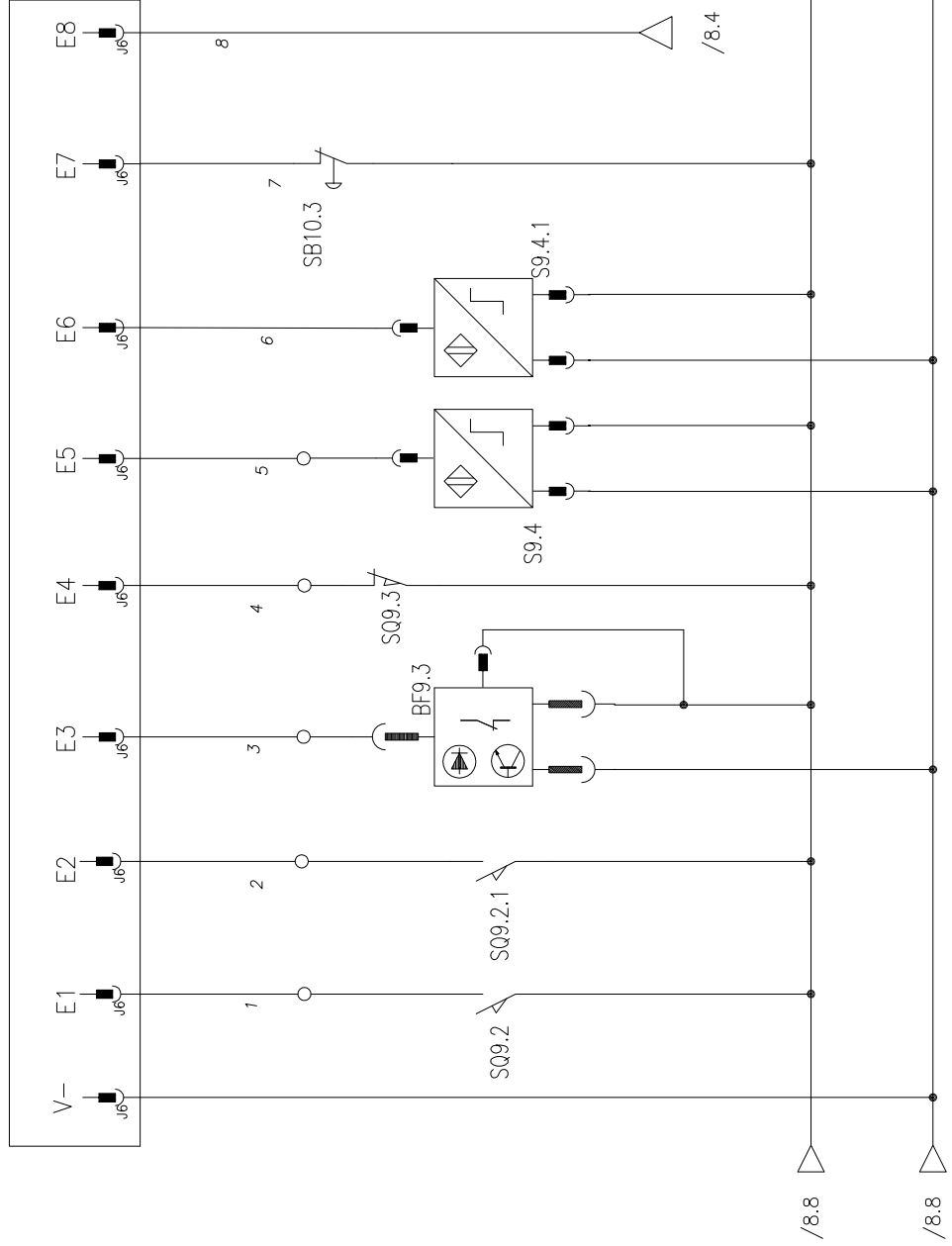
INVERTER END ANALOG

FS 250-270 FS6

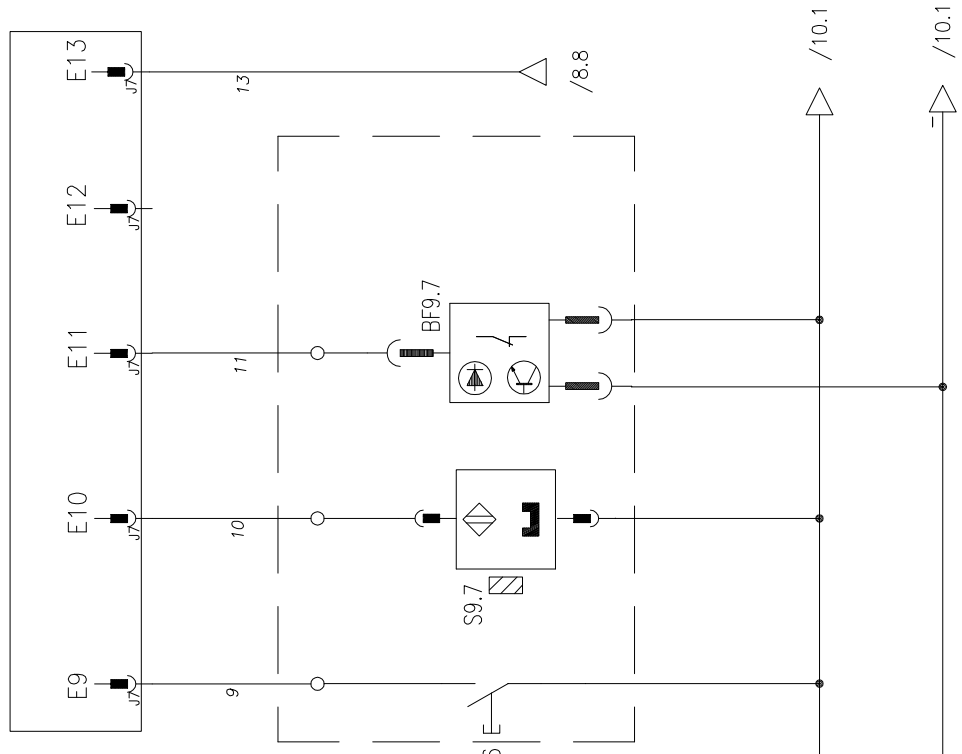
=	
+	
98	SHEET
N.S.	8
	9

M13A

J6



J7

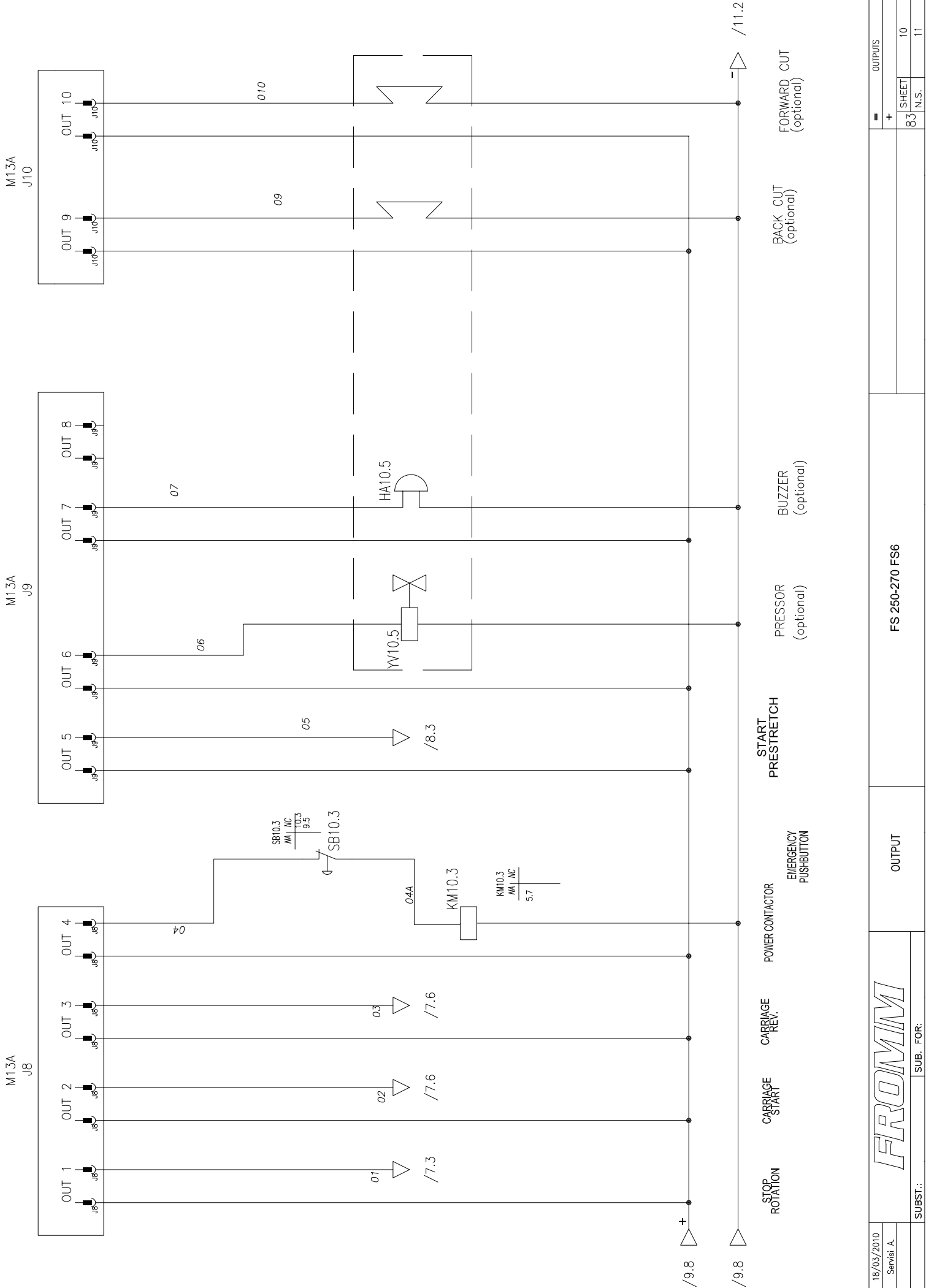


PROJECT: TYPE: DATE 18/03/2010
 COMMISS. Servisi A.
 CHECKED BY
 APPROV.

Carriage Down	Carriage Up	Carriage Up	Photocell Pallet Height	Carriage Emergency	Phase Table	Carriage Encoder	EMERGENCY PUSHBUTTON	Fault inverter	Prestrech Button (for 85)	Up Pressor (Optional)	Traspallet Security Photocell	end film
---------------	-------------	-------------	-------------------------	--------------------	-------------	------------------	----------------------	----------------	---------------------------	-----------------------	-------------------------------	----------

PROJECT: TYPE: DATE 18/03/2010		PROJECT: FS 250-270 FS6		INPUT		INPUTS	
COMMISS. Servisi A.							
CHECKED BY							
APPROV.							
SUBST.: SUB. FOR:		SUBST.: SUB. FOR:		SUBST.: SUB. FOR:		SUBST.: SUB. FOR:	
88 N.S.		88 N.S.		88 N.S.		88 N.S.	
9 SHEET		9 SHEET		9 SHEET		9 SHEET	
10		10		10		10	

PROJECT: TYPE:
 COPYING OF THIS DOCUMENT, AND GIVING IT TO OTHERS AND THE USE OR COMMUNICATION OF THE CONTENTS THEREOF, ARE FORBIDDEN WITHOUT EXPRESS AUTHORITY. OFFENDERS ARE LIABLE TO THE PAYMENT OF DAMAGES. ALL RIGHTS ARE RESERVED IN THE EVENT OF THE GRANT OF A PATENT OF THE REGISTRATION OF A UTILITY MODEL OR DESIGN



DATE	18/03/2010	FROMM		SUBST.: SUB. FOR:		OUTPUT		FS 250-270 FS6		OUTPUTS	
COMMISS.	Servizi A.										
CHECKED BY											
APPROV.											

COPYING OF THIS DOCUMENT, AND GIVING IT TO OTHERS AND THE USE OR COMMUNICATION OF THE CONTENTS THEREOF, ARE FORBIDDEN WITHOUT EXPRESS AUTHORITY. OFFENDERS ARE LIABLE TO THE PAYMENT OF DAMAGES. ALL RIGHTS ARE RESERVED IN THE EVENT OF THE GRANT OF A PATENT OF THE REGISTRATION OF A UTILITY MODEL OR DESIGN

PROJECT: TYPE:

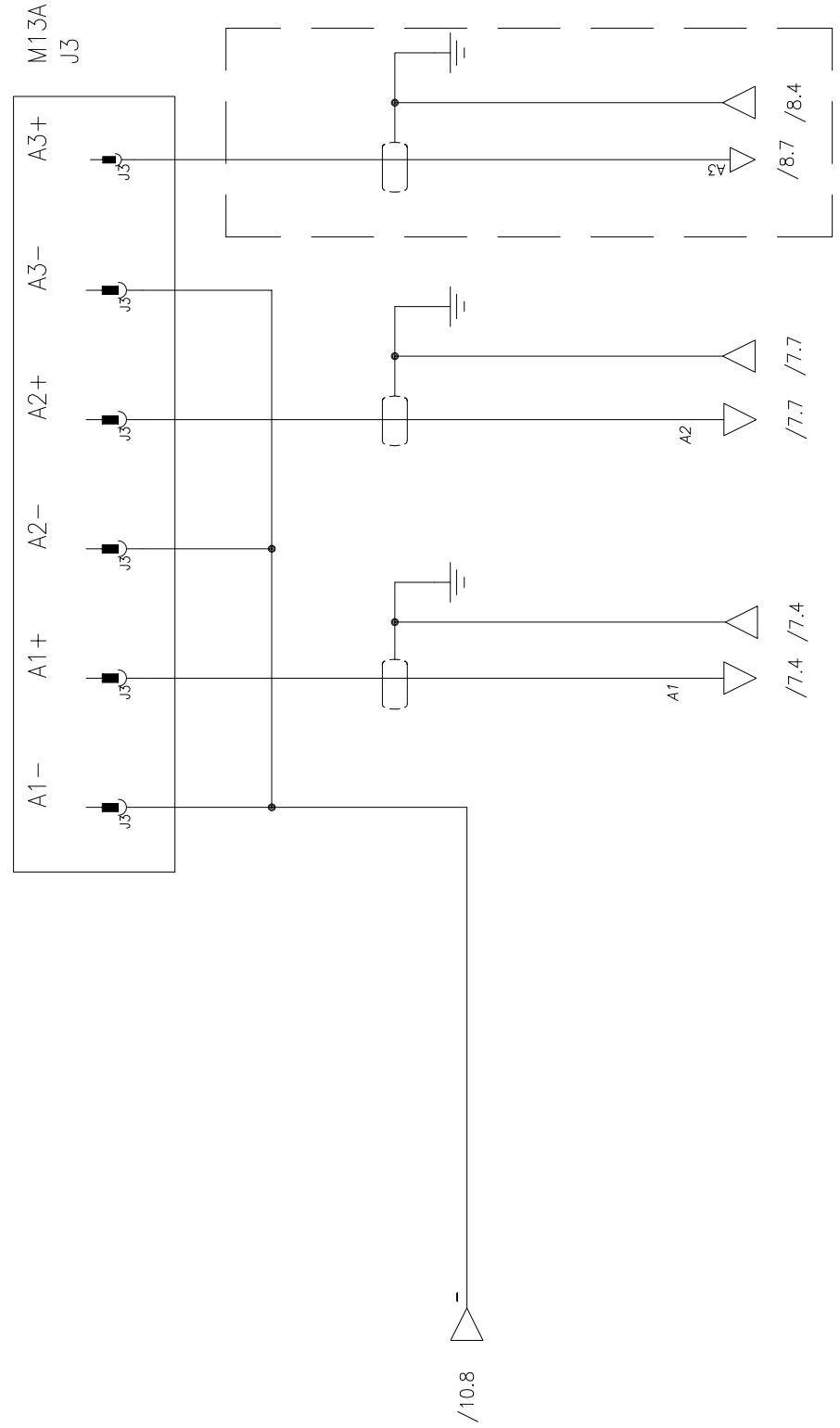
DATE 18/03/2010
 COMMISS. Servizi A.
 CHECKED BY
 APPROV.

FROMM
 SUBST.:
 SUB. FOR:

ANALOG OUTPUT INVERTERS

FS 250-270 FS6

= ANALOG OUTPUT
 +
 54 SHEET 11
 N.S. 12



ANALOG SIG. ROTATION

CARRIAGE ANALOGIC

PRESTRETCH ANALOG SIG. OPTIONAL

COPYING OF THIS DOCUMENT, AND GIVING IT TO OTHERS AND THE USE OR COMMUNICATION OF THE CONTENTS THEREOF, ARE FORBIDDEN WITHOUT EXPRESS AUTHORITY. OFFENDERS ARE LIABLE TO THE PAYMENT OF DAMAGES. ALL RIGHTS ARE RESERVED IN THE EVENT OF THE GRANT OF A PATENT OF THE REGISTRATION OF A UTILITY MODEL OR DESIGN

PROJECT:
TYPE:

DATE 18/03/2010
COMMISS. Serdisi A.
CHECKED BY
APPROV.

FROMM
SUBST.:
SUB. FOR:

CONTROL BOARD

FS 250-270 FS6

=	BOARDS
+	
11	SHEET
	N.S.
	12

CONTROL BOARD

J3

J5



J6

J7

J8

J9