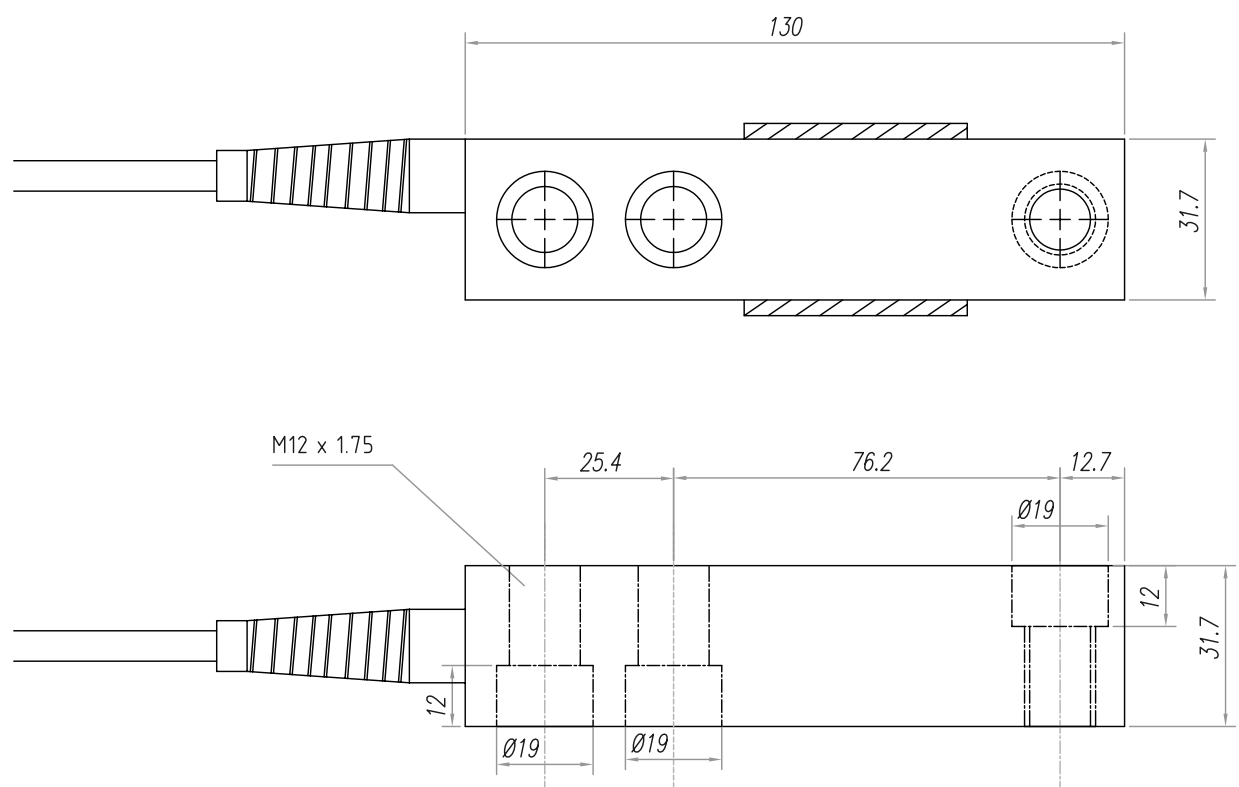
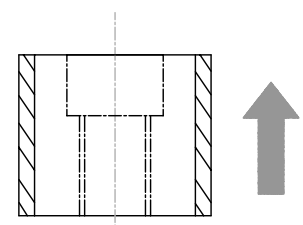


Aenderungen:
Modifiche:



Board LCSB-1 (FS2.1308 Only supplied with scale 16.8232)

- 1 = + Excitation (Wire colour = Red)
- 2 = + Signal (Wire colour = Green)
- 3 = - Signal (Wire colour = Wit)
- 4 = - Excitation (Wire colour = Black/Blue)
- 5 = SHIELD



FS30 16.8230 follow colour code with standard connectors.

Installation with
ARROW UP !!

FS30 (16.8230) Possibility to cut the cables shorter, but all at the same length.

	1	Lead Cell		M12 With tread		P/N SEB-1TCFM	
Gebrauch Zeichn Uso del disegno	Stueckzahl Numero pezzi	Gegenstand Oggetto	Pos.	Werkstoff Materiale	Gewicht/Stueck Peso/Pezzo	Bestandt. Nr. Elemento Nr.	Bemerkungen Osservazioni
Freimass-Toleranzen Tolleranze della misure libere		Aenderungen: Modifiche:			Keine Nessuna Stueckliste separat Lista pezzi separata	Ersetzt durch Sostituito da Ersatz fuer Sostituisce	
	Typ: Type	Lead Cell Scale unit FS30 D — FS2.1324.01			Masstab Scala 1:1.5	Gezeichnet Disegnato Gepuert Controllato	Pennings 08-09-05
		FROMMM				Gesehen Visto	FS2.1324