

FROMM

Numbers & Drawings Art. code : FS4.1398

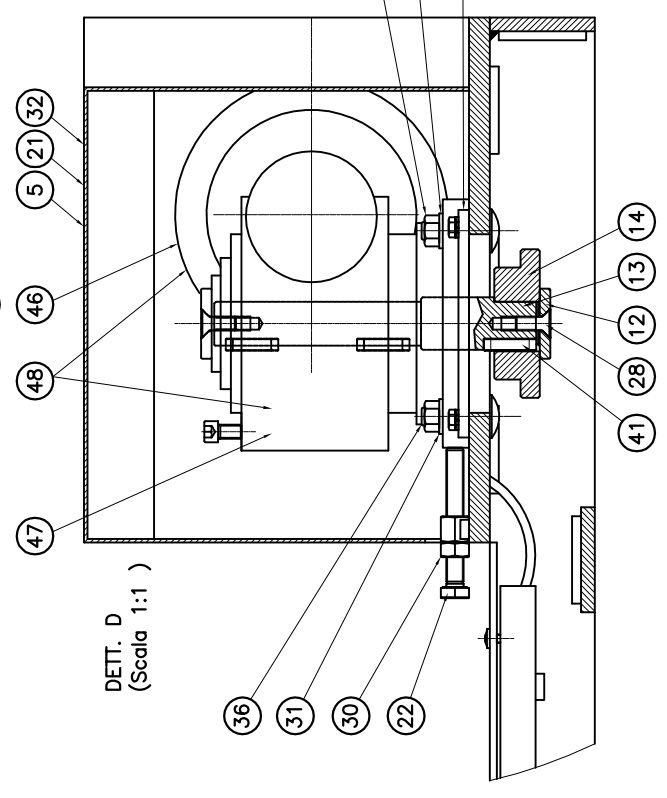
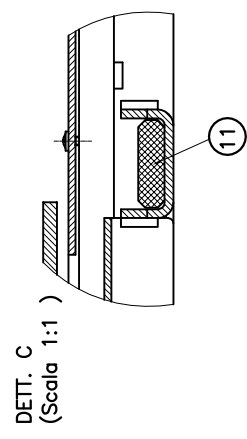
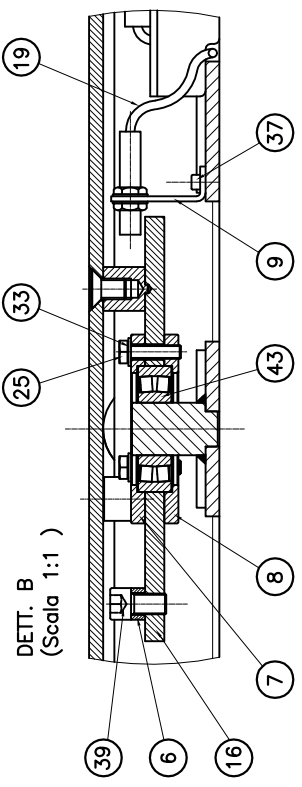
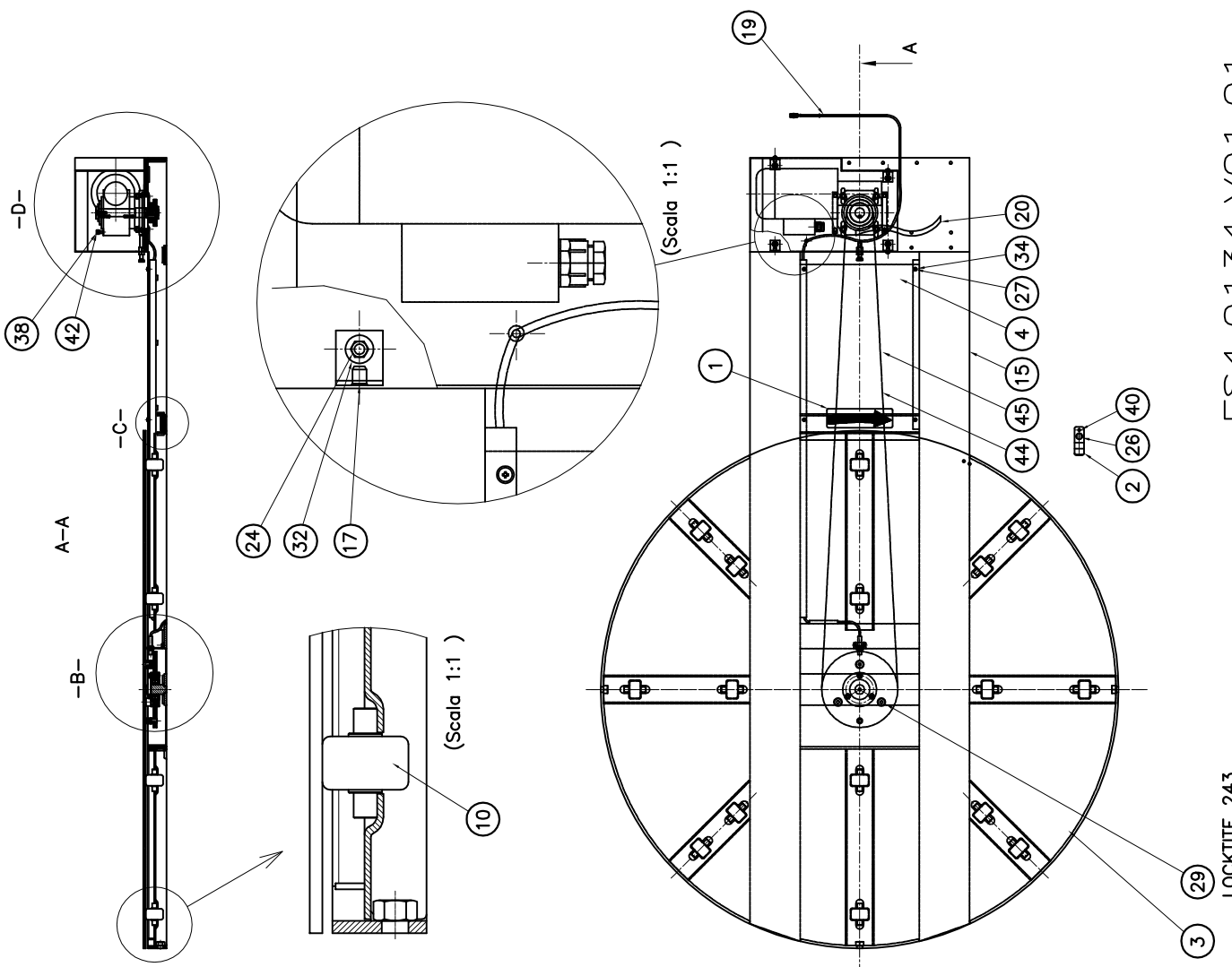
**Stretch Wrapping machine's
FS4xx**

**Version 02 Machines
Version 01 List**

Website : www.fromm-stretch.com

SPARE-PARTS_FS4xx.V02.EN01/a.servisi/ © 03/10

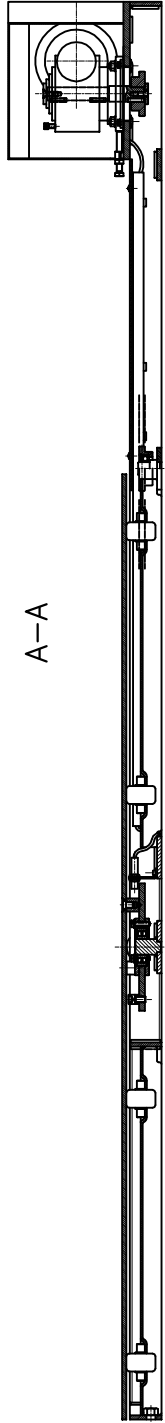
Machine code	Description	Base Unit	Operation Panel	Mast	Stretch	Mast Top-Plate	Arm Top-Plate
30.1801	FS400 OP4/D1650/H2050/C7	FS4.0134	FS4.0129/SLO	FS4.0135	FS4.0132		
30.1805	FS400 OP4/D1800/H2050/C7	FS4.0136	FS4.0129/SLO	FS4.0135	FS4.0132		
30.1810	FS400 OP4/D2200/H2050/C7	FS4.0151	FS4.0129/SLO	FS4.0135	FS4.0132		
30.1815	FS400 OP4/HSR-D1650/H2050/C7	FS4.0156	FS4.0131/SLO	FS4.0135	FS4.0132		
30.1818	FS400 OP4/HSF-D1650/H2050/C7	FS4.0153	FS4.0131/SLO	FS4.0135	FS4.0132		
30.1820	FS401 OP4/D1650/H2600/C7	FS4.0134	FS4.0129/SLO	FS4.0138	FS4.0132		
30.1821	FS401 OP4/D1650/H3200/C7	FS4.0134	FS4.0129/SLO	FS4.0161	FS4.0132		
30.1825	FS401 OP4/D1800/H2600/C7	FS4.0136	FS4.0129/SLO	FS4.0138	FS4.0132		
30.1826	FS401 OP4/D1800/H2600/C7	FS4.0154	FS4.0129/SLO	FS4.0138	FS4.0132		
30.1827	FS401 OP4/D1800/H3200/C7	FS4.0136	FS4.0129/SLO	FS4.0161	FS4.0132		
30.1830	FS401 OP4/D2200/H2600/C7	FS4.0151	FS4.0129/SLO	FS4.0138	FS4.0132		
30.1831	FS401 OP4/D2200/H3200/C7	FS4.0151	FS4.0129/SLO	FS4.0161	FS4.0132		
30.1835	FS401 OP4/HSR-D1650/H2600/C7	FS4.0156	FS4.0131/SLO	FS4.0138	FS4.0132		
30.1838	FS401 OP4/HSF-D1650/H2600/C7	FS4.0153	FS4.0131/SLO	FS4.0138	FS4.0132		
30.1839	FS401 OP4/HSF-D1650/H2600/C7	FS4.0160	FS4.0131/SLO	FS4.0138	FS4.0132		
30.1840	FS402 OP4/D1650/H2050/C7	FS4.0134	FS4.0130/SLO	FS4.0135	FS4.0132	FS4.0139	FS4.0140
30.1845	FS402 OP4/D1800/H2050/C7	FS4.0136	FS4.0130/SLO	FS4.0135	FS4.0132	FS4.0139	FS4.0141
30.1855	FS402 OP4/HSR-D1650/H2050/C7	FS4.0156	FS4.0145/SLO	FS4.0135	FS4.0132	FS4.0139	FS4.0142
30.1858	FS402 OP4/HSF-D1650/H2050/C7	FS4.0153	FS4.0145/SLO	FS4.0135	FS4.0132	FS4.0139	FS4.0158
30.1860	FS403 OP4/D1650/H2600/C7	FS4.0134	FS4.0130/SLO	FS4.0138	FS4.0132	FS4.0143	FS4.0140
30.1865	FS403 OP4/D1800/H2600/C7	FS4.0136	FS4.0130/SLO	FS4.0138	FS4.0132	FS4.0143	FS4.0141
30.1875	FS403 OP4/HSR-D1650/H2600/C7	FS4.0156	FS4.0145/SLO	FS4.0138	FS4.0132	FS4.0143	FS4.0142
30.1876	FS403 OP4/D1650/H2850/C7	FS4.0134	FS4.0130/SLO	FS4.0162	FS4.0132	FS4.0143	FS4.0140
30.1878	FS403 OP4/HSF-D1650/H2600/C7	FS4.0153	FS4.0145/SLO	FS4.0138	FS4.0132	FS4.0143	FS4.0142
30.1880	FS404 OP4/D1650/H3400/C7	FS4.0134	FS4.0130/SLO	FS4.0169	FS4.0132	FS4.0143	FS4.0140
30.1885	FS404 OP4/D1800/H3400/C7	FS4.0136	FS4.0130/SLO	FS4.0169	FS4.0132	FS4.0143	FS4.0141



FS4.0134.VO1.01

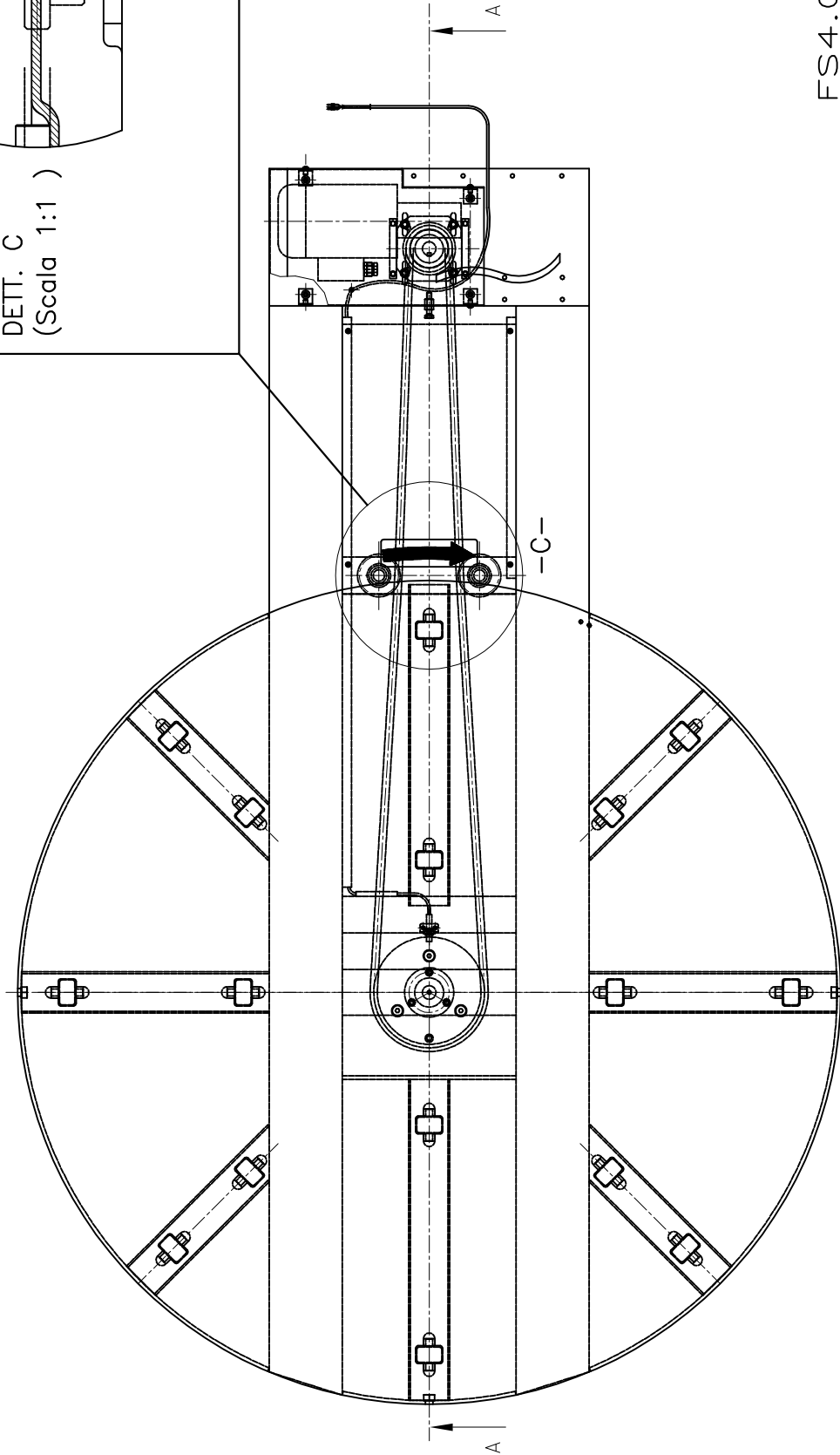
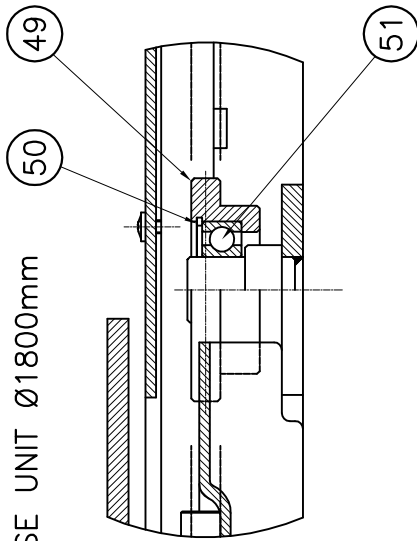
LOCKTITE 243

A-A

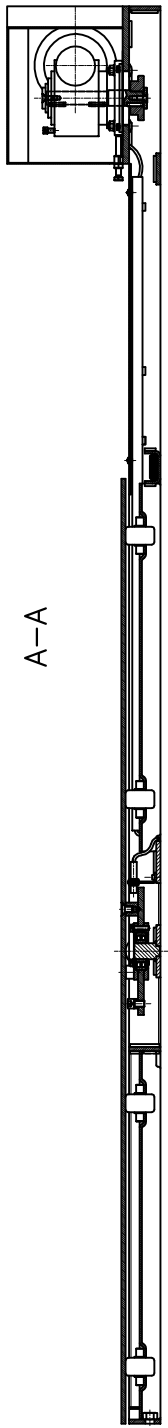


DIFFERENCE FROMM Ø1650mm
ONLY FOR BASE UNIT Ø1800mm

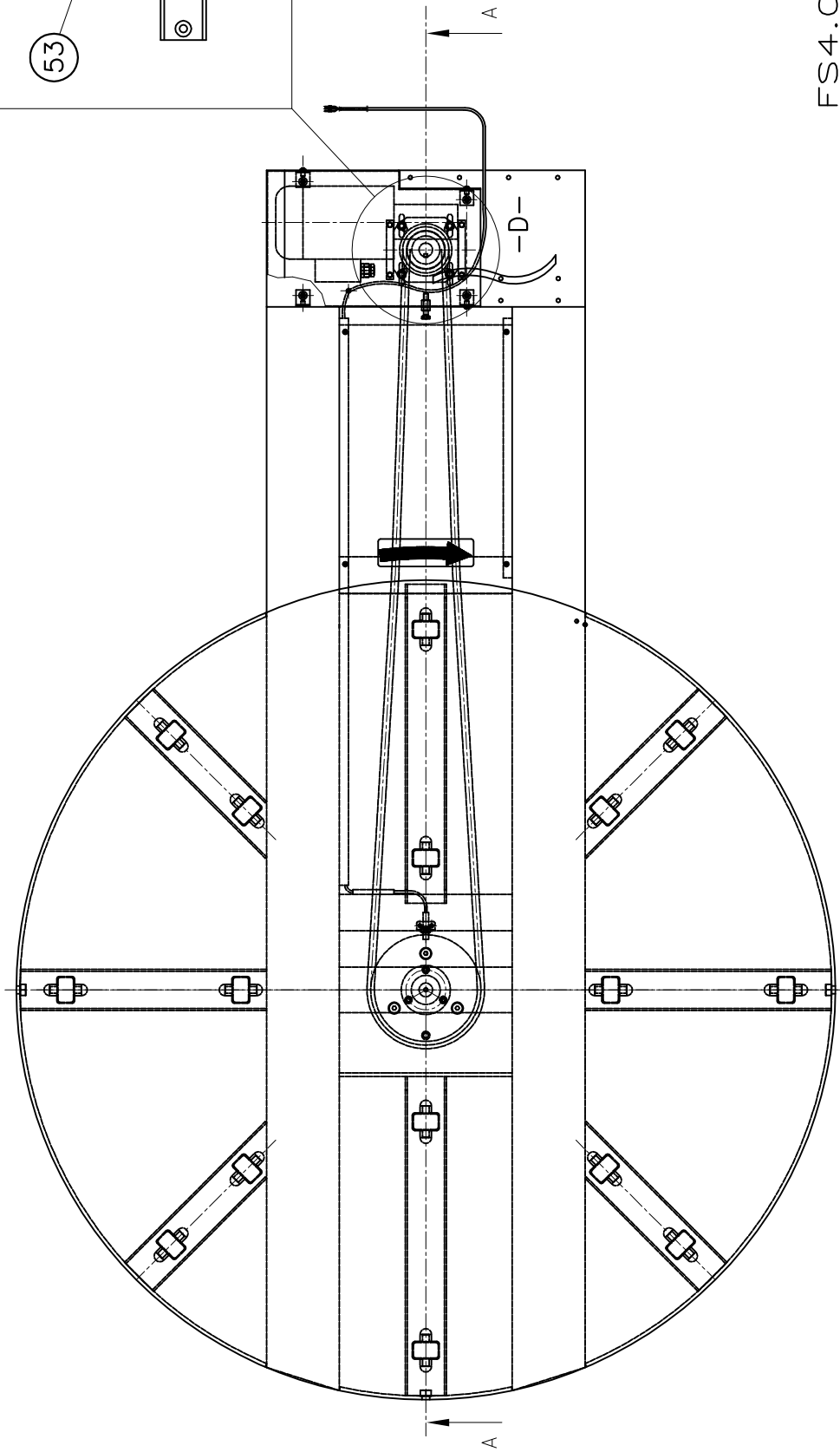
DETT. C
(Scala 1:1)



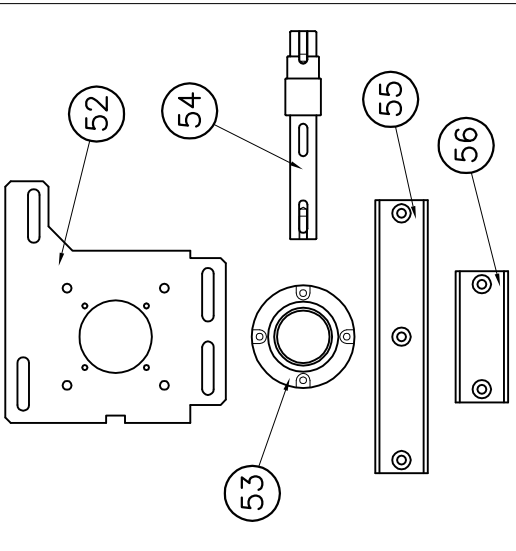
FS4.0136.VO1.01



A-A



DIFFERENCE FROMM Ø1650mm
 ONLY FOR BASE UNIT Ø2200mm
 DETT. D
 (Scala 2:1)



Modificata
 Modificato

Disegnata
 Disegnato

FS4.0151.V01.01

FS4.0134/FS4.0136/FS4.0151 Base Unit (Ø1650/Ø1800/Ø2200mm)

Part no.	RIF	Description	Specification English	Quantity
FS1.1379	1	Label	LABEL WITH DRAWING OF ARROW	1
FS1.1383	2	Plate	PLATE FOLDED FIXED ON THE TURNTABLE	1
FS4.1001	3	Disk	PAINTED DISK D.1650 YELLOW RAL 1021	1
FS4.1093	3	Disk	PAINTED DISK D.1800 YELLOW RAL 1021	1
FS4.1173	3	Disk	PAINTED DISK D.2200 YELLOW RAL 1021	1
FS4.1002	4	Cover	PAINTED CLOSING BASE D.1650 BLUE RAL 5010	1
FS4.1095	4	Cover	PAINTED CLOSING BASE D1800/2200 BLUE RAL5010	1
FS4.1003	5	Carter	PAINTED MOTOR CARTER BLUE RAL 5010	1
FS4.1013	6	Bush	SPACER M12	1
FS4.1014	7	Flange	BALL BEARING HOUSING	1
FS4.1015	8	Flange	BALL BEARING HOUSING	1
FS4.1016	9	Bracket	PROXIMITY BRACKET	1
FS4.1017	10	Roll	ROLL	16
FS4.1018	11	Plate	PLATE	1
FS4.1019	12	Washer	SPECIAL WASHER	2
FS4.1020	13	Shaft	SHAFT	1
FS4.1021	14	Pinion	PINION	1
FS4.1078	15	Group	PAINTED BASE UNIT DIAMETER 1650 BLUE RAL 5010	1
FS4.1094	15	Group	PAINTED BASE UNIT DIAMETER 1800 BLUE RAL 5010	1
FS4.1174	15	Group	PAINTED BASE UNIT DIAMETER 2200 BLUE RAL 5010	1
FS4.1079	16	Group	WELDED GEAR-SHAFT GROUP	1
FS4.1080	17	Group	BRACKET-RIVET GROUP	4
FS4.1168	18	Guide	MOTOR GUIDE	2
FS4.1210	19	Cable	PROXIMITY CABLE (BASE UNIT)	1
FS4.1248	20	Sheath	SHEATH PVC GREY	1
N1.1222	21	Screw	BUTTON HEAD SCREW ISO 7380 - M6 x 20	4
N1.1425	22	Bolt	HEXAGONAL HEAD BOLT M10x80 ZINCED DIN 933	1
N1.1518	23	Screw	HEXAGONAL HEAD BOLT M6x18 ZINCED DIN 933	4
N1.1573	24	Screw	HEXAGONAL HEAD BOLT M6x12 ZINCED DIN 933	4
N1.1580	25	Bolt	HEXAGONAL HEAD BOLT M8x30 ZINCED DIN 933	3
N1.1591	26	Bolt	HEXAGONAL HEAD BOLT M10x12 ZINCED DIN 933	1
N1.1942	27	Screw	CYLINDRICAL HEAD CAP SCREW M5x10 ZN DIN 7985	4
N1.2147	28	Bolt	SOCKET CTRS. HD BOLT M8x20 DIN 7991	2
N1.2167	29	Bolt	SOCKET CTRS. HD BOLT M12x20 DIN 7991	3
N1.5108	30	Nut	NUT CL.8 PG M10 DIN 934	1

FS4.0134/FS4.0136/FS4.0151 Base Unit (Ø1650/Ø1800/Ø2200mm)

Part no.	RIF Description	Specification English	Quantity
N1.6161	31 Washer	PLAIN WASHER M10 10,5x20x2 ZINCED DIN 125A	4
N1.6163	32 Washer	PLAIN WASHER M6 6,4x12x1,6 ZINCED DIN 125A	8
N1.6164	33 Washer	PLAIN WASHER M8 8,4x16x1,6 ZINCED DIN 125A	3
N1.6167	34 Washer	PLAIN WASHER M5 5,3x10x1 ZINCED DIN 125A	4
N1.6220	35 Washer	PLAIN WASHER M6 (9.9x1.6) ZINCED DIN 7980	4
N1.7327	36 Nut	NUT M10x40 ZINCED DIN 603	4
N11.1118	37 Screw	CYLINDRICAL HEAD SCREW M5x10 ZINCED DIN 912	2
N11.1149	38 Bolt	CYLINDRICAL HEAD SCREW M8x30 ZINCED DIN 912	1
N11.1194	39 Bolt	CYLINDRICAL HEAD SCREW M12x20 ZINCED DIN 912	1
N2.2455	40 Elastic thorn	ELASTIC THORN D.8x10 BLACK DIN 1481	1
N2.3349	41 Key	KEY 8x7x30 DIN 6885A	3
N2.7201	42 Plastic tie	PLASTIC TIE 170x4.8	1
N3.4901	43 Ball Bearing	BALL BEARING 30x72x19 21306CC	1

N4.7347	44 Chain	CHAIN 3/4"x7/16" 185 LINKS BASE UNIT D.1650	1
N4.7353	44 Chain	CHAIN 3/4"x7/16" 197 LINKS BASE UNIT D.1800	1

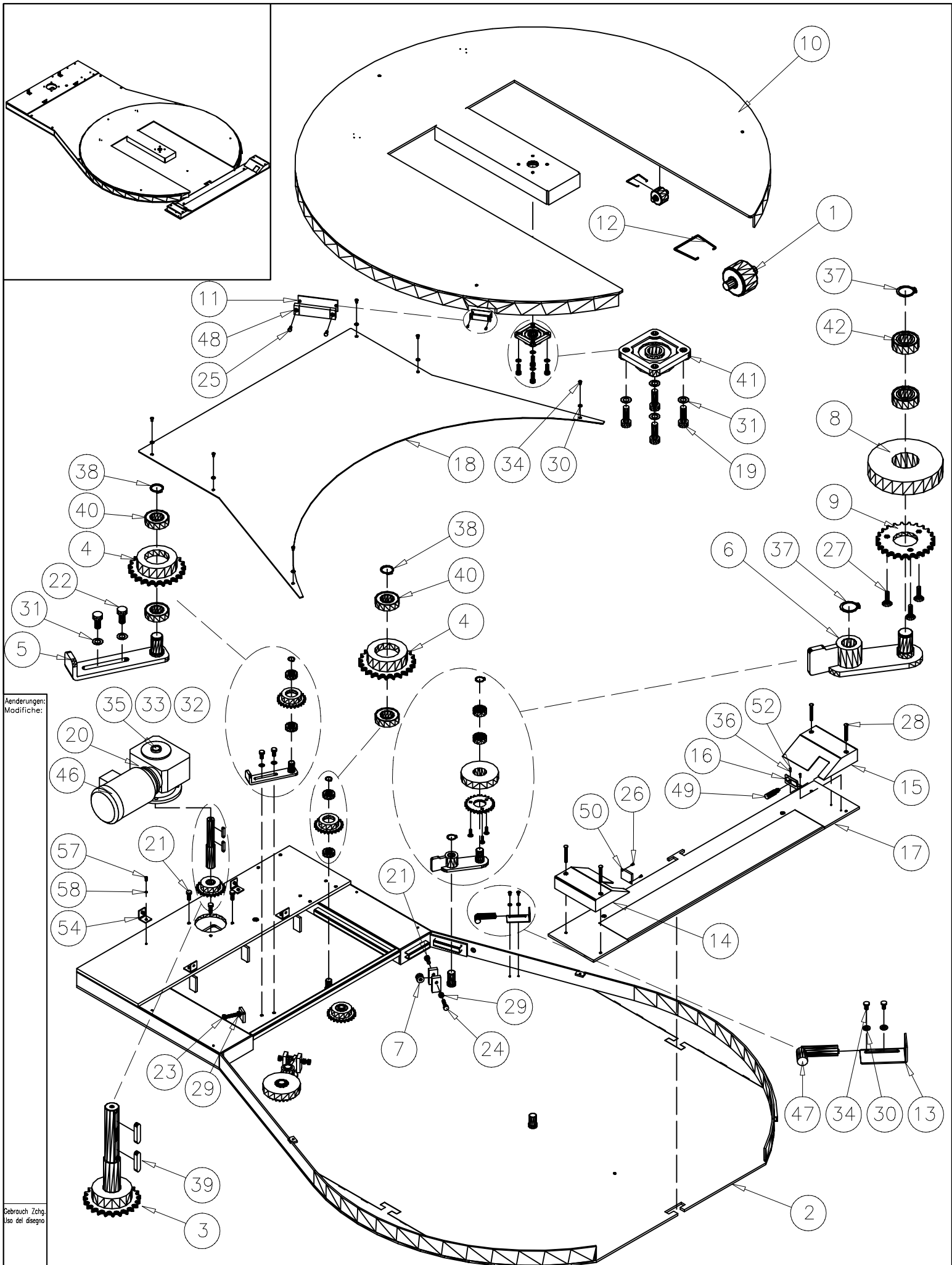
N4.7404	45 Link	LINK 3/4"x7/16"	1
N5.1181	46 Motor	MOTOR 4POLES T80B 0,75KW V230/400 FLANGE B14	1
N4.7631	47 Gear	GEAR FRS60 FAB5i 1:49 PAM80 B14	1
N5.1184	48 Motor/Gear	GEARBOX IEC80 0.75kW/4 POLES 230/400V 50Hz	1

DIFFERENCE FROMM Ø1650mm (ONLY FOR FS4.0136 Base Unit Ø1800mm)

FS4.1096	49 Pinion	PINION	2
N2.1217	50 Seeger	SEEGER FOR HOLES TYPE J D.52 DIN 472	2
N3.1181	51 Ball Bearing	BALL BEARING 6205.2RS1 25x52x15	2

DIFFERENCE FROMM Ø1650mm (ONLY FOR FS4.0151 Base Unit Ø2200mm)

FS4.1176	52 Plate	PLATE	1
FS4.1178	53 Flange	BALL BEARING HOUSING	1
FS4.1179	54 Shaft	SHAFT	1
FS4.1180	55 Polizene	POLIZENE	1
FS4.1181	56 Polizene	POLIZENE	2
N1.1511	57 Bolt	HEXAGON HEAD BOLT M10x30 DIN 933 GALVANIZED	4
N1.1546	58 Bolt	HEXAGON HEAD BOLT M10x25 DIN 933 GALVANIZED	4
N1.1586	59 Bolt	HEXAGON HEAD BOLT M8x12 DIN 933 GALVANIZED	4
N1.2147	29 Bolt	SOCKET CTRS. HD BOLT M8x20 DIN 7991	2+7
N1.6109	61 Washer	WASHER D.24x8.4 DIN 9021/B GALVANIZED	4
N1.6189	62 Washer	WASHER 10.5x28x4 DIN 6340 GALVANIZED	4
N1.6220	63 Washer	PLAIN WASHER M6 (9.9x1.6) ZINCED DIN 7980	4
N11.1142	64 Screw	CYLINDRICAL HEAD SCREW M6x16 DIN 912 GALV.	4
N3.1116	65 Ball Bearing	BALL BEARING 30x55x13 6006.2RS	1



Anderungen:
Modifiche:

Gebrauch: Zehg.
Uso del disegno

FS4.0153/FS4.0156.V01.02

www.fromm-stretch.com

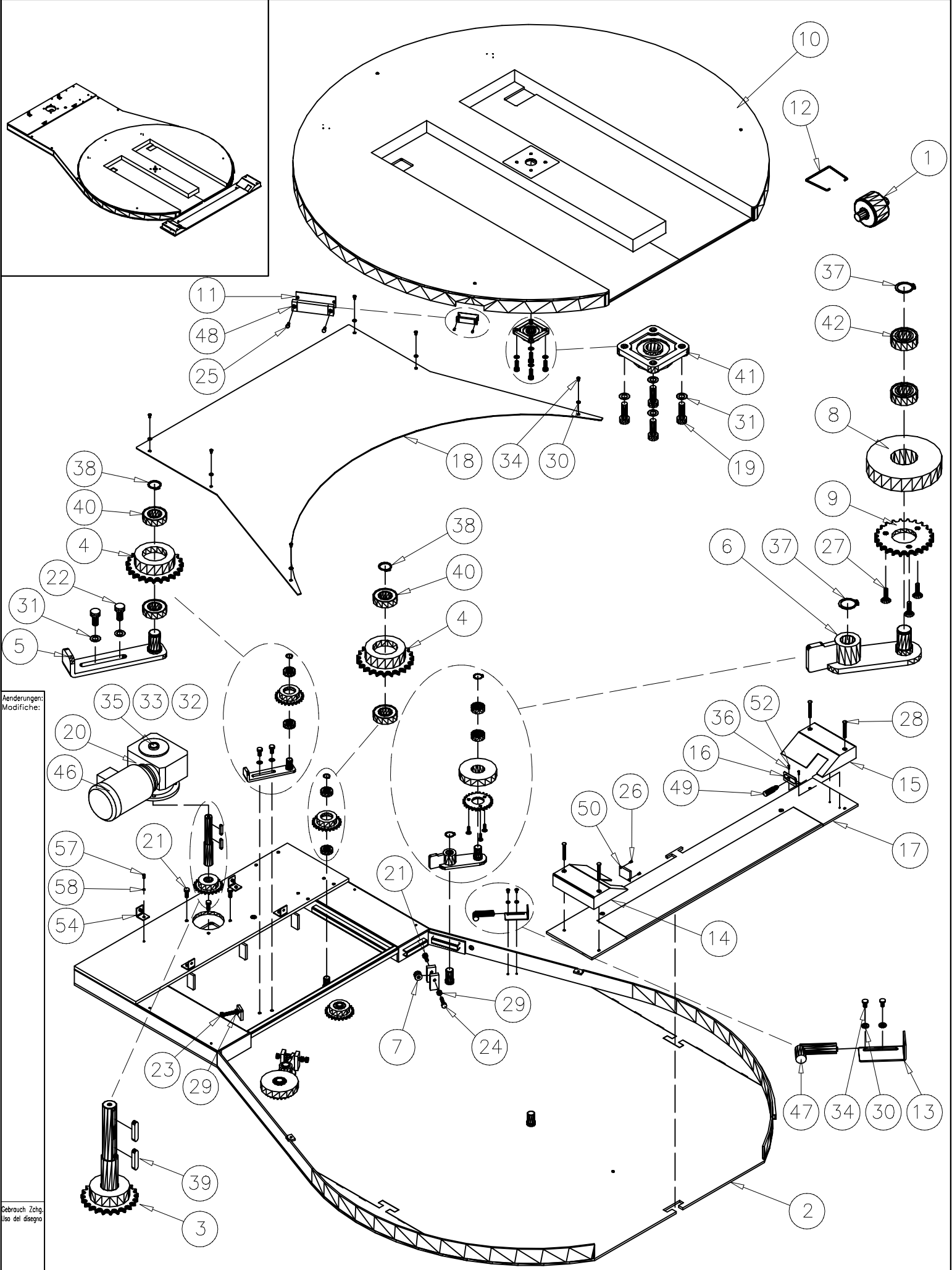
FROMM

FS4.0153/FS4.0156 Horse Shoe Ø1650mm (Front/Right side loading)

Part no.	RIF Description	Specification English	Quantity
FS4.1017	1 Roll	ROLL	8
FS4.1412	2 Group	PAINTED BASE UNIT D. 1650 FRONT BLUE RAL 5010	1
FS4.1481	2 Group	PAINTED BASE UNIT D. 1650 RIGHT BLUE RAL 5010	1
FS4.1437	3 Group	SHAT-PINION 1/2"X5/16" Z=23 GROUP	1
FS4.1440	4 Pinion	PINION 1/2"X5/16" Z=20	3
FS4.1441	5 Bracket	BRACKET	1
FS4.1444	6 Bracket	BRACKET	2
FS4.1449	7 Spring	POLIURETANIC SPRING D.E.=25 D.I.=10.5 L=20	2
FS4.1450	8 Wheel	RUBBERED WHEEL D=110 FE37	2
FS4.1451	9 Pinion	PINION 1/2"X5/16" Z=24	2
FS4.1452	10 Disk	PAINTED DISK D.1650 YELLOW RAL 1021	1
FS4.1461	11 Plate	PLATE	1
FS4.1462	12 Wire steel	INOX AISI 302 WIRE STEEL STOP ROLL	8
FS4.1463	13 Bracket	BRACKET	1
FS4.1464	14 Support	REFLECTOR SUPPORT	1
FS4.1467	15 Support	PHOTOCELL SUPPORT	1
FS4.1469	16 Bracket	PHOTOCELL BRACKET	1
FS4.1470	17 Access	TRANSPALLET ACCESS	1
FS4.1471	18 Cover	PAINTED CLO. BASE D.1650 FRONT BLUE RAL 5010	1
FS4.1487	18 Cover	PAINTED CLO. BASE D.1650 RIGHT BLUE RAL 5010	1
N1.1511	19 Bolt	HEXAGONAL HEAD BOLT M10x30 ZINCED DIN 933	4
N1.1523	20 Screw	HEXAGONAL HEAD SCREW M6x25 ZINCED DIN 933	4
N1.1546	21 Bolt	HEXAGONAL HEAD BOLT M10x25 ZINCED DIN 933	6
N1.1548	22 Bolt	HEXAGONAL HEAD BOLT M10x20 ZINCED DIN 933	2
N1.1568	23 Bolt	HEXAGONAL HEAD BOLT M10x50 ZINCED DIN 933	1
N1.1572	24 Bolt	HEXAGONAL HEAD BOLT M10x40 ZINCED DIN 931	2
N1.1614	25 Screw	CYLINDRICAL HEAD SCREW M3x16 ZINCED DIN 85A	2
N1.1911	26 Screw	PHILIPS HEAD SCREW M4x8 ZINCED	2
N1.2168	27 Bolt	SOCKET CTRS. HD BOLT M8x16 ZINCED DIN 7991	6
N1.2190	28 Bolt	SOCKET CTRS. HD BOLT M8x60 ZINCED DIN 7991	4
N1.5108	29 Nut	NUT CL.8 PG M10 DIN 934	3
N1.6114	30 Washer	PLAIN WASHER M6 6,4x12x1,6 ZINCED DIN 125A	8
N1.6161	31 Washer	PLAIN WASHER M10 10,5x20x2 ZINCED DIN 125A	6
N1.6195	32 Washer	PLAIN WASHER M8 8,5x32x2,5 ZINCED DIN 125A	1
N1.6215	33 Washer	WASHER GROWER M8 ZINCED DIN 127 -B-	1
N11.1121	34 Screw	CYLINDRICAL HEAD SCREW M6x10 ZINCED DIN 912	8
N11.1141	35 Bolt	CYLINDRICAL HEAD BOLT M8x20 ZINCED DIN 912	1

FS4.0153/FS4.0156 Horse Shoe Ø1650mm (Front/Right side loading)

Part no.	RIF Description	Specification English	Quantity
N11.1162	36 Screw	CYLINDRICAL HEAD SCREW M4x10 ZINCED DIN 912	2
N2.1105	37 Seeger	ELASTIC RING TYPE A DIN 471 D.25	4
N2.1108	38 Seeger	ELASTIC RING TYPE A DIN 471 D.20	3
N2.3308	39 Key	KEY 8x7x40 DIN 6885	2
N3.1177	40 Ball bearing	BALL BEARING 20x42x12 6004 2RSL	6
N3.4624	41 Support	SWINGING BRACKET UCF 205	1
N31.1141	42 Ball bearing	BALL BEARING 25x47x16 63005 2RS1	4
N4.7357	43 Chain	CHAIN 1/2"x5/16" 285 LINK ISO 08B-1	1
N4.7413	44 Link	SPRING CLIP (LINK) 1/2"x5/16" ISO 08B-1	1
N4.7417	45 End-link	LINK WITH SPLIT PIN C126 N.13 ISO 08B-1	1
N5.1198	46 Gearbox	GEARBOX SW063 I=10 ENG. 80B 4POLES 0.55kW B14	1
N5.2643	47 Photocell	PHOTOCELL REFLECTING 90°	1
N5.2644	48 Reflector	REFLECTING RL 112-G 19X73 MD	1
N5.2667	49 Photocell	PHOTOCELL REFLECTING E3F2-R2BA-P1-E	1
N5.2668	50 Reflector	REFLECTING E39-R1	1
N5.3134	51 Cable	CABLE FOR PHOTOCELL OR PROXIMITY L.5M D12	1
N5.3172	52 Cable	CABLE FOR PHOTOCELL OR PROXIMITY L.2M D12 90°	1
FS4.1059	53 Carter	MOTOR CARTER BLUE RAL 5010	1
FS4.1080	54 Group	BRACKET-RIVET GROUP	4
FS4.1248	55 Tube	PVC TUBE	1
N1.1222	56 Screw	BUTTON HEAD SCREW ISO 7380 - M6 x 20	4
N1.1573	57 Screw	HEXAGONAL HEAD BOLT M6x12 ZINCED DIN 933	4
N1.6163	58 Washer	PLAIN WASHER M6 6,4x12x1,6 ZINCED DIN 125A	8



Anderungen:
Modifiche:

Gebrauch Zehg.
Uso del disegno

FS4.0160.V01.02

FROMMM

www.fromm-stretch.com

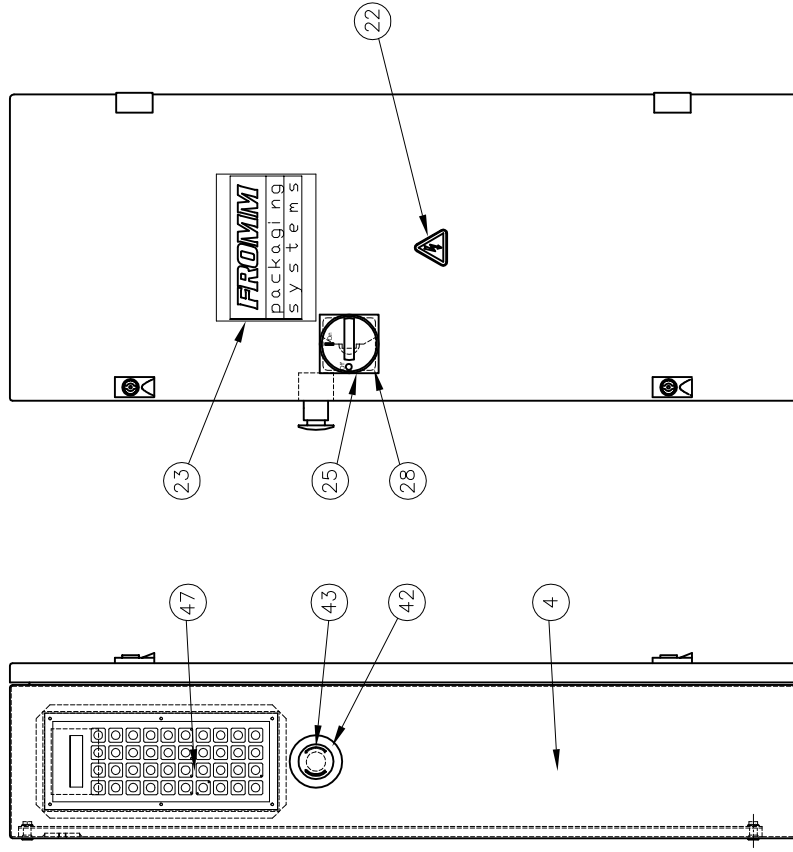
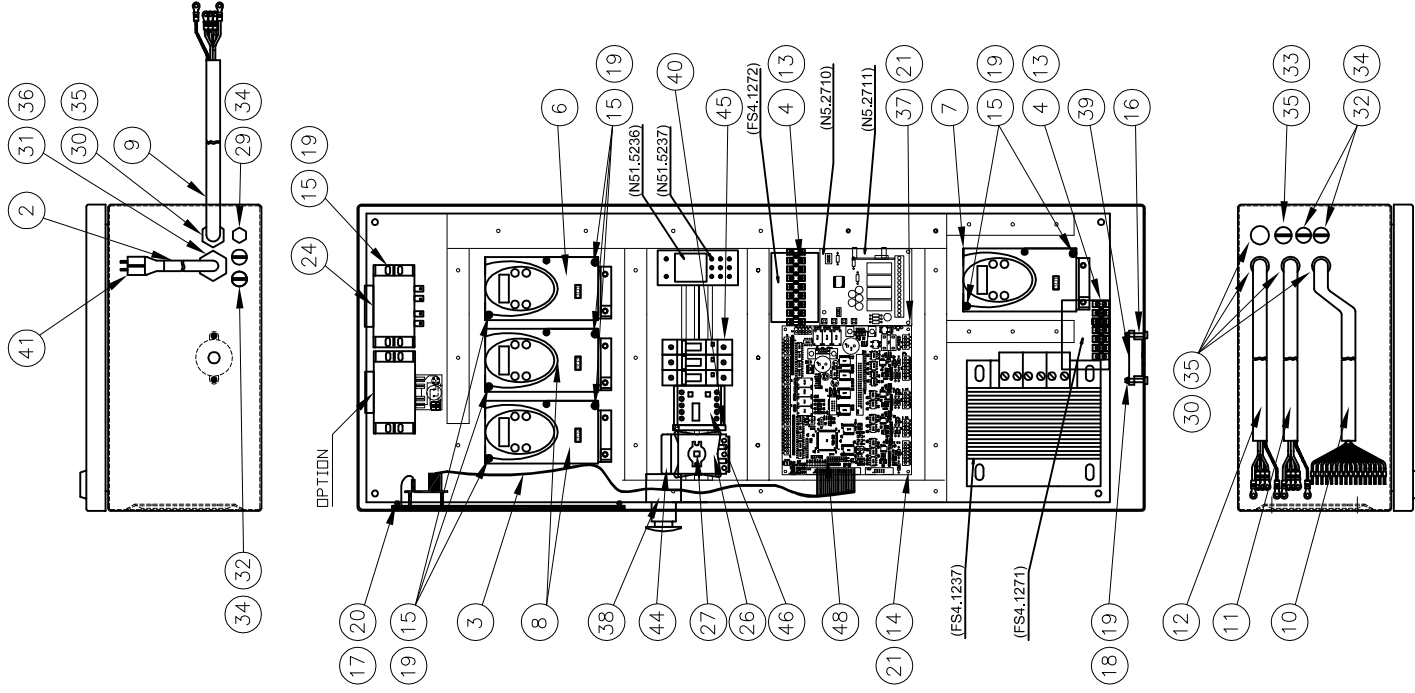
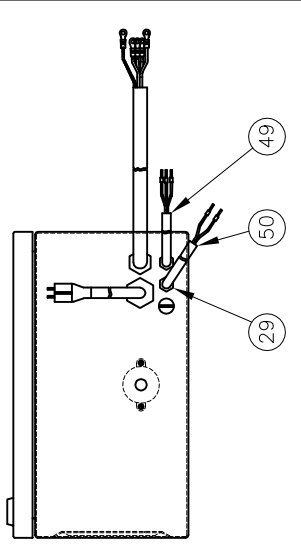
FS4.0160 Horse Shoe Ø1650mm Roll Container

Part no.	RIF	Description	Specification English	Quantity
FS4.1017	1	Roll	ROLL	9
FS4.1412	2	Group	PAINTED BASE UNIT D. 1650 FRONT BLUE RAL 5010	1
FS4.1437	3	Group	SHAT-PINION 1/2"X5/16" Z=23 GROUP	1
FS4.1440	4	Pinion	PINION 1/2"X5/16" Z=20	3
FS4.1441	5	Bracket	BRACKET	1
FS4.1444	6	Bracket	BRACKET	2
FS4.1449	7	Spring	POLIURETANIC SPRING D.E.=25 D.I.=10.5 L=20	2
FS4.1450	8	Wheel	RUBBERED WHEEL D=110 FE37	2
FS4.1451	9	Pinion	PINION 1/2"X5/16" Z=24	2
FS4.1472	10	Disk	PAINTED DISK D.1650 ROLL CON. YELLOW RAL 1021	1
FS4.1461	11	Plate	PLATE	1
FS4.1462	12	Wire steel	INOX AISI 302 WIRE STEEL STOP ROLL	9
FS4.1463	13	Bracket	BRACKET	1
FS4.1464	14	Support	REFLECTOR SUPPORT	1
FS4.1467	15	Support	PHOTOCELL SUPPORT	1
FS4.1469	16	Bracket	PHOTOCELL BRACKET	1
FS4.1470	17	Access	TRANSPALLET ACCESS	1
FS4.1471	18	Cover	PAINTED CLO. BASE D.1650 FRONT BLUE RAL 5010	1
N1.1511	19	Bolt	HEXAGONAL HEAD BOLT M10x30 ZINCED DIN 933	4
N1.1523	20	Screw	HEXAGONAL HEAD SCREW M6x25 ZINCED DIN 933	4
N1.1546	21	Bolt	HEXAGONAL HEAD BOLT M10x25 ZINCED DIN 933	6
N1.1548	22	Bolt	HEXAGONAL HEAD BOLT M10x20 ZINCED DIN 933	2
N1.1568	23	Bolt	HEXAGONAL HEAD BOLT M10x50 ZINCED DIN 933	1
N1.1572	24	Bolt	HEXAGONAL HEAD BOLT M10x40 ZINCED DIN 931	2
N1.1614	25	Screw	CYLINDRICAL HEAD SCREW M3x16 ZINCED DIN 85A	2
N1.1911	26	Screw	PHILIPS HEAD SCREW M4x8 ZINCED	2
N1.2168	27	Bolt	SOCKET CTRS. HD BOLT M8x16 ZINCED DIN 7991	6
N1.2190	28	Bolt	SOCKET CTRS. HD BOLT M8x60 ZINCED DIN 7991	4
N1.5108	29	Nut	NUT CL.8 PG M10 DIN 934	3
N1.6114	30	Washer	PLAIN WASHER M6 6,4x12x1,6 ZINCED DIN 125A	8
N1.6161	31	Washer	PLAIN WASHER M10 10,5x20x2 ZINCED DIN 125A	6
N1.6195	32	Washer	PLAIN WASHER M8 8,5x32x2,5 ZINCED DIN 125A	1
N1.6215	33	Washer	WASHER GROWER M8 ZINCED DIN 127 -B-	1
N11.1121	34	Screw	CYLINDRICAL HEAD SCREW M6x10 ZINCED DIN 912	8
N11.1141	35	Bolt	CYLINDRICAL HEAD BOLT M8x20 ZINCED DIN 912	1
N11.1162	36	Screw	CYLINDRICAL HEAD SCREW M4x10 ZINCED DIN 912	2
N2.1105	37	Seeger	ELASTIC RING TYPE A DIN 471 D.25	4
N2.1108	38	Seeger	ELASTIC RING TYPE A DIN 471 D.20	3
N2.3308	39	Key	KEY 8x7x40 DIN 6885	2
N3.1177	40	Ball bearing	BALL BEARING 20x42x12 6004 2RSL	6
N3.4624	41	Support	SWINGING BRACKET UCF 205	1
N31.1141	42	Ball bearing	BALL BEARING 25x47x16 63005 2RS1	4
N4.7357	43	Chain	CHAIN 1/2"x5/16" 285 LINK ISO 08B-1	1
N4.7413	44	Link	SPRING CLIP (LINK) 1/2"X5/16" ISO 08B-1	1
N4.7417	45	End-link	LINK WITH SPLIT PIN C126 N.13 ISO 08B-1	1

FS4.0160 Horse Shoe Ø1650mm Roll Container

Part no.	RIF Description	Specification English	Quantity
N5.1198	46 Gearbox	GEARBOX SW063 I=10 ENG. 80B 4POLES 0.55kW B14	1
N5.2643	47 Photocell	PHOTOCELL REFLECTING 90°	1
N5.2644	48 Reflector	REFLECTING RL 112-G 19X73 MD	1
N5.2667	49 Photocell	PHOTOCELL REFLECTING E3F2-R2BA-P1-E	1
N5.2668	50 Reflector	REFLECTING E39-R1	1
N5.3134	51 Cable	CABLE FOR PHOTOCELL OR PROXIMITY L.5M D12	1
N5.3172	52 Cable	CABLE FOR PHOTOCELL OR PROXIMITY L.2M D12 90°	1
FS4.1059	53 Carter	MOTOR CARTER BLUE RAL 5010	1
FS4.1080	54 Group	BRACKET-RIVET GROUP	4
FS4.1248	55 Tube	PVC TUBE	1
N1.1222	56 Screw	BUTTON HEAD SCREW ISO 7380 - M6 x 20	4
N1.1573	57 Screw	HEXAGONAL HEAD BOLT M6x12 ZINCED DIN 933	4
N1.6163	58 Washer	PLAIN WASHER M6 6,4x12x1,6 ZINCED DIN 125A	8

DIFFERENCE FROMM ELEC. CABINET STANDARD



FS4.0129/FS4.0130/
FS40.131/FS4.0145.V01.01

FS4.0129/FS4.0130/FS4.0131/FS4.0145 Electrical Cabinet (FS400/FS401/FS402/FS403/Horse shoe)

Part no.	RIF	Description	Specification English	Quantity
ELS.1030	1	Electrical drawing	ELECTRICAL DRAWING FS400/FS401	1
FS4.1208	2	Cable	POWER CABLE	1
FS4.1231	3	Cable	FLAT CABLE	1
FS4.1238	4	Clamp	CLAMP	1
FS4.1239	5	Cabinet	COMPLETE ELECTRICAL CABINET	1
FS4.1244	6	Inverter	CARRIAGE INVERTER (N5.5476 without parameters)	1
FS4.1245	7	Inverter	TABLE INVERTER (N5.5483 without parameters)	1
FS4.1246	8	Inverter	FILM INVERTER (N5.5476 without parameters)	1
FS4.1249	9	Cable	PROXIMITY TABLE CABLE	1
FS4.1250	10	Cable	BOX FILM CABLE	1
FS4.1251	11	Cable	MOTOR M2 CABLE	1
FS4.1252	12	Cable	MOTOR M1 CABLE	1
N1.1714	13	Screw	CYLINDRICAL HEAD SCREW 2.9x16 ZINCED DIN 7981	4
N1.1915	14	Screw	PHILIPS HEAD SCREW M4x8 ZINCED DIN 7985A	4
N1.1921	15	Screw	PHILIPS HEAD SCREW M4x10 ZINCED DIN 7985A	12
N1.1937	16	Screw	PHILIPS HEAD SCREW M4x30 ZINCED DIN 7985A	2
N1.5120	17	Nut	NUT CL.8 PG M3 DIN 934	6
N1.5124	18	Nut	NUT CL.8 PG M4 DIN 934	2
N1.6115	19	Washer	PLAIN WASHER M4 ZINCED DIN 125A	14
N1.6154	20	Washer	PLAIN WASHER M3 3,2x9x0,8 ZINCED DIN 9021	6
N1.6412	21	Washer	WASHER M4 BLACK DIN 6798-A	8
N4.9192	22	Label	LABEL FOR TENSION 51mm	1
N41.9156	23	Label	LABEL 174x24	1
N5.1439	24	Transformer	TRANSFORMER	1
N5.2269	25	Plastic	RED PLATIC 60x60	1
N5.2271	26	Block	BREAK SWITCH 3P 25A V0	1
N5.2280	27	Shaft	EXTEND SHAFT VZ17	1
N5.2281	28	Block	BLOCK DOOR KZ 32	1
N5.3329	29	Cable gland	CABLE GLAND PG.7	1
N5.3332	30	Cable gland	CABLE GLAND PG.13.5	5
N5.3333	31	Cable gland	CABLE GLAND PG.16	1
N5.3334	32	Cap	CAP PG.7	4
N5.3337	33	Cap	CAP PG.13.5	1
N5.3627	34	Nut	PLASTIC HEX NUT PG.7	5
N5.3630	35	Nut	PLASTIC HEX NUT PG.13.5	6
N5.3631	36	Nut	PLASTIC HEX NUT PG.16	1
N5.3810	37	Spacer	SPACER M4 L=8	4
N5.5273	38	Switch	AUXILLARY SWITCH	1
N5.5462	39	Buzzer	BUZZER	1
N5.6115	40	Terminal	EARTH TERMINAL WPE 4 mm	1
N51.2120	41	Thorn	THORN 10/16A	1
N51.2217	42	Label	ROUND YELLOW LABEL D.60	1
N51.2218	43	Emergency	MUSHROOM PUSH BUTTON	1
N51.2219	44	Cover	PROTECTION COVER	1
N51.5219	45	Breaker	BREAKER	3

FS4.0129/FS4.0130/FS4.0131/FS4.0145 Electrical Cabinet (FS400/FS401/FS402/FS403/Horse shoe)

Part no.	RIF	Description	Specification English	Quantity
N51.5220	46	Power joint	POWER JOINT 12A 24V 50/60Hz	1
N51.7111	47	Panel	KEYBOARD+ALPHANUMERIC DISPLAY FS400	1
N51.7113	48	Pc Board	MAINBOARD FS400/401	1

DIFFERENCE FROMM Electrical Cabinet Standard (ONLY FOR FS4.0130)

ELS.1031	1	Electrical drawing	ELECTRICAL DRAWING FS402/FS403	1
FS4.1204	50	Cable	ZERO POSITION MICRO CABLE	1
N5.3329	51	Cable gland	CABLE GLAND PG.7	1+3
N5.3332	30	Cable gland	CABLE GLAND PG.13.5	5+1
N5.3334	32	Cap	CAP PG.7	1
N51.5236		Relè	RELE' 3X16A 62.33-24AC FINDER	1
N51.5237		Clamp	CLAMP BASE 92.03 FINDER	1
N51.7114	48	Pc Board	MAINBOARD FS402/403	1

DIFFERENCE FROMM Electrical Cabinet Standard (ONLY FOR FS4.0131 Horse Shoe)

FS4.1203	49	Cable	SECURITY PHOTOCELL CABLE	1
FS4.1204	50	Cable	ZERO POSITION MICRO CABLE	1
N5.3329	51	Cable gland	CABLE GLAND PG.7	1

DIFFERENCE FROMM Electrical Cabinet Standard (ONLY FOR FS4.0145)

ELS.1031	1	Electrical drawing	ELECTRICAL DRAWING FS402/FS403	1
FS4.1203	49	Cable	SECURITY PHOTOCELL CABLE	1
FS4.1204	50	Cable	ZERO POSITION MICRO CABLE	1
N5.3329	51	Cable gland	CABLE GLAND PG.7	1+4
N5.3332	30	Cable gland	CABLE GLAND PG.13.5	5+1
N5.3334	32	Cap	CAP PG.7	2
N51.5236		Relè	RELE' 3X16A 62.33-24AC FINDER	1
N51.5237		Clamp	CLAMP BASE 92.03 FINDER	1

OPTION

FS4.1257		Power	POWER 65V	1
N1.1915	14	Screw	PHILIPS HEAD SCREW M4x8 ZINCED DIN 7985A	2
N1.1921	15	Screw	PHILIPS HEAD SCREW M4x10 ZINCED DIN 7985A	2

