

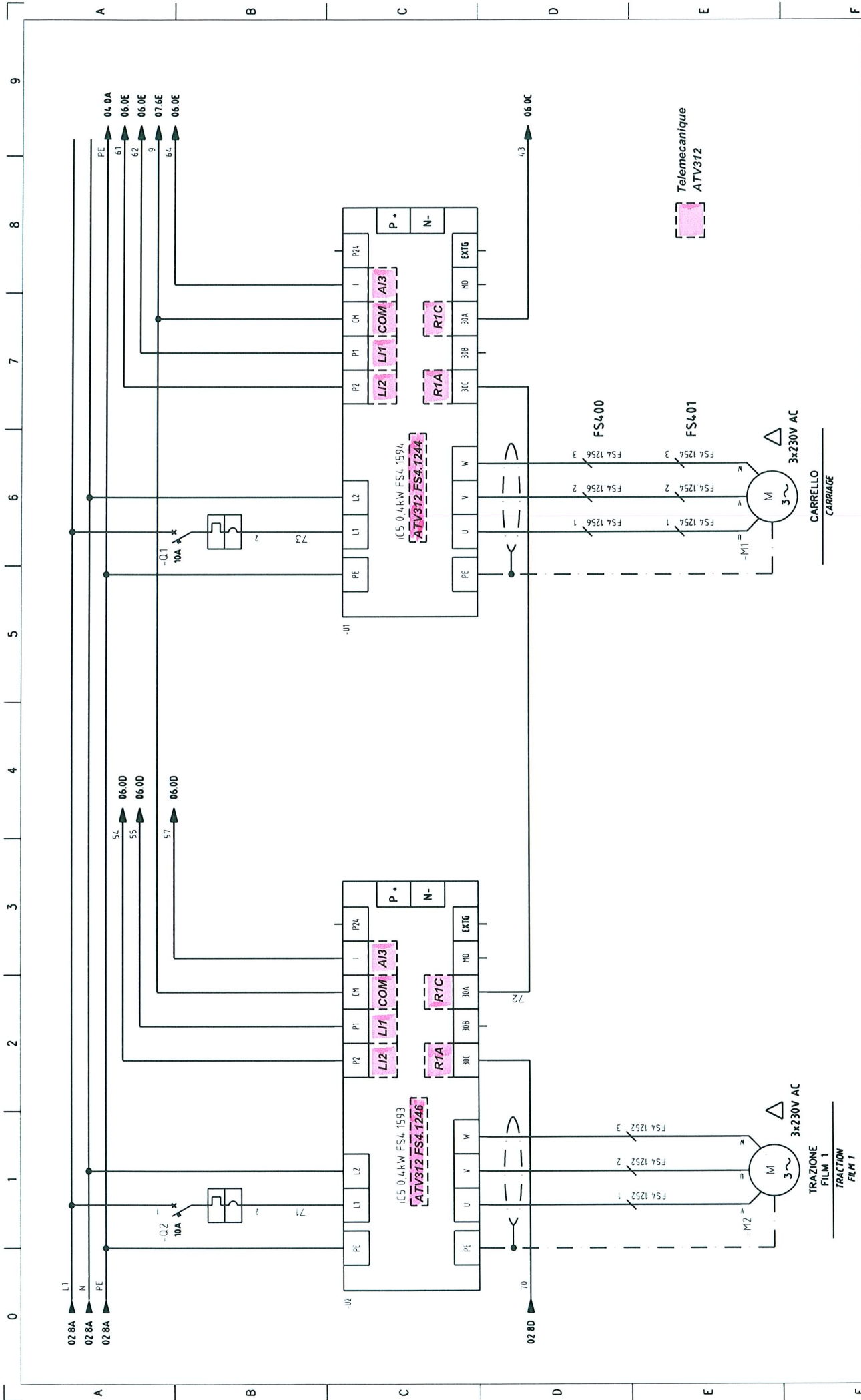
# **FROMM**

**ELS FS400/FS401/402/403 FROMM  
TURNTABLE STRETCH MACHINE**

**Conversion from LG to Telemecanique**

Print date Friday, 13 May 2011/ servisia/ © 05/11

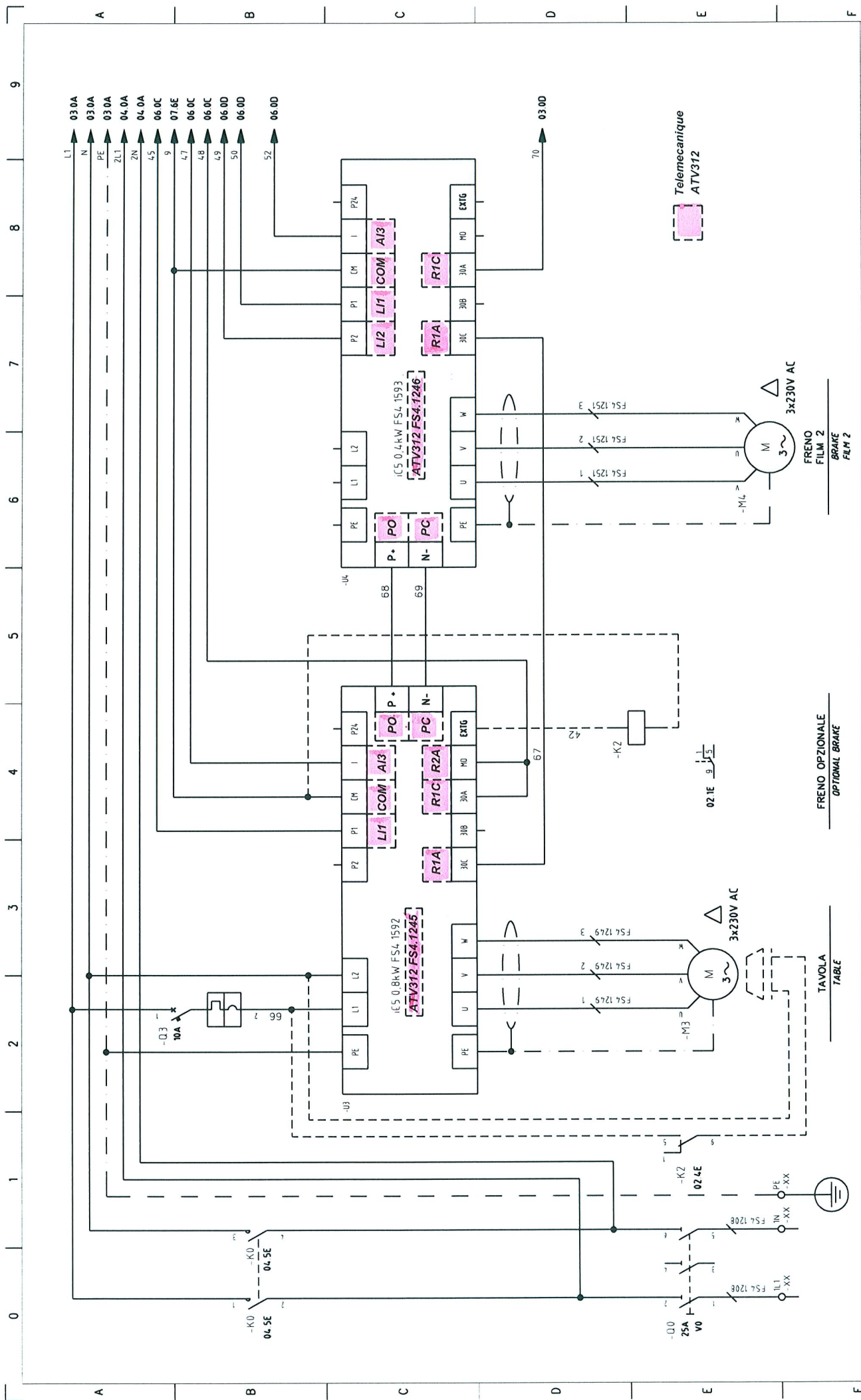




REV.	MODIFICA	DATA	FIRMA	APPR.	SOST. IL :	3	SOST. DA :	4	FILE	ELS.1054.dwg	5

FROMM	
FS400/FS401	ELS.1054

+	
FG. 03	F.S.04
	F.T. 11



REV.	MODIFICA	DATA	FIRMA	APPR.	VISTO	DISEGN	INGEN	F.

DATA	13/05/10
SOST. IL :	
SOST. DA :	
FILE	ELS.1055.dwg

ELS.1055	
FG.02	F.S.03
	F.T.11

**FROMM**

FS402/FS403

ELS.1055

9

FRENO OPZIONALE  
OPTIONAL BRAKE

TAVOLA  
TABLE

FRENO  
FILM 2  
BRAKE  
FILM 2

Telemecanique  
ATV312

3x230V AC

3x230V AC

FS4 1245

FS4 1246

FS4 1249

FS4 1251

FS4 1249

FS4 1251

FS4 1249

FS4 1251

FS4 1249

FS4 1251

FS4 1249

FS4 1251

FS4 1249

FS4 1251

FS4 1249

FS4 1251

FS4 1249

FS4 1251

FS4 1249

FS4 1251

FS4 1249

FS4 1251

FS4 1249

FS4 1251

9

8

7

6

5

4

3

2

1

0

A

B

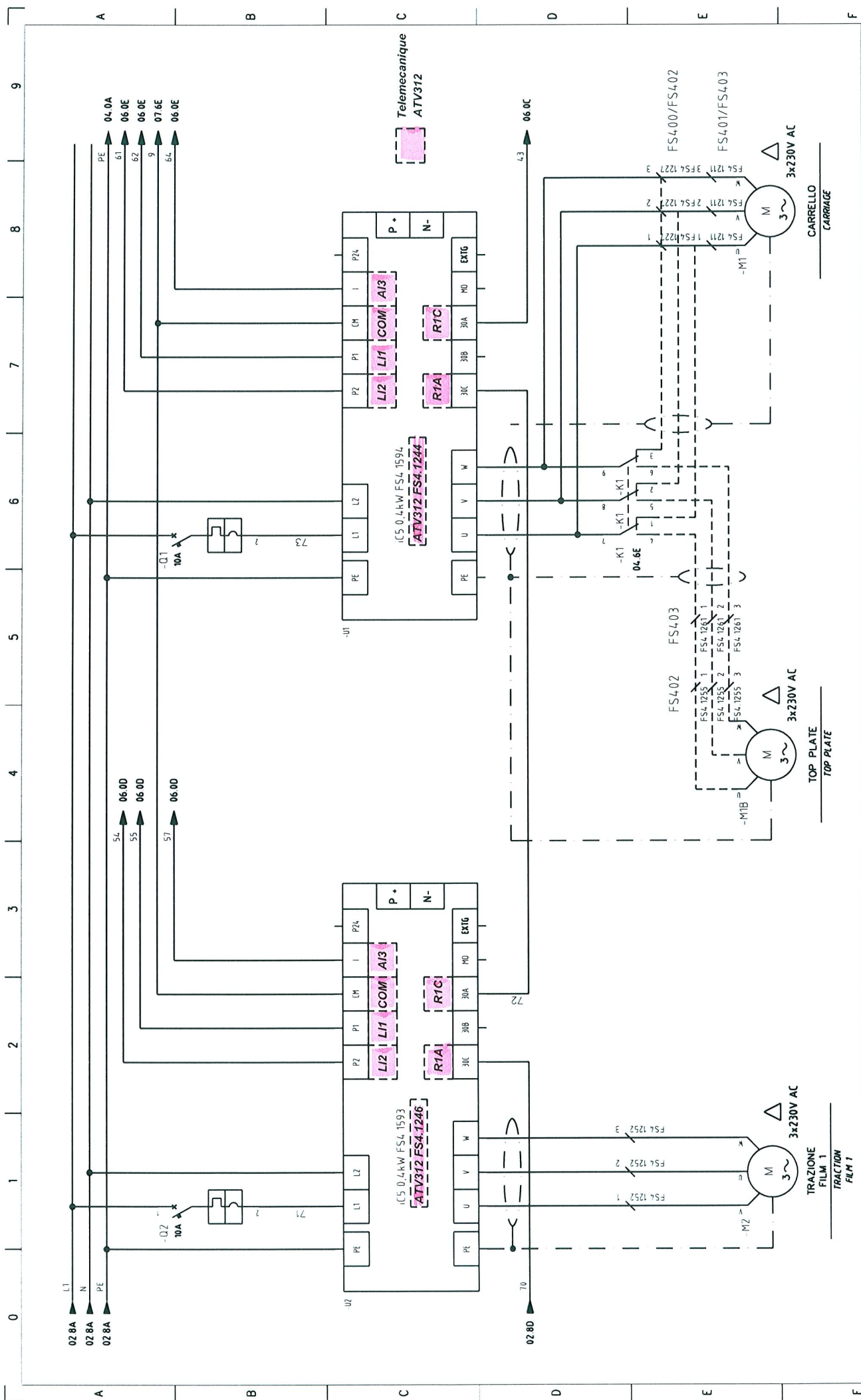
C

D

E

F





REV.	MODIFICA	DATA	FIRMA	APPR.	SOST. IL :	3	FILE ELS.1055.dwg
					SOST. DA :	4	

<h1 style="text-align: center;">FROMM</h1>		FS402/FS403		ELS.1055	
				FC. 03	F.S04

DATA	13/05/10
DISEGN	VICENTINI F.
VISTO	
APPR.	