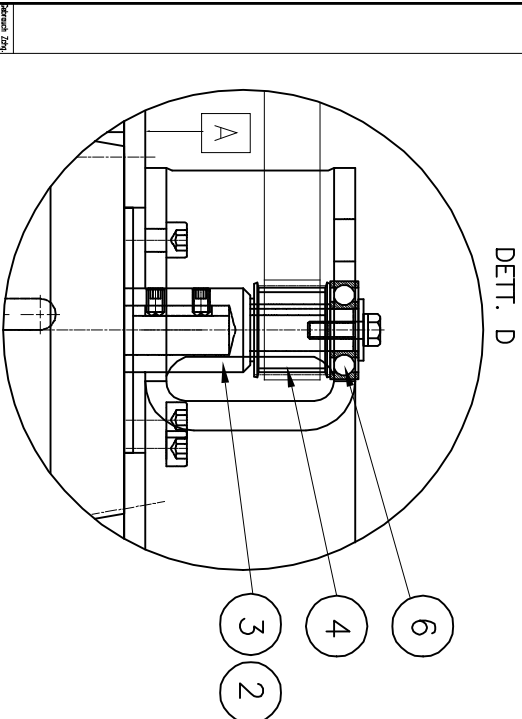
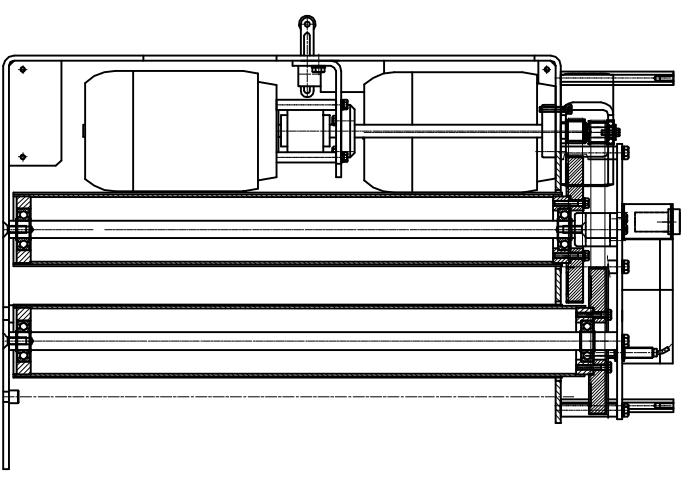


Repair Kit pre-stretch motor one

Pos.	Q.ty	Code	Description
1	1	N5.1169	Motor
3	1	FS4.1148	Shaft
4	1	FS3.1080	Wheel
6	1	N3.1106	Ball bearings 12x28x8
2	1	N2.3310	Key 4x4x20
5	1	N4.3209	Belt L=990mm



Maintenance Kit pre-stretch motor two

Pos.	Q.ty	Code	Description
10	1	FS3.1080	Wheel
7	1	FS3.1083	Shaft for motor
8	2	N3.1182	Ball bearings 15x35x11
11	1	N4.3207	Belt L=660mm
9	2	N2.1103	Seeger

