

FROMM

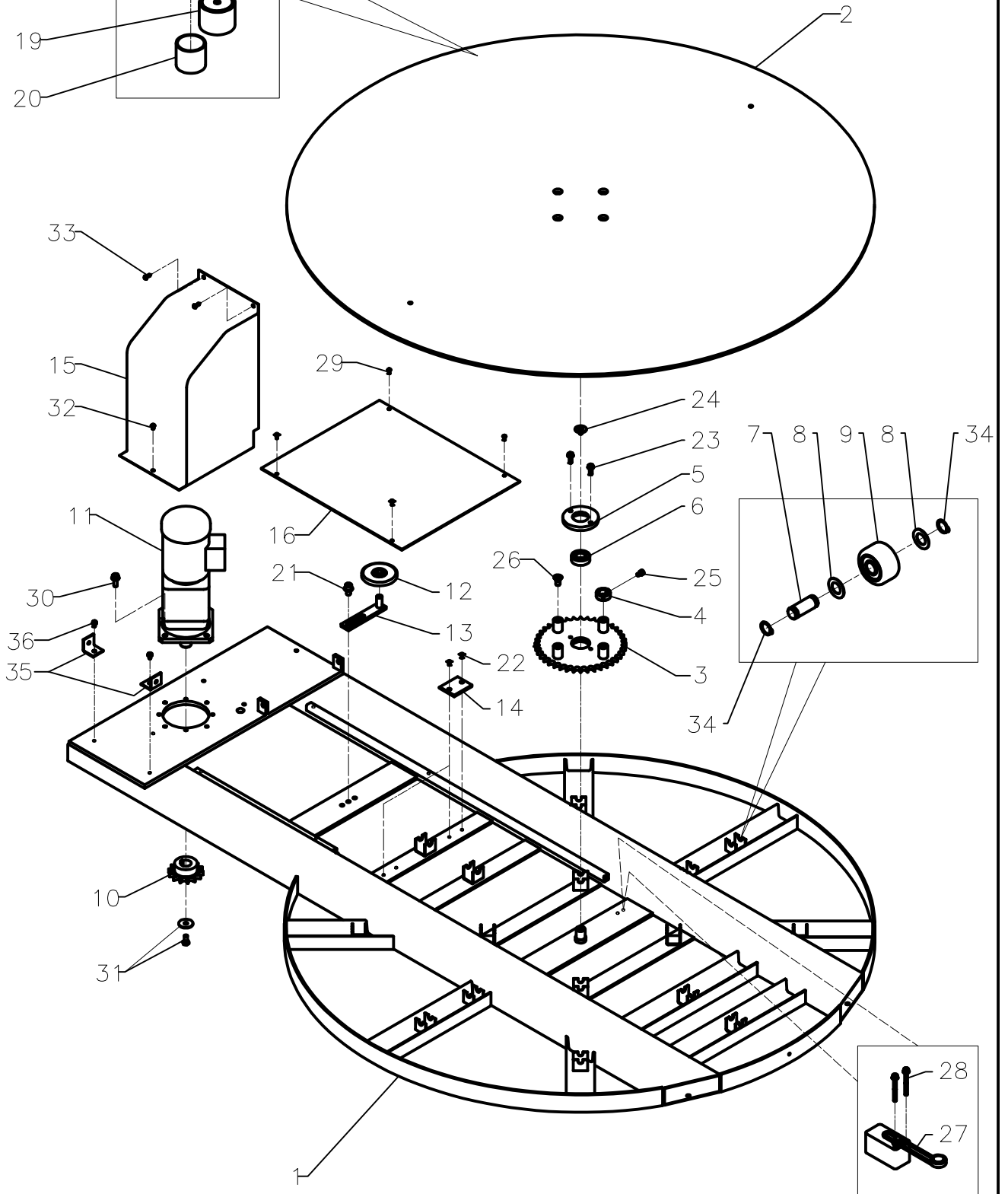
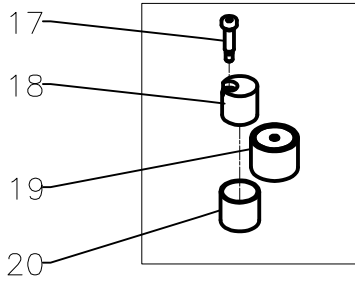
Numbers & Drawings

Stretch Wrapping machine's

**Series FS2xx Version 07 List
Series FS4xx Version 01 List**

Website : www.fromm-stretch.com

SPARE-PARTS_FS2xx/FS4xx.EN02/a.servisi/ © 08/12



FROMM

Base unit FS210 Ø1650 mm

Part no.	RIF	Description	Specification	Quantity
FS2.1003	1	Base unit	PAINTED BASE UNIT DIAMETER 1650	1
FS2.1002	2	Disk	PAINTED TURNTABLE DISK DIAMETER 1650	1
FS2.1007	3	Chain wheel	TOOTH WHEEL 3/4x7/16 Z40	1
FS2.1008	5	Ball bearing	BALLBEARING FLANGE	1
N31.1106	6	Ball bearing	BALLBEARING 6205 2RS 25x52x15	1
FS2.1005	7	Shaft	PIVOT FOR WHEEL BASE	16
N3.4311	8	Distance	THRUSH BLOCK AS 1730	32
FS2.1006	9	Roller	BASE WHEEL	16
N31.1105	9	Ball bearing	BALLBEARING 6203 2RS 17x40x12	32
FS2.1010	10	Chain wheel	MOTOR SHAFT P.3/4x7/16 Z16	1
N2.3349	10	Key	KEY UNI 6604 8x7x30	3
N5.1172	11	Motor	MOTOR GERABOX R1/52,4 230/400-50 IP55 ROTAZIONE	1
N5.3321	11	Cable gland	CABLE GLAND SKINTOP PG16 D.C.V. 9/14	1
N4.7242	12	Chain wheel	CHAIN REGULATOR Z15 3/4x7/16	1
FS2.1009	13	Bracket	PAINTED CHAIN REGULATOR SUPPORT	1
FS2.1001	14	Chain gland	CHAIN CONTRAST PLATE	2
FS2.1011	15	Cover	PAINTED MOTOR CASING	1
FS2.1004	16	Cover	PAINTED CLOSING BASE 1650	1
FS1.1383	17	Bracket film	BRACKET FOR THE FILM	1
N1.1591	18	Screw	HEXAGON SCREW M10x12	1
N2.2455	19	Roll Pin	ROLL PIN FRP 8x10 STEEL	1
N11.1194	21	Screw	HEXAGON SOCKET HEAD CAP SCREWS M12x20	2
N1.6121	21	Washer	WASHER 13x24x2,56121	2
N1.2135	22	Screw	SOCKET CTRS. HD SCREW M5x12	4
N1.1557	23	Screw	HEXAGON SCREW M8x25	2
N1.6164	23	Washer	WASHER 8,4x17x1,6	2
N1.1507	24	Screw	HEXAGON SCREW M8x16	1
N1.6171	24	Washer	WASHER 8,4x35x1,5	1
N11.1124	25	Screw	HEXAGON SOCKET HEAD CAP SCREWS M8x12	1
N1.2170	26	Screw	SOCKET CTRS. HD SCREW M12x25	4
N11.1174	28	Screw	HEXAGON SOCKET HEAD CAP SCREWS M4x30	2
N1.6115	28	Washer	WASHER 4,3x9	2
N1.1218	29	Screw	HEXAGON SOCKET BOTTON HEAD M5x12 ISO 7380	4
N1.1511	30	Screw	HEXAGON SCREW M10x30	4
N1.6161	30	Washer	WASHER 10,5x20x2 UNI 6592	4
N1.1548	31	Screw	HEXAGON SCREW M10x20	1
N1.6177	31	Washer	MUDWING REPAIR WASHER M10x40 (10,5 x 40 x 1,5)	1
N1.1219	32	Screw	HEXAGON SOCKET BOTTON HEAD M6x12 ISO 7380	1
N1.1220	33	Screw	HEXAGON SOCKET BOTTON HEAD M6x16 ISO 7380	2
N2.1112	34	Retaining ring	CIRCLIP E17	32
N4.7347		Chain	CHAIN 3/4x7/16 P.185 + 1 ROLLER CHAIN LINK (16)	1
N4.7404		Chain	CHAIN LINK 3/4 7/16	1

Base unit FS230 Ø1650 mm

Part no.	RIF	Description	Specification	Quantity
FS2.1003	1	Base unit	PAINTED BASE UNIT DIAMETER 1650	1
FS2.1002	2	Disk	PAINTED TURNTABLE DISK DIAMETER 1650	1
FS2.1007	3	Chain wheel	TOOTH WHEEL 3/4X7/16 Z40	1
N7.2207	4	Metal ring	SET COLLAR DIN 705 SHAPE C D.25	1
FS2.1008	5	Ball bearing	BALLBEARING FLANGE	1
N31.1106	6	Ball bearing	BALLBEARING 6205 2RS 25X52X15	1
FS2.1005	7	Shaft	PIVOT FOR WHEEL BASE	16
N3.4311	8	Distance	THRUSH BLOCK AS 1730	32
FS2.1006	9	Roller	BASE WHEEL	16
N31.1105	9	Ball bearing	BALLBEARING 6203 2RS 17X40X12	32
	10			
	11	Group	MOTOR GROUP (SEE ON NEXT PAGES)	1
	30			
	31			
N4.7242	12	Chain wheel	CHAIN REGULATOR Z15 3/4X7/16	1
FS2.1009	13	Bracket	PAINTED CHAIN REGULATOR SUPPORT	1
FS2.1001	14	Chain gland	CHAIN CONTRAST PLATE	2
FS2.1011	15	Cover	PAINTED MOTOR CASING	1
FS2.1004	16	Cover	PAINTED CLOSING BASE 1650	1
FS1.1383	17	Bracket film	BRACKET FOR THE FILM	1
N1.1591	18	Screw	HEXAGON SCREW M10x12	1
N2.2455	19	Roll Pin	ROLL PIN FRP 8x10 STEEL	1
N11.1194	21	Screw	HEXAGON SOCKET HEAD CAP SCREWS M12x20	2
N1.6121	21	Washer	WASHER 13x24x2,56121	2
N1.2135	22	Screw	SOCKET CTRS. HD SCREW M5x12	4
N1.1557	23	Screw	HEXAGON SCREW M8x25	4
N1.6164	23	Washer	WASHER 8,4x17x1,6	2
N1.1507	24	Screw	HEXAGON SCREW M8x16	2
N1.6176	24	Washer	WASHER 8,4x35x1,5	1
N11.1124	25	Screw	HEXAGON SOCKET HEAD CAP SCREWS M8x12	1
N1.2170	26	Screw	SOCKET CTRS. HD SCREW M12x25	4
N5.2343	27	Limit switch	LIMIT SWITCH ERSCH E100-00 FI	1
N5.3184	27	Cable	CABLE FLEXPUI NPI 2X0,75 COLOUR BROWN-WHITE	MT.2
N5.3327	27	Cable gland	CABLE GLAND SKINTOP PG13.5 D.C.V. 5/12	1
N11.1174	28	Screw	HEXAGON SOCKET HEAD CAP SCREWS M4x30	2
N1.6115	28	Washer	WASHER 4,3x9	2
N1.1218	29	Screw	HEXAGON SOCKET BOTTON HEAD M5x12 ISO 7380	4
N1.1219	32	Screw	HEXAGON SOCKET BOTTON HEAD M6x12 ISO 7380	1
N1.1220	33	Screw	HEXAGON SOCKET BOTTON HEAD M6x16 ISO 7380	2
N2.1112	34	Retaining ring	ELASTIC RING DIN 471 D.17	32
FS2.1067	35	Bracket	PAINTED ANGULAR MOTOR CASING	2
N1.1219	36	Screw	HEXAGON SCREW M6x12	2
N1.6114	36	Washer	WASHER 6,4x12,5x1,6	2
N4.7347		Chain	CHAIN 3/4x7/16 P.185 + 1 ROLLER CHAIN LINK (16)	1
N4.7404		Chain	CHAIN LINK 3/4 7/16	1

Base unit FS230 Ø1800 mm

Part no.	RIF	Description	Specification	Quantity
FS2.1052	1	Base unit	PAINTED BASE UNIT DIAMETER 1800	1
FS2.1051	2	Disk	PAINTED TURNTABLE DISK DIAMETER 1800	1
FS2.1007	3	Chain wheel	TOOTH WHEEL 3/4X7/16 Z40	1
N7.2207	4	Metal ring	SET COLLAR DIN 705 SHAPE C D.25	1
FS2.1008	5	Ball bearing	BALLBEARING FLANGE	1
N31.1106	6	Ball bearing	BALLBEARING 6205 2RS 25X52X15	1
FS2.1005	7	Shaft	PIVOT FOR WHEEL BASE	16
N3.4311	8	Distance	THRUSH BLOCK AS 1730	32
FS2.1006	9	Roller	BASE WHEEL	16
N31.1105	9	Ball bearing	BALLBEARING 6203 2RS 17X40X12	32
	10			
	11			
	30	Group	MOTOR GROUP (SEE ON NEXT PAGES)	1
	31			
N4.7242	12	Chain wheel	CHAIN REGULATOR Z15 3/4X7/16	1
FS2.1009	13	Bracket	PAINTED CHAIN REGULATOR SUPPORT	1
FS2.1001	14	Chain gland	CHAIN CONTRAST PLATE	2
FS2.1011	15	Cover	PAINTED MOTOR CASING	1
FS2.1053	16	Cover	PAINTED CLOSING BASE 1800	1
FS1.1383	17	Bracket film	BRACKET FOR THE FILM	1
N1.1591	18	Screw	HEXAGON SCREW M10x12	1
N2.2455	19	Roll Pin	ROLL PIN FRP 8x10 STEEL	1
N11.1194	21	Screw	HEXAGON SOCKET HEAD CAP SCREWS M12x20	2
N1.6121	21	Washer	WASHER 13x24x2,56121	2
N1.2135	22	Screw	SOCKET CTRS. HD SCREW M5x12	4
N1.1557	23	Screw	HEXAGON SCREW M8x25	4
N1.6164	23	Washer	WASHER 8,4x17x1,6	2
N1.1507	24	Screw	HEXAGON SCREW M8x16	2
N1.6176	24	Washer	WASHER 8,4x35x1,5	1
N11.1124	25	Screw	HEXAGON SOCKET HEAD CAP SCREWS M8x12	1
N1.2170	26	Screw	SOCKET CTRS. HD SCREW M12x25	4
N5.2343	27	Limit switch	LIMIT SWITCH ERSCHKE E100-00 FI	1
N5.3184	27	Cable	CABLE FLEXPUI NPI 2X0,75 COLOUR BROWN-WHITE	MT.2
N5.3327	27	Cable gland	CABLE GLAND SKINTOP PG13,5 D.C.V. 5/12	1
N11.1174	28	Screw	HEXAGON SOCKET HEAD CAP SCREWS M4x30	2
N1.6115	28	Washer	WASHER 4,3x9	2
N1.1218	29	Screw	HEXAGON SOCKET BOTTON HEAD M5x12 ISO 7380	4
N1.1511	30	Screw	HEXAGON SCREW M10X30	4
N1.6161	30	Washer	WASHER 10,5x20x2 UNI 6592	4
N1.1219	32	Screw	HEXAGON SOCKET BOTTON HEAD M6x12 ISO 7380	1
N1.1220	33	Screw	HEXAGON SOCKET BOTTON HEAD M6x16 ISO 7380	2
N2.1112	34	Retaining ring	CIRCLIP E17	32
FS2.1067	35	Bracket	PAINTED ANGULAR MOTOR CASING	2
N1.1219	36	Screw	HEXAGON SCREW M6x12	2
N1.6114	36	Washer	WASHER 6,4x12,5x1,6	2
N4.7351		Chain	CHAIN 3/4x7/16 P.219 + 1 ROLLER CHAIN LINK (1800 2V)	1
N4.7404		Chain	CHAIN LINK 3/4 7/16	1

Base unit FS230 Ø 2200 mm

Part no.	RIF	Description	Specification	Quantity
FS2.1059	1	Base unit	PAINTED BASE UNIT DIAMETER 2200	1
FS2.1058	2	Disk	PAINTED TURNTABLE DISK DIAMETER 2200	1
FS2.1007	3	Chain wheel	TOOTH WHEEL 3/4x7/16 Z40	1
N7.2207	4	Metal ring	SET COLLAR DIN 705 SHAPE C D.25	1
FS2.1008	5	Ball bearing	BALLBEARING FLANGE	1
N31.1106	6	Ball bearing	BALLBEARING 6205 2RS 25x52x15	1
FS2.1005	7	Shaft	PIVOT FOR WHEEL BASE	20
N3.4311	8	Distance	THRUSH BLOCK AS 1730	40
FS2.1006	9	Roller	BASE WHEEL	20
N31.1105	9	Ball bearing	BALLBEARING 6203 2RS 17x40x12	40
	10			
	11			
	30	Group	MOTOR GROUP (SEE ON NEXT PAGES)	1
	31			
N4.7242	12	Chain wheel	CHAIN REGULATOR Z15 3/4x7/16	1
FS2.1009	13	Bracket	PAINTED CHAIN REGULATOR SUPPORT	1
FS2.1001	14	Chain gland	CHAIN CONTRAST PLATE	2
FS2.1011	15	Cover	PAINTED MOTOR CASING	1
FS2.1053	16	Cover	PAINTED CLOSING BASE 2200	1
FS1.1383	17	Bracket film	BRACKET FOR THE FILM	1
N1.1591	18	Screw	HEXAGON SCREW M10x12	1
N2.2455	19	Roll Pin	ROLL PIN FRP 8x10 STEEL	1
N11.1194	21	Screw	HEXAGON SOCKET HEAD CAP SCREWS M12x20	2
N1.6121	21	Washer	WASHER 13x24x2,56121	2
N1.2135	22	Screw	SOCKET CTRS. HD SCREW M5x12	4
N1.1557	23	Screw	HEXAGON SCREW M8x25	4
N1.6164	23	Washer	WASHER 8,4x17x1,6	2
N1.1507	24	Screw	HEXAGON SCREW M8x16	2
N1.6176	24	Washer	WASHER 8,4x35x1,5	1
N11.1124	25	Screw	HEXAGON SOCKET HEAD CAP SCREWS M8x12	1
N1.2170	26	Screw	SOCKET CTRS. HD SCREW M12x25	4
N5.2343	27	Limit switch	LIMIT SWITCH ERSCHKE E100-00 FI	1
N5.3184	27	Cable	CABLE FLEXPIU NPI 2x0,75 COLOUR BROWN-WHITE	MT.2
N5.3327	27	Cable gland	CABLE GLAND SKINTOP PG13 D.C.V. 5/12	1
N11.1174	28	Screw	HEXAGON SOCKET HEAD CAP SCREWS M4x30	2
N1.6115	28	Washer	WASHER 4,3x9	2
N1.1218	29	Screw	HEXAGON SOCKET BOTTON HEAD M5x12 ISO 7380	4
N1.1219	32	Screw	HEXAGON SOCKET BOTTON HEAD M6x12 ISO 7380	1
N1.1220	33	Screw	HEXAGON SOCKET BOTTON HEAD M6x16 ISO 7380	2
N2.1112	34	Retaining ring	CIRCLIP E17	32
N4.7352		Chain	PRE STRETCHED CHAIN 3/4x7/16 P. 240+MAGLIA (2200 2V)	1
N4.7404		Chain	CHAIN LINK 3/4 7/16	1

Base unit FS250 – FS270 Ø1650 mm

Part no.	RIF	Description	Specification	Quantity
FS2.1003	1	Base unit	PAINTED BASE UNIT DIAMETER 1650	1
FS2.1002	2	Disk	PAINTED TURNTABLE DISK DIAMETER 1650	1
FS2.1007	3	Chain wheel	TOOTH WHEEL 3/4x7/16 Z40	1
N7.2207	4	Metal ring	SET COLLAR DIN 705 SHAPE C D.25	1
FS2.1008	5	Ball bearing	BALLBEARING FLANGE	1
N31.1106	6	Ball bearing	BALLBEARING 6205 2RS 25x52x15	1
FS2.1005	7	Shaft	PIVOT FOR WHEEL BASE	16
N3.4311	8	Distance	THRUSH BLOCK AS 1730	32
FS2.1006	9	Roller	BASE WHEEL	16
N31.1105	9	Ball bearing	BALLBEARING 6203 2RS 17x40x12	32
	10			
	11			
	30	Group	MOTOR GROUP (SEE ON NEXT PAGES)	1
	31			
N4.7242	12	Chain wheel	CHAIN REGULATOR Z15 3/4x7/16	1
FS2.1009	13	Bracket	PAINTED CHAIN REGULATOR SUPPORT	1
FS2.1001	14	Chain gland	CHAIN CONTRAST PLATE	2
FS2.1056	15	Cover	PAINTED MOTOR CASING	1
FS2.1004	16	Cover	PAINTED CLOSING BASE 1650	1
FS1.1383	17	Bracket film	BRACKET FOR THE FILM	1
N1.1591	18	Screw	HEXAGON SCREW M10x12	1
N2.2455	19	Roll Pin	ROLL PIN FRP 8x10 STEEL	1
N11.1194	21	Screw	HEXAGON SOCKET HEAD CAP SCREWS M12x20	2
N1.6121	21	Washer	WASHER 13x24x2,56121	2
N1.2135	22	Screw	SOCKET CTRS. HD SCREW M5x12	4
N1.1557	23	Screw	HEXAGON SCREW M8x25	4
N1.6164	23	Washer	WASHER 8,4x17x1,6	2
N1.1507	24	Screw	HEXAGON SCREW M8x16	2
N1.6176	24	Washer	WASHER 8,4x35x1,5	1
N11.1124	25	Screw	HEXAGON SOCKET HEAD CAP SCREWS M8x12	1
N1.2170	26	Screw	SOCKET CTRS. HD SCREW M12x25	4
N5.2343	27	Limit switch	LIMIT SWITCH ERSCH E100-00 FI	1
N5.3184	27	Cable	CABLE FLEXPIU NPI 2x0,75 COLOUR BROWN-WHITE	MT.2
N5.3327	27	Cable gland	CABLE GLAND SKINTOP PG13.5 D.C.V. 5/12	1
N11.1174	28	Screw	HEXAGON SOCKET HEAD CAP SCREWS M4x30	2
N1.6115	28	Washer	WASHER 4,3x9	2
N1.1218	29	Screw	HEXAGON SOCKET BOTTON HEAD M5x12 ISO 7380	4
N1.1219	32	Screw	HEXAGON SOCKET BOTTON HEAD M6x12 ISO 7380	1
N1.1220	33	Screw	HEXAGON SOCKET BOTTON HEAD M6x16 ISO 7380	2
N2.1112	34	Retaining ring	ELASTIC RING DIN 471 D.17	32
FS2.1067	35	Bracket	PAINTED ANGULAR MOTOR CASING	2
N1.1219	36	Screw	HEXAGON SCREW M6x12	2
N1.6114	36	Washer	WASHER 6,4x12,5x1,6	2
N4.7347		Chain	CHAIN 3/4x7/16 P.185 + 1 ROLLER CHAIN LINK (16)	1
N4.7404		Chain	CHAIN LINK 3/4 7/16	1

Base unit FS250 – FS270 Ø1800 mm

Part no.	RIF	Description	Specification	Quantity
FS2.1052	1	Base unit	PAINTED BASE UNIT DIAMETER 1800	1
FS2.1051	2	Disk	PAINTED TURNTABLE DISK DIAMETER 1800	1
FS2.1007	3	Chain wheel	TOOTH WHEEL 3/4x7/16 Z40	1
N7.2207	4	Metal ring	SET COLLAR DIN 705 SHAPE C D.25	1
FS2.1008	5	Ball bearing	BALLBEARING FLANGE	1
N31.1106	6	Ball bearing	BALLBEARING 6205 2RS 25x52x15	1
FS2.1005	7	Shaft	PIVOT FOR WHEEL BASE	16
N3.4311	8	Distance	THRUSH BLOCK AS 1730	32
FS2.1006	9	Roller	BASE WHEEL	16
N31.1105	9	Ball bearing	BALLBEARING 6203 2RS 17x40x12	32
	10			
	11			
	30	Group	MOTOR GROUP (SEE ON NEXT PAGES)	1
	31			
N4.7242	12	Chain wheel	CHAIN REGULATOR Z15 3/4x7/16	1
FS2.1009	13	Bracket	PAINTED CHAIN REGULATOR SUPPORT	1
FS2.1001	14	Chain gland	CHAIN CONTRAST PLATE	2
FS2.1056	15	Cover	PAINTED MOTOR CASING	1
FS2.1053	16	Cover	PAINTED CLOSING BASE 1800	1
FS1.1383	17	Bracket film	BRACKET FOR THE FILM	1
N1.1591	18	Screw	HEXAGON SCREW M10x12	1
N2.2455	19	Roll Pin	ROLL PIN FRP 8x10 STEEL	1
N11.1194	21	Screw	HEXAGON SOCKET HEAD CAP SCREWS M12x20	2
N1.6121	21	Washer	WASHER 13x24x2,56121	2
N1.2135	22	Screw	SOCKET CTRS. HD SCREW M5x12	4
N1.1557	23	Screw	HEXAGON SCREW M8x25	4
N1.6164	23	Washer	WASHER 8,4x17x1,6	2
N1.1507	24	Screw	HEXAGON SCREW M8x16	2
N1.6176	24	Washer	WASHER 8,4x35x1,5	1
N11.1124	25	Screw	HEXAGON SOCKET HEAD CAP SCREWS M8x12	1
N1.2170	26	Screw	SOCKET CTRS. HD SCREW M12x25	4
N5.2343	27	Limit switch	LIMIT SWITCH ERSCHKE E100-00 FI	1
N5.3327	27	Cable gland	CABLE GLAND SKINTOP PG13,5 D.C.V. 5/12	1
N5.3184	27	Cable	CABLE FLEXPUI NPI 2x0,75 COLOUR BROWN-WHITE	MT.2
N11.1174	28	Screw	HEXAGON SOCKET HEAD CAP SCREWS M4x30	2
N1.6115	28	Washer	WASHER 4,3x9	2
N1.1218	29	Screw	HEXAGON SOCKET BOTTON HEAD M5x12 ISO 7380	4
N1.1219	32	Screw	HEXAGON SOCKET BOTTON HEAD M6x12 ISO 7380	1
N1.1220	33	Screw	HEXAGON SOCKET BOTTON HEAD M6x16 ISO 7380	2
N2.1112	34	Retaining ring	CIRCLIP E17	32
FS2.1067	35	Bracket	PAINTED ANGULAR MOTOR CASING	2
N1.1219	36	Screw	HEXAGON SCREW M6x12	2
N1.6114	36	Washer	WASHER 6,4x12,5x1,6	2
N4.7351		Chain	CHAIN 3/4x7/16 P.219 + 1 ROLLER CHAIN LINK (1800 2V)	1
N4.7404		Chain	CHAIN LINK 3/4 7/16	1

Base unit FS250 – FS270 Ø 2200 mm

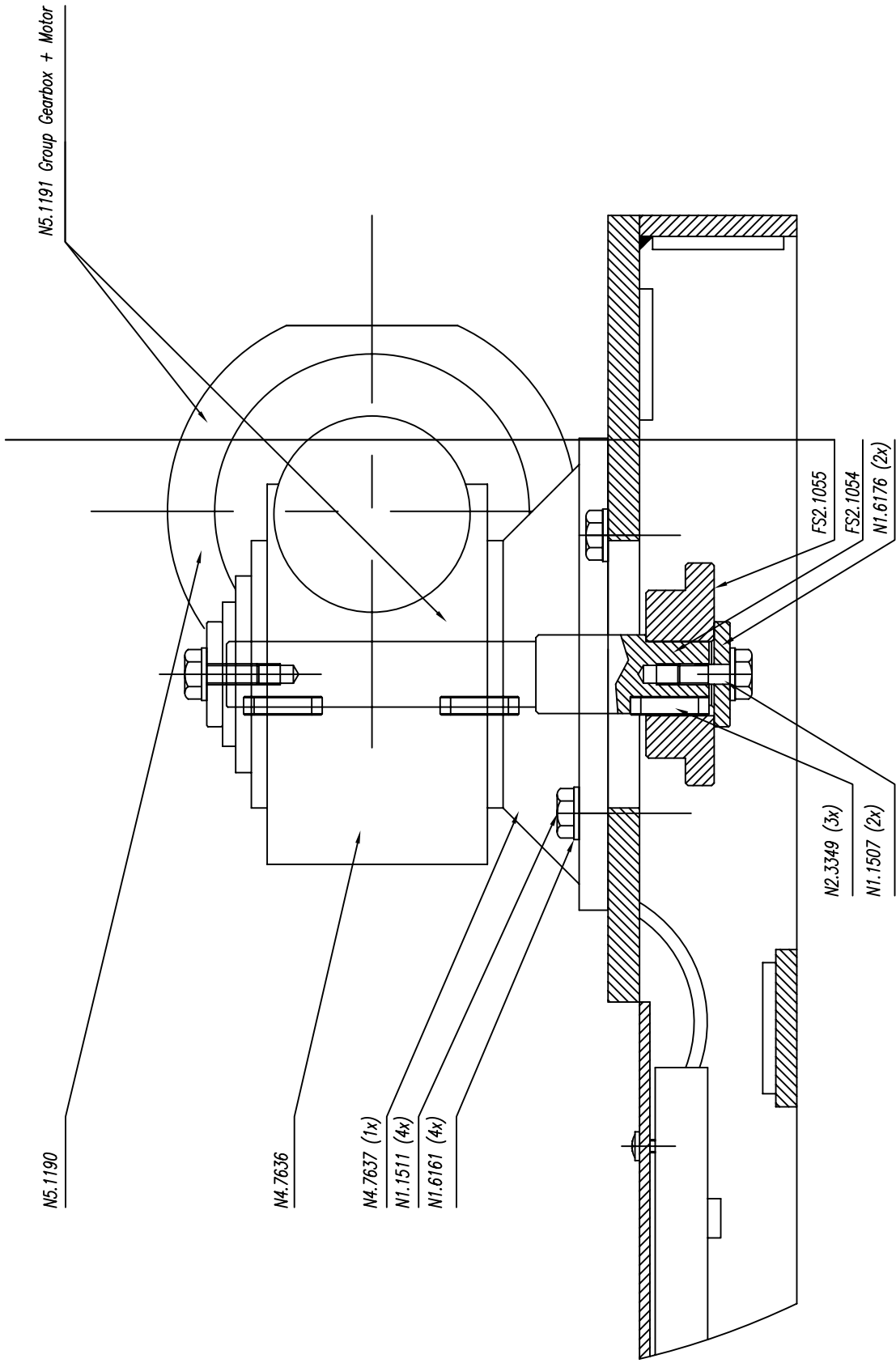
Part no.	RIF	Description	Specification	Quantity
FS2.1059	1	Base unit	PAINTED BASE UNIT DIAMETER 2200	1
FS2.1058	2	Disk	PAINTED TURNTABLE DISK DIAMETER 2200	1
FS2.1007	3	Chain wheel	TOOTH WHEEL 3/4x7/16 Z40	1
N7.2207	4	Metal ring	SET COLLAR DIN 705 SHAPE C D.25	1
FS2.1008	5	Ball bearing	BALLBEARING FLANGE	1
N31.1106	6	Ball bearing	BALLBEARING 6205 2RS 25x52x15	1
FS2.1005	7	Shaft	PIVOT FOR WHEEL BASE	20
N3.4311	8	Distance	THRUSH BLOCK AS 1730	40
FS2.1006	9	Roller	BASE WHEEL	20
N31.1105	9	Ball bearing	BALLBEARING 6203 2RS 17x40x12	40
	10			
	11			
	30	Group	MOTOR GROUP (SEE ON NEXT PAGES)	1
	31			
N4.7242	12	Chain wheel	CHAIN REGULATOR Z15 3/4x7/16	1
FS2.1009	13	Bracket	PAINTED CHAIN REGULATOR SUPPORT	1
FS2.1001	14	Chain gland	CHAIN CONTRAST PLATE	2
FS2.1056	15	Cover	PAINTED MOTOR CASING	1
FS2.1053	16	Cover	PAINTED CLOSING BASE 2200	1
FS1.1383	17	Bracket film	BRACKET FOR THE FILM	1
N1.1591	18	Screw	HEXAGON SCREW M10x12	1
N2.2455	19	Roll Pin	ROLL PIN FRP 8x10 STEEL	1
N11.1194	21	Screw	HEXAGON SOCKET HEAD CAP SCREWS M12x20	2
N1.6121	21	Washer	WASHER 13x24x2,56121	2
N1.2135	22	Screw	SOCKET CTRS. HD SCREW M5x12	4
N1.1557	23	Screw	HEXAGON SCREW M8x25	4
N1.6164	23	Washer	WASHER 8,4x17x1,6	2
N1.1507	24	Screw	HEXAGON SCREW M8x16	2
N1.6176	24	Washer	WASHER 8,4x35x1,5	1
N11.1124	25	Screw	HEXAGON SOCKET HEAD CAP SCREWS M8x12	1
N1.2170	26	Screw	SOCKET CTRS. HD SCREW M12x25	4
N5.2343	27	Limit switch	LIMIT SWITCH ERSCH E100-00 FI	1
N5.3184	27	Cable	CABLE FLEXPIU NPI 2x0,75 COLOUR BROWN-WHITE	MT.2
N5.3327	27	Cable gland	CABLE GLAND SKINTOP PG13 D.C.V. 5/12	1
N11.1174	28	Screw	HEXAGON SOCKET HEAD CAP SCREWS M4x30	2
N1.6115	28	Washer	WASHER 4,3x9	2
N1.1218	29	Screw	HEXAGON SOCKET BOTTON HEAD M5x12 ISO 7380	4
N1.1219	32	Screw	HEXAGON SOCKET BOTTON HEAD M6x12 ISO 7380	1
N1.1220	33	Screw	HEXAGON SOCKET BOTTON HEAD M6x16 ISO 7380	2
N2.1112	34	Retaining ring	CIRCLIP E17	32
FS2.1067	35	Bracket	PAINTED ANGULAR MOTOR CASING	2
N1.1219	36	Screw	HEXAGON SCREW M6x12	2
N1.6114	36	Washer	WASHER 6,4x12,5x1,6	2
N4.7352		Chain	PRE STRETCHED CHAIN 3/4x7/16 P. 240+MAGLIA (2200 2V)	1
N4.7404		Chain	CHAIN LINK 3/4 7/16	1



FS2.1344

Drive (Motor Group) FS230-250-270.02 (VARVEL)

Part no.	RIF	Description	Specification	Quantity
FS2.1344		GROUP	Drive (Motor Group) FS230-250-270.02 (VARVEL)	1
N5.1185		Motor	Motor 0.55 kW 4 poles 230/400/50 IP55 Cl.F Standard winding	1
N4.7635		Gearbox	GEARBOX FRS 60 FL 1:49 (APP.1682) IEC 71 B14 (14 105) AC25	1
N4.7633		Flange	FLANGE GEARBOX K579.203	1
N1.1511		Bolt	HEXAGON HEAD SCREW DIN 933 - M10 x 30	4
N1.6161		Washer	PLAIN WASHER DIN 125 - 10.5 x 21	4
N2.3349		Key	PARALLEL KEY DIN 6885 - A 8 x 7 x 30	3
N1.1507		Bolt	HEXAGON HEAD SCREW DIN 933 - M8 x 16	2
N1.6176		Washer	MUDWING REPAIR WASHER M8 x 35 (8,4 x 35 x 1,5)	2
FS2.1054		Shaft	MOTOR PINION SHAFT	1
FS2.1055		Chain wheel	MOTOR PINION 3/4x7/16 Z14	1



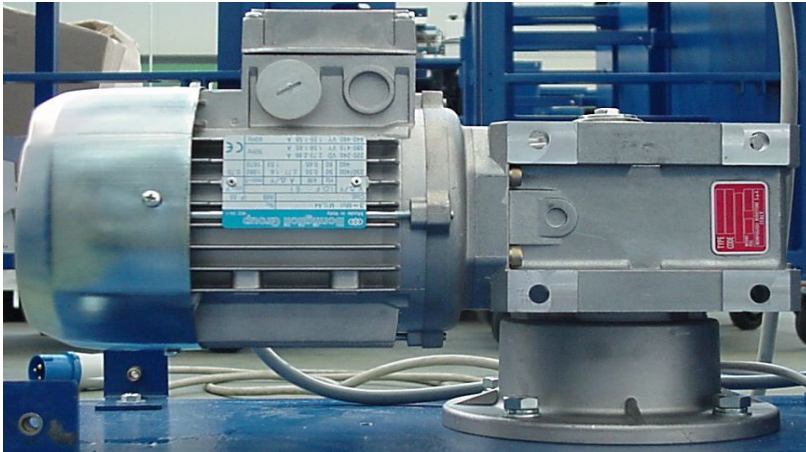
Technische Zeichnung		Werkstoff		Besondere Nr.	
Objekt	Gruppierung	Material	Norm	Zeichnungs-Nr.	Gezeichnet
Wippe	Bonfiglioli	FS230-250-270.02			
D	FS2.1343.V02.02				
FS2.1343				FS2.1343	



FS2.1343

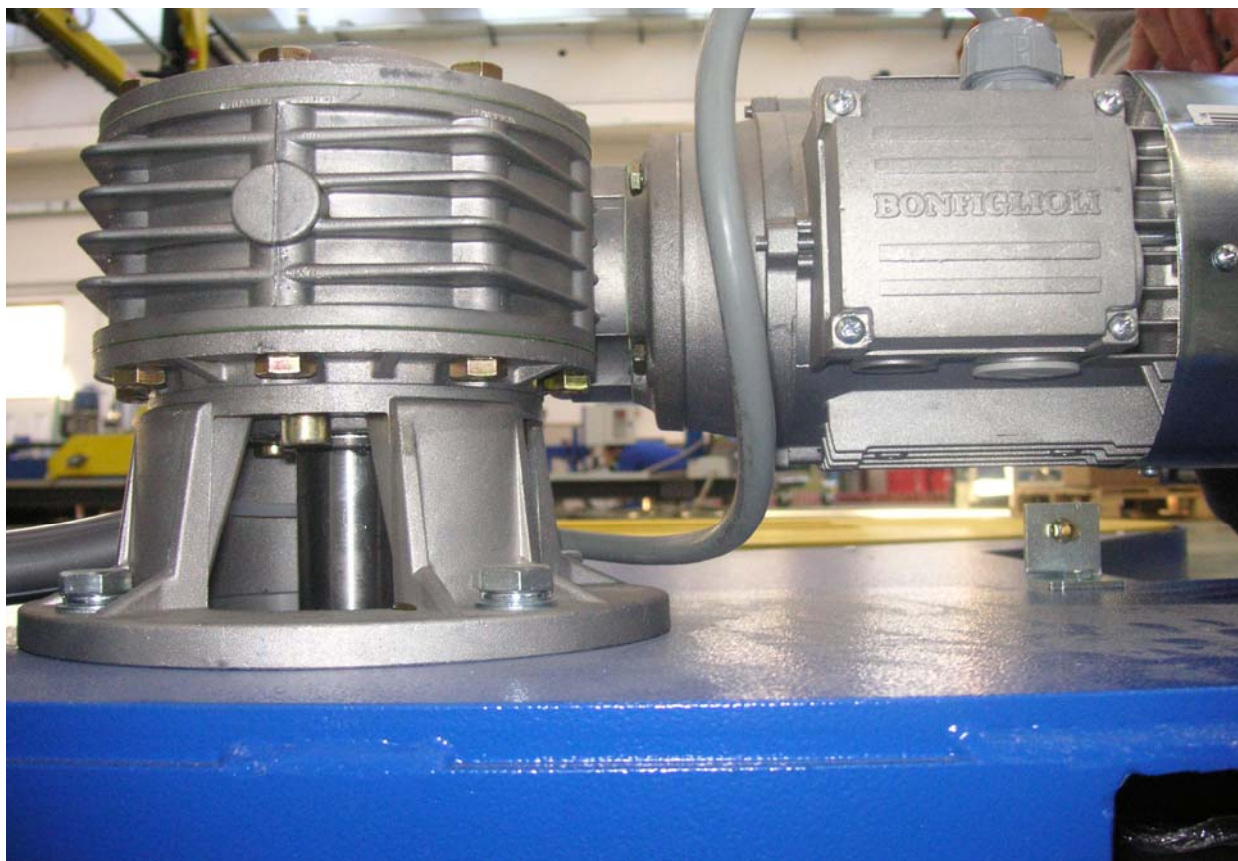
Drive (Motor Group) FS230-250-270.02 (Bonfiglioli Serie A)

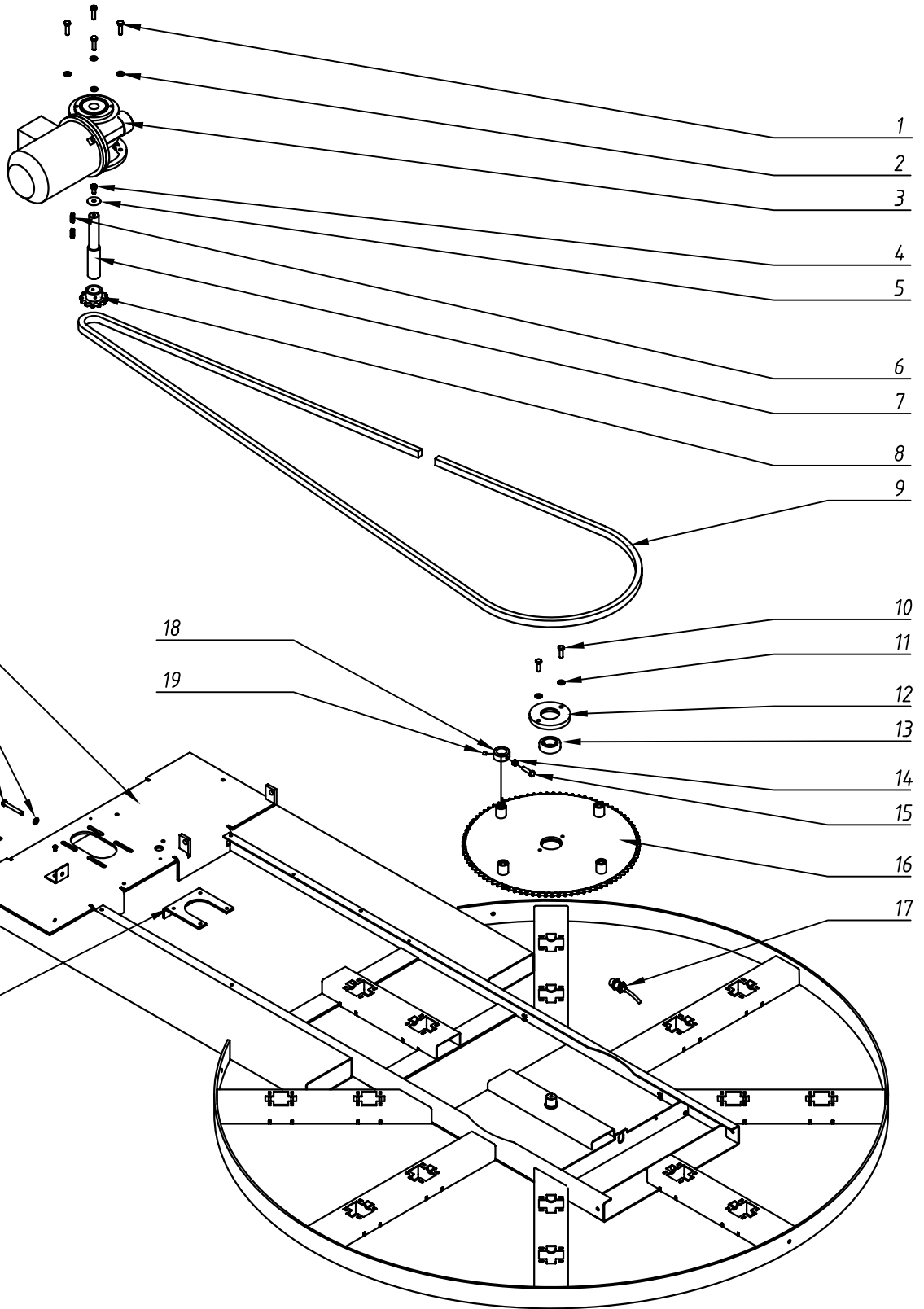
Part no.	RIF	Description	Specification	Quantity
FS2.1343		GROUP	Drive (Motor Group) FS230-250-270.02 (Bonfiglioli)	
N5.1190		Motor	BN 71C 4 230/400-50 IP55 CLF B14 MOTOR	1
N4.7636		Gearbox	W 63 UF1 45 P71 B14 B3 GEARBOX	1
N4.7637		Flange	KIT FLANGE FOR W63 GEARBOX (Closed Flange)	1
N1.1511		Bolt	HEXAGON HEAD SCREW DIN 933 - M10 x 30	4
N1.6161		Washer	PLAIN WASHER DIN 125 - 10.5 x 21	4
N2.3349		Key	PARALLEL KEY DIN 6885 - A 8 x 7 x 30	3
N1.1507		Bolt	HEXAGON HEAD SCREW DIN 933 - M8 x 16	2
N1.6176		Washer	MUDWING REPAIR WASHER M8 x 35 (8,4 x 35 x 1,5)	2
FS2.1054		Shaft	MOTOR PINION SHAFT	1
FS2.1055		Chain wheel	MOTOR PINION 3/4x7/16 Z14	1
N5.1191		Gear-Motor	W 63 UF1 45 P71 B14 B3 BN 71C 4 230/400-50 IP55 CLF B14 GEARBOX + MOTOR	1



Drive (Motor Group) FS230-250-270.02 (Bonfiglioli Serie B)

Part no.	RIF	Description	Specification	Quantity
FS2.0126		GROUP	Drive (Motor Group) FS230-250-270.02 (Bonfiglioli)	
N5.1190		Motor	BN 71C 4 230/400-50 IP55 CLF B14 MOTOR	1
N4.7639		Gearbox	VF 63 F1 45 P71 B14 B3 GEARBOX	1
N4.7640		Flange	KIT FLANGE FOR VF63 F GEARBOX (Open Flange)	1
N1.1511		Bolt	HEXAGON HEAD SCREW DIN 933 - M10 x 30	4
N1.6161		Washer	PLAIN WASHER DIN 125 - 10.5 x 21	4
N2.3349		Key	PARALLEL KEY DIN 6885 - A 8 x 7 x 30	3
N1.1507		Bolt	HEXAGON HEAD SCREW DIN 933 - M8 x 16	2
N1.6176		Washer	MUDWING REPAIR WASHER M8 x 35 (8,4 x 35 x 1,5)	2
FS2.1054		Shaft	MOTOR PINION SHAFT	1
FS2.1055		Chain wheel	MOTOR PINION 3/4x7/16 Z14	1
N5.1196		Gear-Motor	VF63F1P71B14B3BN71C4B14W 4 230/400-50 IP55 CLF B14 GEARBOX + MOTOR	1





2 - FS2.1360

FS230 - FS250 - FS270 Ø1650mm
 Serial numbers starting with:
 FS230 Series 05.00001
 FS250 Series 02.00001
 FS270 Series 02.00001

This method is protected and manufactured under license by the manufacturer. It is not allowed to publish, reproduce, copy, or use in any way without the written permission of the manufacturer.

MODI E PROFESSE CONSERVARE A TITOLO INFORMATIVO QUESTO DOCUMENTO DI UTILIZZO E CONTENUTO. È vietata espressamente la ristampa o l'uso non autorizzato senza permesso scritto dalla FROMM. È vietato anche il riciclaggio di questo documento.

Änderungen
 Modifizieren

Zeichnung
 des Zeichners

Objekt	Objekt	Pos.	Werkstoff	Material	Bestand. Nr.	Bemerkungen
Objekt	Objekt	Pos.	Werkstoff	Material	Bestand. Nr.	Bemerkungen
Änderungen: Modifizieren:						
Typ: Turntable FS2xx Ø1650mm series Models Sept. 2000						
D-FS2.1360.V01.01						
FROMM						
						FS2.1360

BASEUNIT FS2xx V02.01 1650mm (Sept 2008)

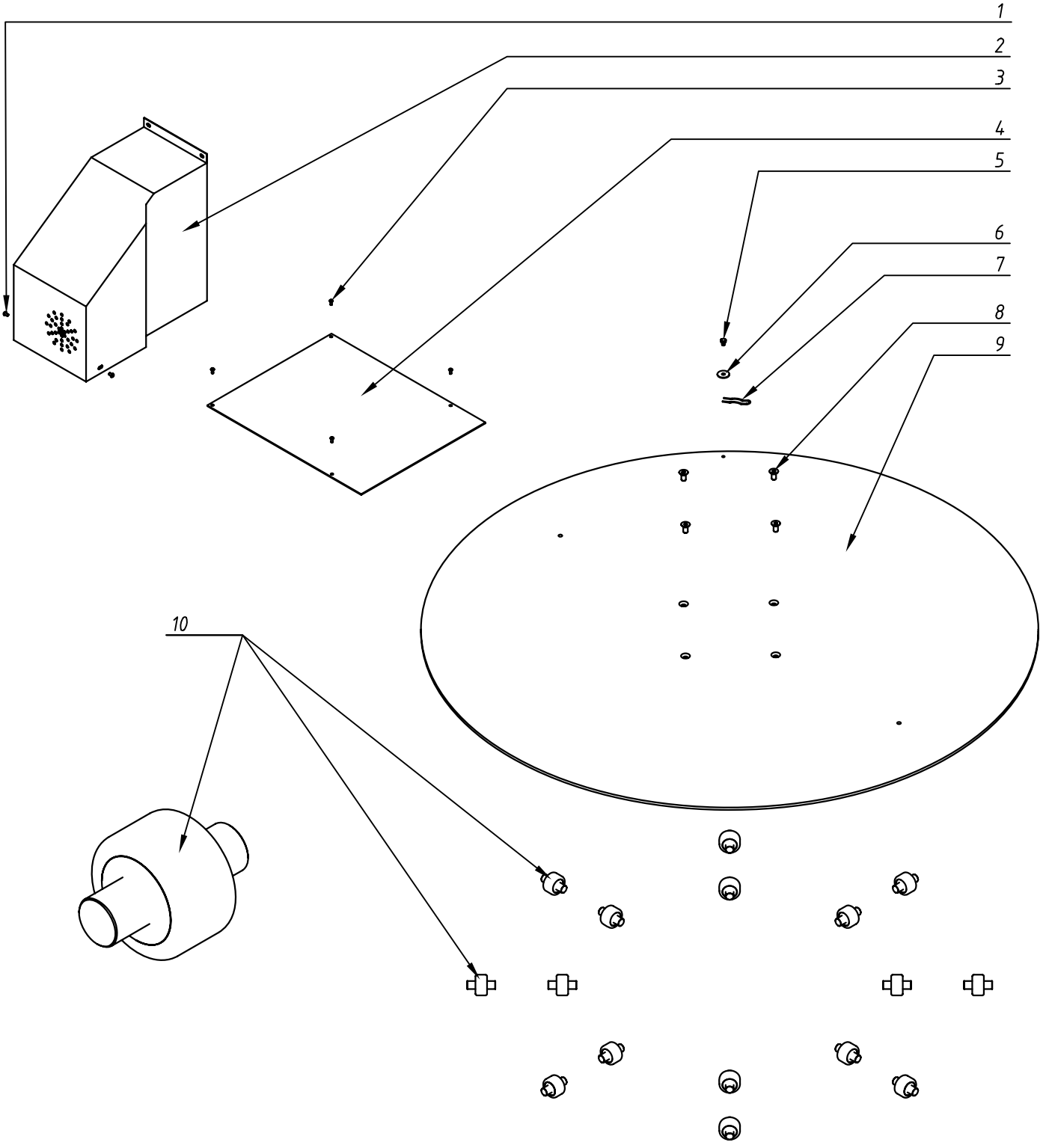
Part no.	RIF	Description	Specification	Quantity
FS2.1360		Group	BASEUNIT FS Ø1650mm	1
N1.1580	1	Bolt	HEXAGON HEAD SCREW DIN 933 - M8 x 30	4
N1.6164	2	Washer	PLAIN WASHER DIN 125 - 8,4 x 16	4
N51.1106	3	Motor / gearbox	MOTOR-GEAR RMI 50 FL R.1/20 Kw0,37/4P/71/B14 V.230/400 STM	1
N5.1169	3.1	Motor	MOTOR 0,37KW	1
N4.7646	3.2	Gearbox	GEARBOX RMI 50FL RATIO 20	1
N1.1507	4	Bolt	HEXAGON HEAD SCREW DIN 933 - M8 x 16	1
N1.6176	5	Washer	MUDWING REPAIR WASHER M8 x 35 (8,4 x 35 x 1,5)	1
N2.3314	6	Key	PARALLEL KEY DIN 6885 - A 8 x 7 x 25	2
FS2.1361	7	Shaft	Motor Shaft Baseunit V02. Sept2008	1
FS2.1362	8	Pinion	Motor pinion 5/8X3/8 Z12	1
N4.7362	9	Chain	CHAIN 5/8X3/8 P.240 BASE FS2xx	1
N4.7406	9	Chain link	JOINT 5/8x3/8	1
N1.1557	10	Bolt	HEXAGON HEAD SCREW DIN 933 - M8 x 25	2
N1.6164	11	Washer	PLAIN WASHER DIN 125 - 8,4 x 16	2
FS2.1363	12	Ball bearing	BALLBEARING FLANGE	1
N31.1106	13	Ball bearing	BALLBEARING 6205 2RS 25 x 52 x 15	1
N1.1580	15	Bolt	HEXAGON HEAD SCREW DIN 933 - M8 x 30	1
N1.5106	14	Nut	NUT DIN 934 - M8	1
FS2.1364	16	Chain wheel	TOOTH WHEEL 3/4x7/16 Z40	1
N5.2551	17	Sensor	PROXIMITY SENSOR AK1/AP-1A84	1
N7.2207	18	Metal ring	BLOCKING RING DIN 705 SHAPE C D. 25	1
N1.3313	19	Screw	Hexagon socket set screw with cup point M6 x 12	1
FS2.1365	20	Base unit	PAINTED BASE UNIT DIAMETER 1650 Version Sept 2008	1
N1.6117	21	Washer	WASHER - 8,4 x 17 x 1,6	1
N1.1576	22	Bolt	HEXAGON HEAD SCREW DIN 933 - M8 x 60	1
N11.1142	23	Screw	BUTTON HEAD SCREW ISO 7380 - M6 x 16	4
FS2.1067	24	Bracket	PAINTED ANGULAR MOTOR CASING	2
FS2.1366	25	Bracket	MOTOR / GEAR MOUNTING BRACKET	1

This method is protected and manufactured by manufacturer. It is not allowed to publish, reproduce any parts or even whole of them without written permission of the manufacturer.

MOD. E' PROIBITO CONSIDERARE A TITOLO APPROXIMATIVO QUESTO DOCUMENTO DI UTILIZZO E CONTENUTO. IL RISPETTAMENTO DEI LIMITI SUGGERITI E' FATTA RISERVA SU TUTTI I DIRITTI DERIVANTI DA BREVETTI O MODELLI.

Änderungen
Modifiche:

Änderung Zahl
No. of changes

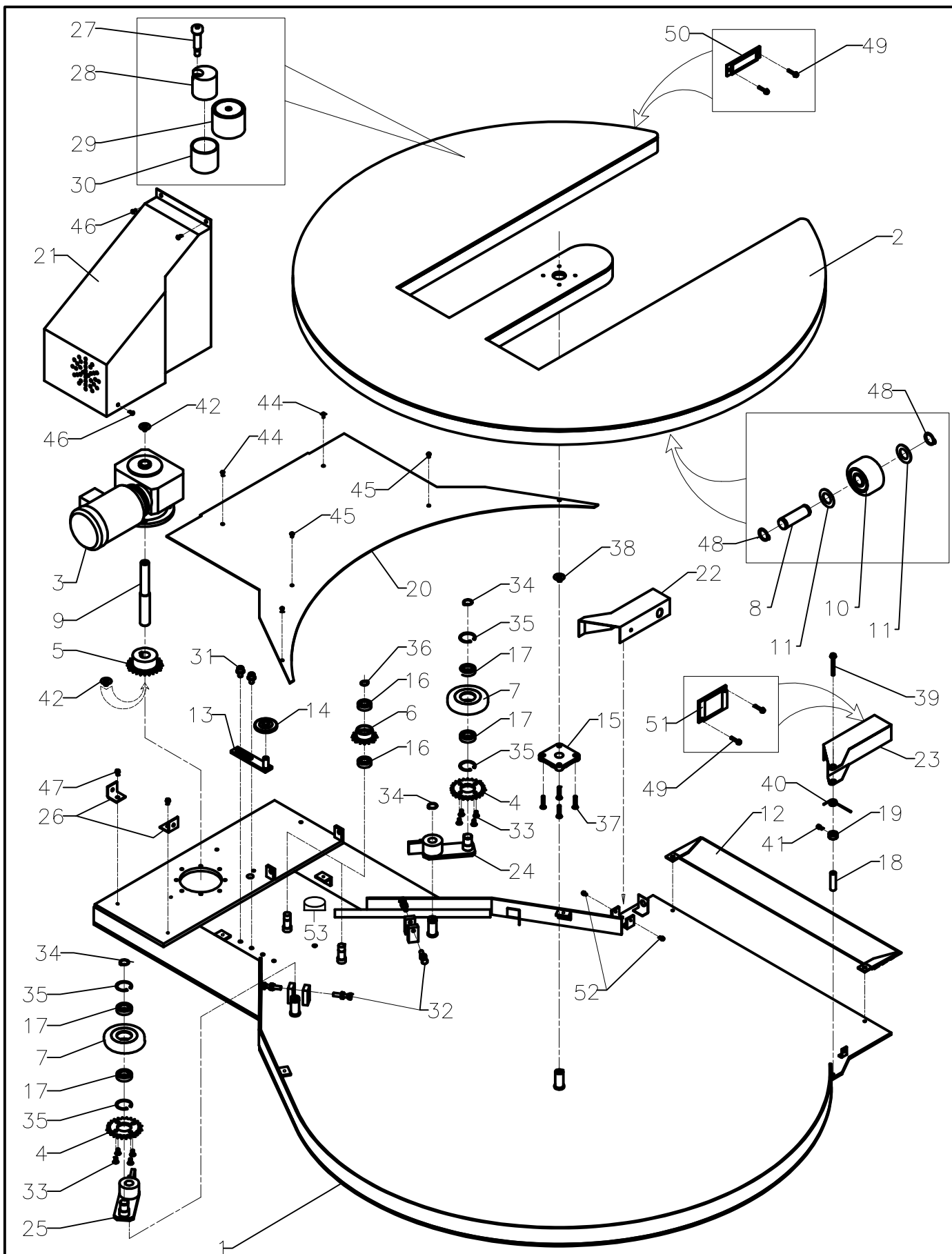


1 -FS2.1367

FS230 - FS250 - FS270 Ø1650mm
 Serial numbers starting with:
 FS230 Series 05.00001
 FS250 Series 02.00001
 FS270 Series 02.00001

Objekt Object	Pos.	Werkstoff Material	Zeichn. Drawing	Bestand. Nr. Element Nr.	Bemerkungen Observations
Änderungen: Modifiche:					
Typ: Turntable FS2xx Ø1650mm series Models Sept. 2006 D-FS2.1367.V01.01			Maßstab Scale 1:1	Zeichn. Nr. Drawing No. FS2.1367	Planungs Design 23-05-06
FROMM				FS2.1367	

Part no.	RIF	Description	Specification	Quantity
FS2.1367		Group	BASEUNIT FS Ø1650mm	1
N1.1219	1	Screw	BUTTON HEAD SCREW ISO 7380 - M5 x 35	4
FS2.1056	2	Cover	PAINTED MOTOR CASING RAL5010	1
N1.1209	3	Screw	BUTTON HEAD SCREW ISO 7380 - M5 x 12	4
FS2.1368	4	Cover	PAINTED CLOSING BASE 1650mm Version Sept2008	1
N1.1511	5	Bolt	HEXAGON HEAD SCREW DIN 933 - M8 x 10	1
N1.6176	6	Washer	MUDWING REPAIR WASHER M8 x 35 (8,4 x 35 x 1,5)	1
FS2.1369	7	Spring	FILM HOLDER CLIP	1
N1.2170	8	Bolt	SOCKET CTRS. HD SCREW DIN 7991-A- M12 x 25	1
FS2.1370	9	Disk	DISK 1650mm Version Sept2008	1
FS2.1371	10	Roll	ROLL COMPLETE Base unit V02. Sept2008	16

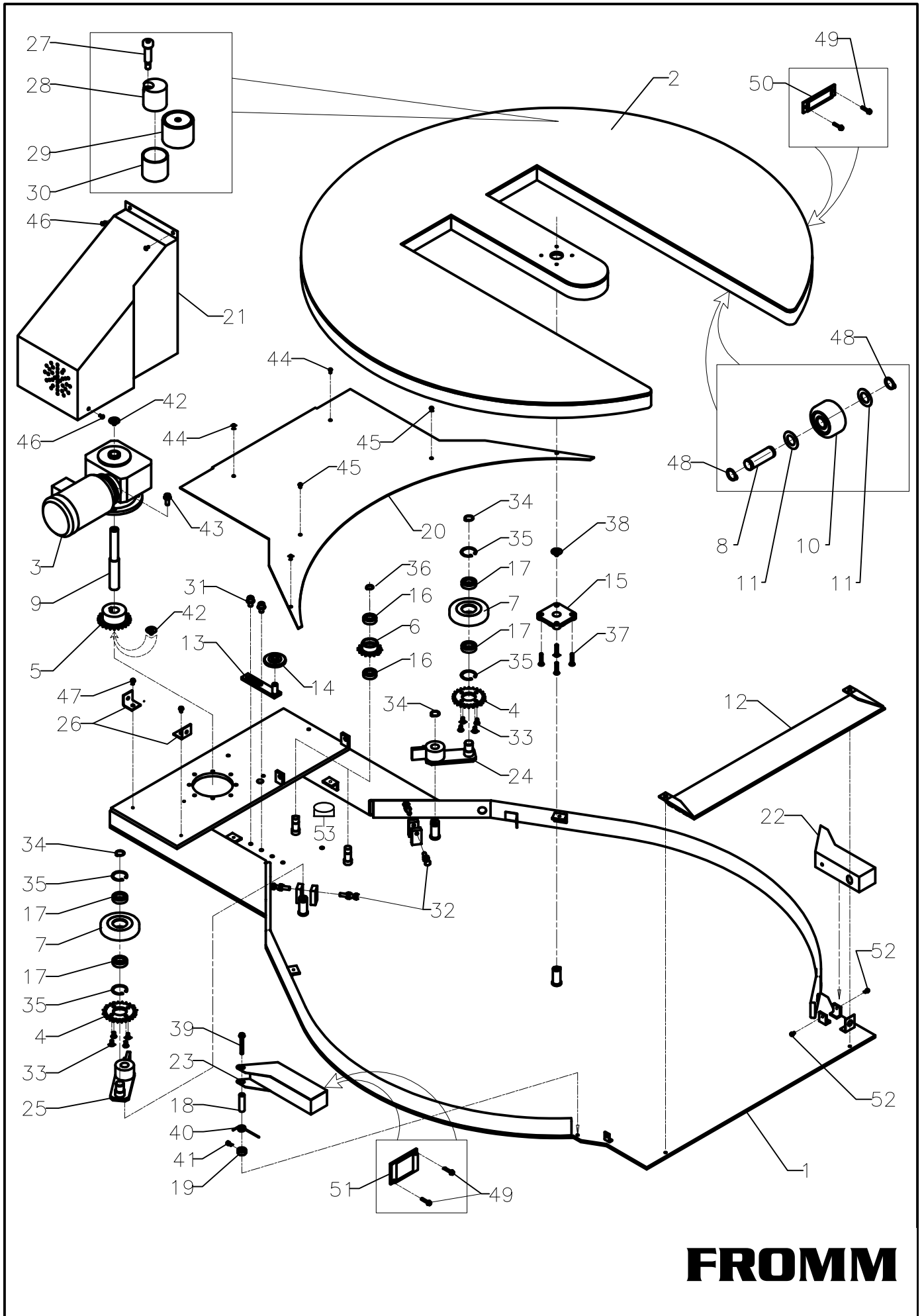


FROMM

Horse Shoe Turntable FS230 – FS250 – FS270 Ø 1650 mm (Standard version)

Part no.	RIF	Description	Specification	Quantity
FS2.1065	1	Base unit	BASE UNIT TRANSPALLET 2°V VERNICIATO	1
FS2.1074	2	Disk	TURNTABLE	1
	3			
	5			
	9	Group	MOTOR GROUP (SEE ON NEXT PAGES)	1
	42			
	43			
FS2.1070	4	Chain wheel	CORONA RUOTA TRAINO DISCO 1/2X5/16 Z24	2
FS2.1069	6	Chain wheel	FREE PIGNON 1/2X5/16 Z16	2
FS2.1071	7	Support wheel	MOVEMENT TURNTABLE WHEEL	2
FS2.1075	8	Shaft	TURNTABLE WHEEL PIVOT	8
FS2.1006	10	Roller	BASE WHEEL	8
N31.1105	10	Ball bearing	BALLBEARING 6203 2RS 17X40X12	16
N3.4311	11	Distance	THRUSH BLOCK AS 1730	16
FS2.1066	12	Ramp	PAINTED LOAD PLATFORM	1
FS2.1009	13	Bracket	PAINTED CHAIN REGULATOR SUPPORT	1
N4.7243	14	Chain wheel	CHAIN REGULATOR 1/2 Z 16	1
N3.4624	15	Ball bearing	SWINGING BRACKET UCF 205	1
N31.1107	16	Ball bearing	BALLBEARING 6004 2RS 20X42X12	4
N31.1108	17	Ball bearing	BALLBEARING 6005 25X47X12	4
FS2.1060	18	Reflector	REFLECTOR CASING PIVOT PERNO	1
N7.2208	19	Metal ring	SET COLLAR DIN 705 SHAPE C DIAM.17	1
FS2.1062	20	Cover	PAINTED CARRIAGE CHAIN PROTECTION CASING	1
FS2.1056	21	Cover	PAINTED MOTOR CASING	1
FS2.1063	22	Cover	PAINTED PHOTOCELL PROTECTION CASING	1
N5.2643	22	Photoelectric cell	REFLECTOR 90°	2
FS2.1064	23	Cover	PAINTED REFLECTOR PROTECTION CASING	1
FS2.1072	24	Bracket	LEFT MOVEMENT TURNTABLE WHEEL BRACKET	1
FS2.1073	25	Bracket	RIGHT MOVEMENT TURNTABLE WHEEL BRACKET	1
FS2.1067	26	Bracket	PAINTED ANGULAR MOTOR CASING ANGOLARE C	2
FS1.1383	27	Bracket film	BRACKET FOR THE FILM	1
N1.1591	28	Screw	HEXAGON SCREW M10x12	1
N2.2455	29	Roll Pin	ROLL PIN FRP 8x10 STEEL	1
N11.1194	31	Screw	HEXAGON SOCKET HEAD CAP SCREWS M12 x 20	2
N1.6121	31	Washer	WASHER 13 X 24 X 2,56121	2
N1.1568	32	Screw	HEXAGON SCREW M10 X 50	4
N1.5108	32	Nut	NUT M10	4
N1.2117	33	Screw	SOCKET CTRS. HD SCREW M8 X 16	8
N2.1105	34	Retaining ring	CIRCLIP J25	4
N2.1205	35	Retaining ring	CIRCLIP J47	4
N2.1108	36	Retaining ring	CIRCLIP E20	2
N1.2160	37	Screw	SOCKET CTRS. HD SCREW M8 X 30	4
N1.1507	38	Screw	HEXAGON SCREW M8 X 16	1
N1.6176	38	Washer	WASHER 8,4x35x1,5	1
N11.1165	39	Screw	HEXAGON SOCKET HEAD CAP SCREWS M8 x 70	1
N1.6117	39	Washer	WASHER 8,4 X 17 X 1,6	1
FS2.1061	40	Photoelectric cell	PHOTOCELL CASING EMERGENCY SPRING	1
N11.1135	41	Screw	HEXAGON SOCKET HEAD CAP SCREWS M6 x 12	1

N1.1511	43	Screw	HEXAGON SCREW M10 X 30	4
N1.6161	43	Washer	WASHER 10,5 X 20 X 2 UNI 6592	4
N1.6201	43	Lock washer	SPRING LOCK WASHER M10	4
N1.1218	44	Screw	HEXAGON SOCKET BOTTON HEAD M5 x 12 ISO 7380	4
N1.1219	45	Screw	HEXAGON SOCKET BOTTON HEAD M6 x 12 ISO 7380	2
N1.1220	46	Screw	HEXAGON SOCKET BOTTON HEAD M6 x 16 ISO 7380	4
N1.1219	47	Screw	HEXAGON SCREW M6 X 12	2
N1.6114	47	Washer	WASHER 6,4 X 12,5 X 1,6	2
N2.1112	48	Retaining ring	ELASTIC RING DIN 471 D.17	32
N11.1198	49	Screw	HEXAGON SOCKET HEAD CAP SCREWS M3 x 16 ISO 4762	4
N1.6123	49	Washer	WASHER 3,2 X 7 X 0,5	4
N5.2644	50	Reflector	REFLECTOR RL 112-G 19X73	1
N5.2645	51	Reflector	REFLECTOR RL 116 41X52	1
N11.1101	52	Screw	HEXAGON SOCKET HEAD CAP SCREWS M5 x 12	2
N1.6167	52	Washer	WASHER 5,3X10	2
N5.6612	53	Connection box	CONNECTION BOXGW 44002 GEWISS	1
FS2.1131	53	Terminal Bar	TERMINAL BAR BK6 WEIDM.	1
N4.7341		Chain	PRESTRETCH CHAIN 1/2X5/16 P233(TRANS.2V)	1
N4.7413		Chain	CHAIN LINK 1/2 5/16	1
N2.1205		Retaining ring	CIRCLIP J47	4
N2.1105		Retaining ring	CIRCLIP J25	2

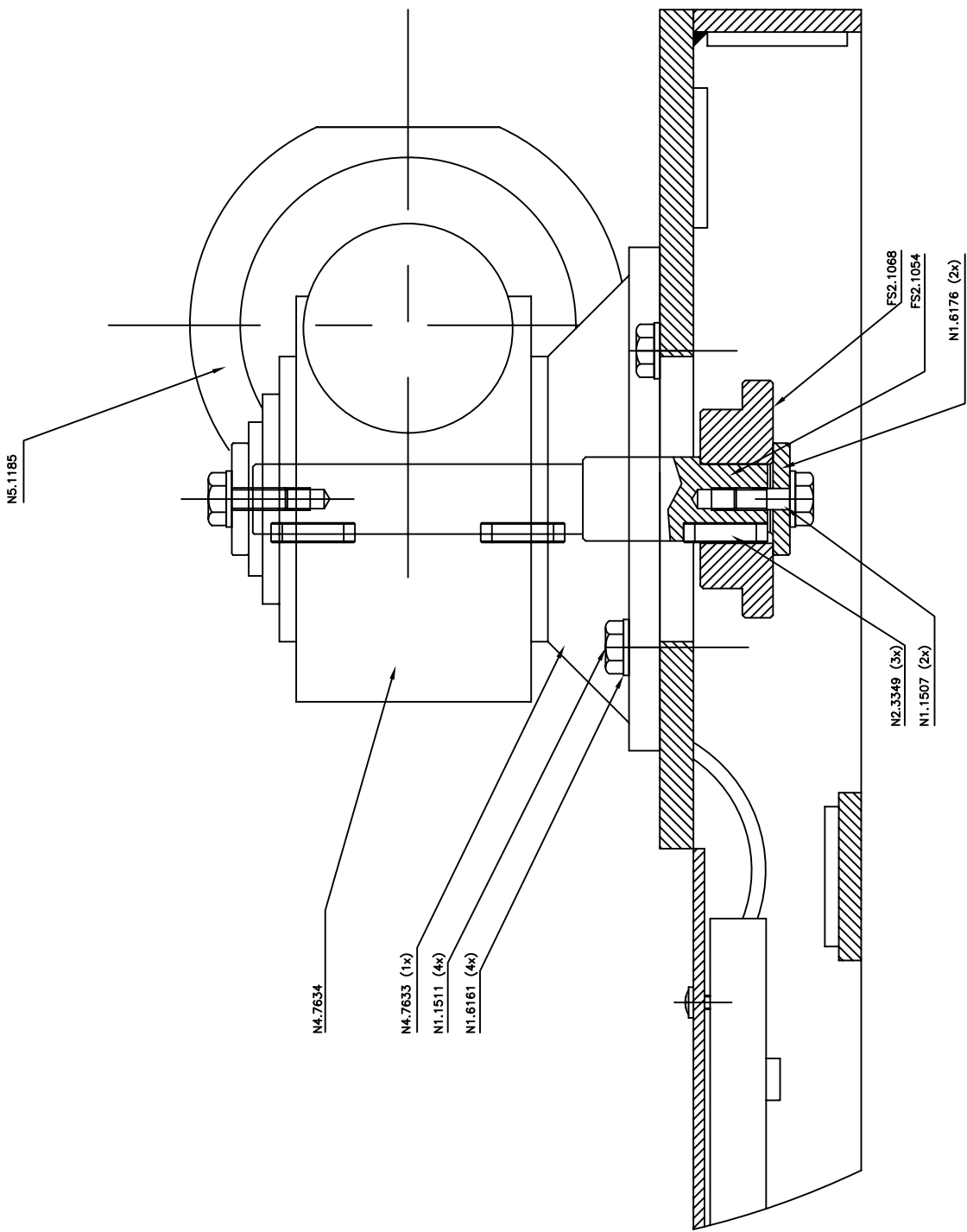


FROMM

Horse Shoe Turntable FS230 – FS250 – FS270 Ø 1650 mm (Front Loading)

Part no.	RIF	Description	Specification	Quantity
FS2.1132	1	Base unit	BASE UNIT TRANSPALLET 2°V VERNICIATO	1
FS2.1133	2	Disk	TURNTABLE	1
	3			
	5			
	9	Group	MOTOR GROUP (SEE ON NEXT PAGES)	1
	42			
FS2.1070	4	Chain wheel	CORONA RUOTA TRAINO DISCO 1/2X5/16 Z24	2
FS2.1069	6	Chain wheel	FREE PIGNON 1/2X5/16 Z16	2
FS2.1071	7	Support wheel	MOVEMENT TURNTABLE WHEEL	2
FS2.1075	8	Shaft	TURNTABLE WHEEL PIVOT	8
FS2.1006	10	Roller	BASE WHEEL	8
N31.1105	10	Ball bearing	BALLBEARING 6203 2RS 17X40X12	16
N3.4311	11	Distance	THRUSH BLOCK AS 1730	16
FS2.1066	12	Ramp	PAINTED LOAD PLATFORM	1
FS2.1009	13	Bracket	PAINTED CHAIN REGULATOR SUPPORT	1
N4.7243	14	Chain wheel	CHAIN REGULATOR 1/2 Z 16	1
N3.4624	15	Ball bearing	SWINGING BRACKET UCF 205	1
N31.1107	16	Ball bearing	BALLBEARING 6004 2RS 20X42X12	4
N31.1108	17	Ball bearing	BALLBEARING 6005 25X47X12	4
FS2.1060	18	Reflector	REFLECTOR CASING PIVOT PERNO	1
N7.2208	19	Metal ring	SET COLLAR DIN 705 SHAPE C DIAM.17	1
FS2.1062	20	Cover	PAINTED CARRIAGE CHAIN PROTECTION CASING	1
FS2.1056	21	Cover	PAINTED MOTOR CASING	1
FS2.1063	22	Cover	PAINTED PHOTOCELL PROTECTION CASING	1
N5.2643	22	Photoelectric cell	REFLECTOR 90°	2
FS2.1064	23	Cover	PAINTED REFLECTOR PROTECTION CASING	1
FS2.1072	24	Bracket	LEFT MOVEMENT TURNTABLE WHEEL BRACKET	1
FS2.1073	25	Bracket	RIGHT MOVEMENT TURNTABLE WHEEL BRACKET	1
FS2.1067	26	Bracket	PAINTED ANGULAR MOTOR CASING ANGOLARE C	2
FS1.1383	27	Bracket film	BRACKET FOR THE FILM	1
N1.1591	28	Screw	HEXAGON SCREW M10x12	1
N2.2455	29	Roll Pin	ROLL PIN FRP 8x10 STEEL	1
N11.1194	31	Screw	HEXAGON SOCKET HEAD CAP SCREWS M12 x 20	2
N1.6121	31	Washer	WASHER 13 X 24 X 2,56121	2
N1.1568	32	Screw	HEXAGON SCREW M10 X 50	4
N1.5108	32	Nut	NUT M10	4
N1.2117	33	Screw	SOCKET CTRS. HD SCREW M8 X 16	8
N2.1105	34	Retaining ring	CIRCLIP J25	4
N2.1205	35	Retaining ring	CIRCLIP J47	4
N2.1108	36	Retaining ring	CIRCLIP E20	2
N1.2160	37	Screw	SOCKET CTRS. HD SCREW M8 X 30	4
N1.1507	38	Screw	HEXAGON SCREW M8 X 16	1
N1.6176	38	Washer	WASHER 8,4x35x1,5	1
N11.1165	39	Screw	HEXAGON SOCKET HEAD CAP SCREWS M8 x 70	1
N1.6117	39	Washer	WASHER 8,4 X 17 X 1,6	1
FS2.1061	40	Photoelectric cell	PHOTOCELL CASING EMERGENCY SPRING	1
N11.1135	41	Screw	HEXAGON SOCKET HEAD CAP SCREWS M6 x 12	1
N1.1218	44	Screw	HEXAGON SOCKET BOTTON HEAD M5 x 12 ISO 7380	4

N1.1219	45	Screw	HEXAGON SOCKET BOTTON HEAD M6 x 12 ISO 7380	2
N1.1220	46	Screw	HEXAGON SOCKET BOTTON HEAD M6 x 16 ISO 7380	4
N1.1219	47	Screw	HEXAGON SCREW M6 X 12	2
N1.6114	47	Washer	WASHER 6,4 X 12,5 X 1,6	2
N2.1112	48	Retaining ring	ELASTIC RING DIN 471 D.17	32
N1.6123	49	Washer	WASHER 3,2 X 7 X 0,5	4
N5.2644	50	Reflector	REFLECTOR RL 112-G 19X73	1
N5.2645	51	Reflector	REFLECTOR RL 116 41X52	1
N11.1101	52	Screw	HEXAGON SOCKET HEAD CAP SCREWS M5 x 12	2
N1.6167	52	Washer	WASHER 5,3X10	2
N5.6612	53	Connection box	CONNECTION BOXGW 44002 GEWISS	1
FS2.1131	53	Terminal Bar	TERMINAL BAR BK6 WEIDM.	1
N4.7341		Chain	PRESTRETCH CHAIN 1/2X5/16 P233(TRANS.2V)	1
N4.7413		Chain	CHAIN LINK 1/2 5/16	1
N2.1205		Retaining ring	CIRCLIP J47	4
N2.1105		Retaining ring	CIRCLIP J25	2



Zeichnung Blatt 11	Gegenstand Objekte a)	Pos. 1	Werkstoff Material 	Material-Nr. Material No. 1.4301	Zeichnungs-Nr. Drawing No. FS2.1157.V01.02	Blatt-Nr. Sheet No. 11	Blattanzahl Sheet Count 11	Datum Date 11.05.05	Zeichner Drafter -	Geprüft Checked -	Freigegeben Released -	Genehmigt Approved -
D-FS2.1157.V01.02											FS2.1157	
FROMM											FS2.1157	



FS2.1157

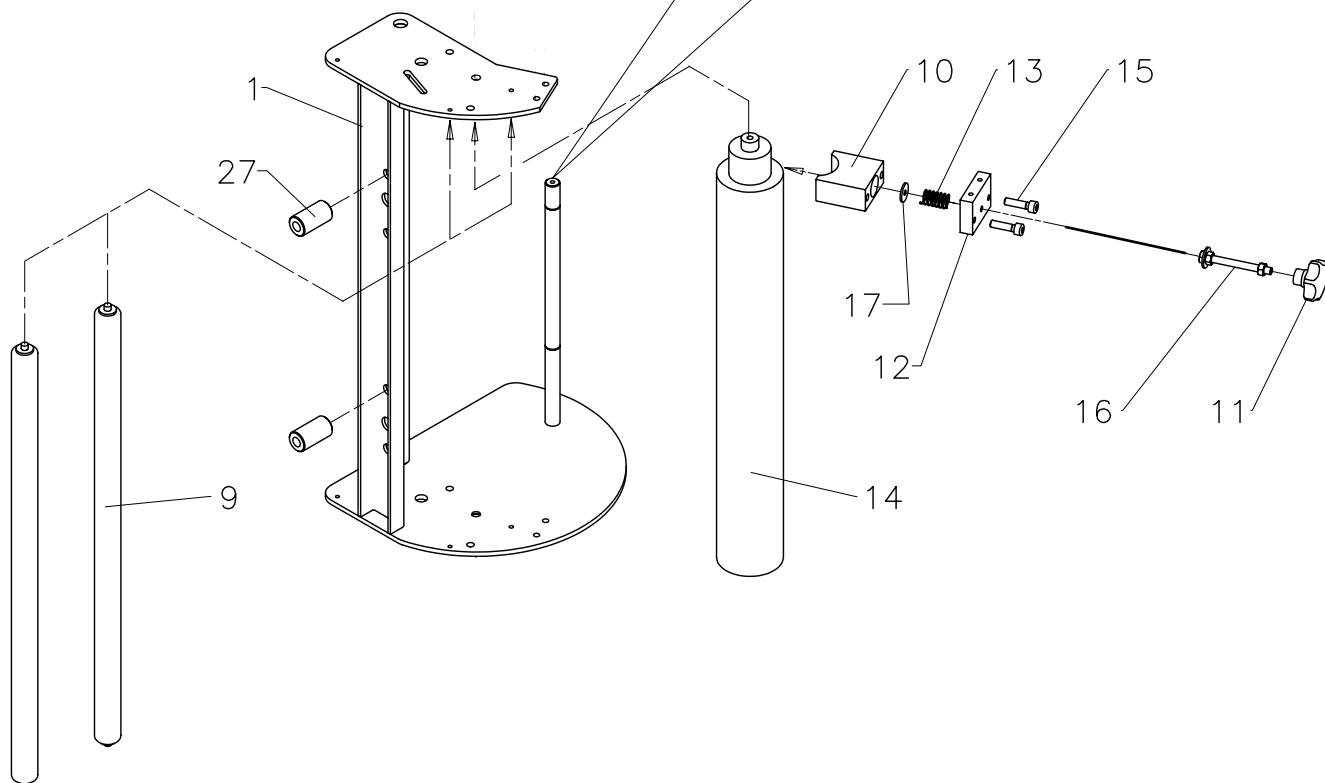
Drive (Motor Group) Horse Shoe Machines

Part no.	RIF	Description	Specification	Quantity
FS2.1157		GROUP	Drive (Motor Group) FS230-250-270-400.02 (Varvel)	1
N5.1185		Motor	Motor 0.55 kW 4 poles 230/400/50 IP55 Cl.F Standard winding	1
N4.7634		Gearbox	FRS 60 FL 1:10 (APP.1682) IEC 71 B14 (14 105) AC25	1
N4.7633		Flange	FLANGE GEARBOX K579.203	1
N1.1511		Bolt	HEXAGON HEAD SCREW DIN 933 - M10 x 30	4
N1.6161		Washer	PLAIN WASHER DIN 125 - 10.5 x 21	4
N2.3349		Key	PARALLEL KEY DIN 6885 - A 8 x 7 x 30	3
N1.1507		Bolt	HEXAGON HEAD SCREW DIN 933 - M8 x 16	2
N1.6176		Washer	MUDWING REPAIR WASHER M8 x 35 (8,4 x 35 x 1,5)	2
FS2.1054		Shaft	MOTOR PINION SHAFT	1
FS2.1068		Chain wheel	MOTOR SHAFT P.1/2X5/16 Z24	1



Drive (Motor Group horse shoe) FS230-250-270.02 (Bonfiglioli)

Part no.	RIF	Description	Specification	Quantity
FS2.1345		GROUP	Drive (Motor Group) FS230-250-270.02 (Bonfiglioli)	
N5.1190		Motor	BN 71C 4 230/400-50 IP55 CLF B14 MOTOR	1
N4.7638		Gearbox	W 63 UF1 10 P71 B14 B3 GEARBOX	1
N4.7637		Flange	KIT FLANGE FOR W63 GEARBOX	1
N1.1511		Bolt	HEXAGON HEAD SCREW DIN 933 - M10 x 30	4
N1.6161		Washer	PLAIN WASHER DIN 125 - 10.5 x 21	4
N2.3349		Key	PARALLEL KEY DIN 6885 - A 8 x 7 x 30	3
N1.1507		Bolt	HEXAGON HEAD SCREW DIN 933 - M8 x 16	2
N1.6176		Washer	MUDWING REPAIR WASHER M8 x 35 (8,4 x 35 x 1,5)	2
FS2.1054		Shaft	MOTOR PINION SHAFT	1
FS2.1055		Chain wheel	MOTOR PINION 3/4x7/16 Z14	1
N5.1192		Gear-Motor	W 63 UF1 10 P71 B14 B3 BN 71C 4 230/400-50 IP55 CLF B14 GEARBOX + MOTOR	1



Carriage FS 210

FROMM

Carriage FS210

Part no.	RIF	Description	Specification	Quantity
FS2.1044	1	Carriage	PAINTED CARRIAGE FRAME	1
N7.2206	2	Metal ring	SET COLLAR DIN 705 SHAPE C D.18	1
FS2.1045	3	Bracket	HARMONIC STEEL PLATE SPOOL HOLDER LOCKER	2
FS2.1046	4	Holder	SPOOL HOLDER FLANGE	1
FS2.1039	5	Gland	SPOOL GUIDE ROLLER	1
FS2.1037	6	Spring	SPOOL HOLDER SPRING	1
N1.6325	7	Distance	SPACER RING SHAPE PS 18X25X1	1
N2.1112	8	Retaining ring	ELASTIC RING DIN 471 D.17	2
FS2.1038	9	Roller	IDLE ROLLER DIAM.30/8 8.0.2. T=595 L=600 E=612	2
FS2.1042	10	Brake	RUBBERED ROLLER BRAKE STOPPER (REV.01)	1
N4.2602	11	Wheel	HAND-WHEEL TREAD M 8	1
FS2.1041	12	Bracket	KNOB SUPPORT	1
FS2.1040	13	Spring	FILM BRAKE SPRING	1
FS2.1043	14	Brake	RUBBERED ROLLER FILM BRAKE	1
N1.1218	15	Screw	HEXAGON SOCKET HEAD CAP SCREWS M8x30	2
N1.6164	15	Washer	WASHER 8,4x17	2
N11.1143	19	Screw	HEXAGON SOCKET HEAD CAP SCREWS M6x20	2
N1.6169	19	Washer	WASHER 6,4x18x1,6	2
N1.1119	20	Screw	HEXAGON SOCKET HEAD CAP SCREWS M8x16	1
N1.1702	21	Screw	VITE M4x16 Aurofil. UNI 6956	4
N11.1135	22	Screw	HEXAGON SOCKET HEAD CAP SCREWS M6x12	1
N1.6114	22	Washer	WASHER 6,4x12,5x1,6	1
FS2.1079	27	Distance		2
N42.9157		Label	FILM Sticker Yellow Black FS 210 / FS 230 / FS 250	1

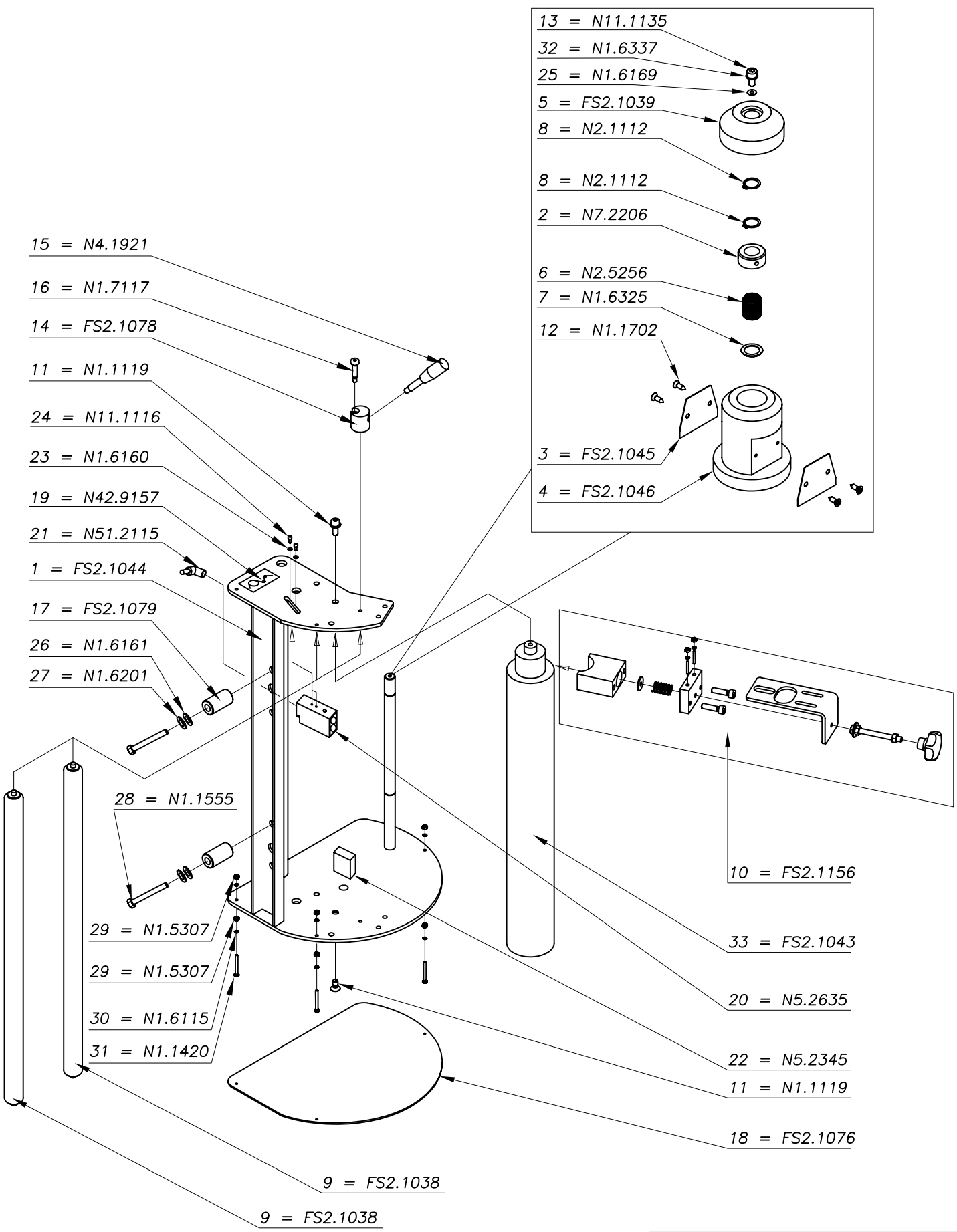
This method is explained and therefore used by manufacturer. It is not allowed to publish, reproduce, or use this information without the express permission of the manufacturer.

È permesso conservare, usare, riprodurre questo documento per l'uso personale. È vietata espressamente la ristampa, la riproduzione o l'uso non autorizzato senza permesso scritto dalla Frommi. È vietato il risarcimento dei danni subiti, e fatta riserva di tutti i diritti derivanti da brevetti o modelli.

Änderungen:
Modifiche:

© 2011 Frommi
Carriola FS 230
D-20116

Druckzeit:
Vollzeit



- 15 = N4.1921
- 16 = N1.7117
- 14 = FS2.1078
- 11 = N1.1119
- 24 = N11.1116
- 23 = N1.6160
- 19 = N42.9157
- 21 = N51.2115
- 1 = FS2.1044
- 17 = FS2.1079
- 26 = N1.6161
- 27 = N1.6201

- 13 = N11.1135
- 32 = N1.6337
- 25 = N1.6169
- 5 = FS2.1039
- 8 = N2.1112
- 8 = N2.1112
- 2 = N7.2206
- 6 = N2.5256
- 7 = N1.6325
- 12 = N1.1702
- 3 = FS2.1045
- 4 = FS2.1046

- 28 = N1.1555
- 29 = N1.5307
- 29 = N1.5307
- 30 = N1.6115
- 31 = N1.1420

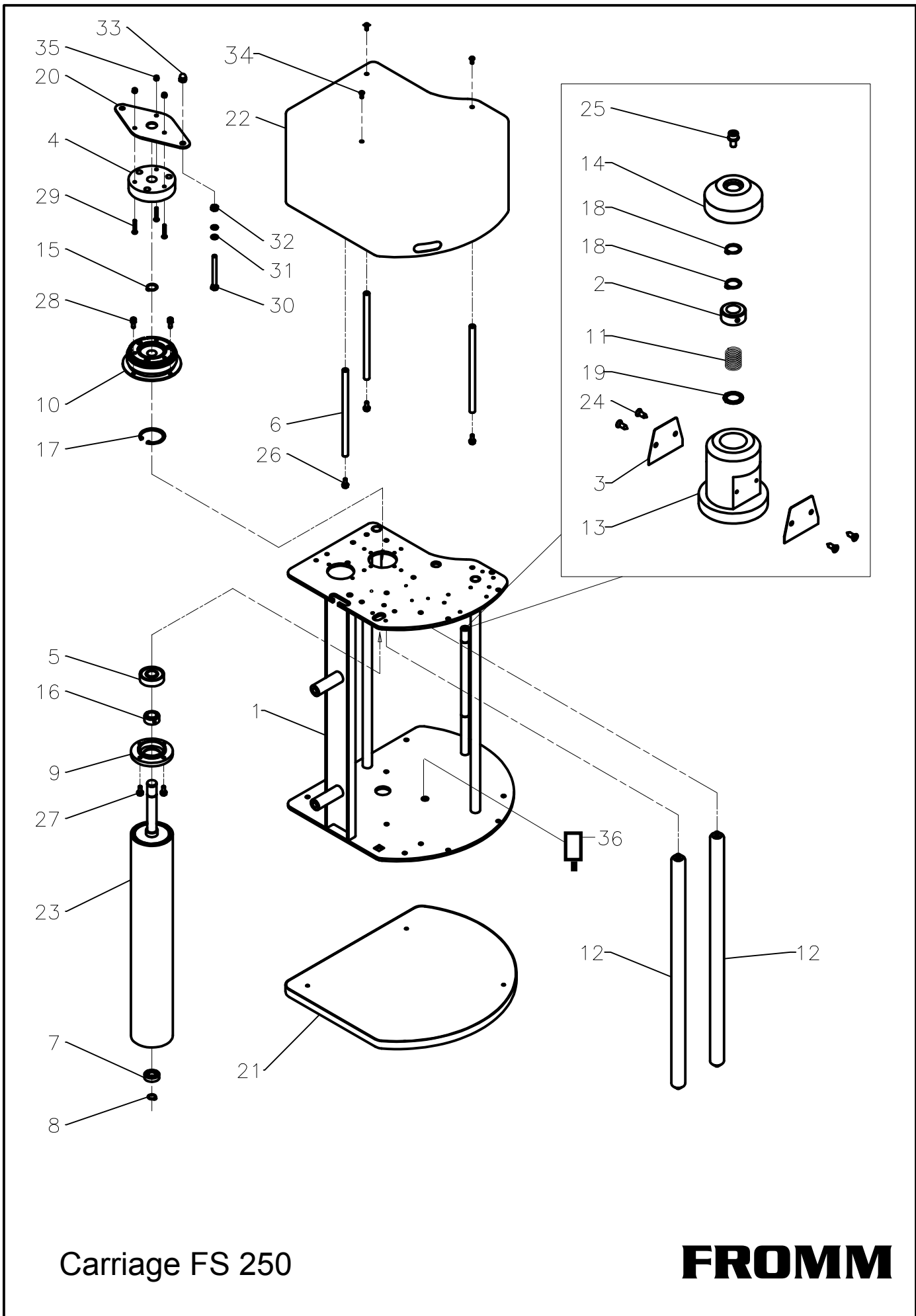
- 10 = FS2.1156
- 33 = FS2.1043
- 20 = N5.2635
- 22 = N5.2345
- 11 = N1.1119
- 18 = FS2.1076

- 9 = FS2.1038
- 9 = FS2.1038

Material	Gegenstand	Pos.	Werkstoff	Material	Bestand. Nr.	Bemerkungen
11/12	Objekt				Element Nr.	Observation
	Änderungen:	①				Erstellt durch
	Modifiche:					Erstellt durch
	Typ:					Erstellt durch
	Version:					Erstellt durch
	Modell:					Erstellt durch
	Scale:					Erstellt durch
	Material:					Erstellt durch
	Color:					Erstellt durch
	Notes:					Erstellt durch
	Author:					Erstellt durch
	Check:					Erstellt durch
	Drawn:					Erstellt durch
	Scale:					Erstellt durch
	Material:					Erstellt durch
	Color:					Erstellt durch
	Notes:					Erstellt durch
	Author:					Erstellt durch
	Check:					Erstellt durch
	Drawn:					Erstellt durch
	Scale:					Erstellt durch
	Material:					Erstellt durch
	Color:					Erstellt durch
	Notes:					Erstellt durch
	Author:					Erstellt durch
	Check:					Erstellt durch
	Drawn:					Erstellt durch
	Scale:					Erstellt durch
	Material:					Erstellt durch
	Color:					Erstellt durch
	Notes:					Erstellt durch
	Author:					Erstellt durch
	Check:					Erstellt durch
	Drawn:					Erstellt durch
	Scale:					Erstellt durch
	Material:					Erstellt durch
	Color:					Erstellt durch
	Notes:					Erstellt durch
	Author:					Erstellt durch
	Check:					Erstellt durch
	Drawn:					Erstellt durch
	Scale:					Erstellt durch
	Material:					Erstellt durch
	Color:					Erstellt durch
	Notes:					Erstellt durch
	Author:					Erstellt durch
	Check:					Erstellt durch
	Drawn:					Erstellt durch
	Scale:					Erstellt durch
	Material:					Erstellt durch
	Color:					Erstellt durch
	Notes:					Erstellt durch
	Author:					Erstellt durch
	Check:					Erstellt durch
	Drawn:					Erstellt durch
	Scale:					Erstellt durch
	Material:					Erstellt durch
	Color:					Erstellt durch
	Notes:					Erstellt durch
	Author:					Erstellt durch
	Check:					Erstellt durch
	Drawn:					Erstellt durch
	Scale:					Erstellt durch
	Material:					Erstellt durch
	Color:					Erstellt durch
	Notes:					Erstellt durch
	Author:					Erstellt durch
	Check:					Erstellt durch
	Drawn:					Erstellt durch
	Scale:					Erstellt durch
	Material:					Erstellt durch
	Color:					Erstellt durch
	Notes:					Erstellt durch
	Author:					Erstellt durch
	Check:					Erstellt durch
	Drawn:					Erstellt durch
	Scale:					Erstellt durch
	Material:					Erstellt durch
	Color:					Erstellt durch
	Notes:					Erstellt durch
	Author:					Erstellt durch
	Check:					Erstellt durch
	Drawn:					Erstellt durch
	Scale:					Erstellt durch
	Material:					Erstellt durch
	Color:					Erstellt durch
	Notes:					Erstellt durch
	Author:					Erstellt durch
	Check:					Erstellt durch
	Drawn:					Erstellt durch
	Scale:					Erstellt durch
	Material:					Erstellt durch
	Color:					Erstellt durch
	Notes:					Erstellt durch
	Author:					Erstellt durch
	Check:					Erstellt durch
	Drawn:					Erstellt durch
	Scale:					Erstellt durch
	Material:					Erstellt durch
	Color:					Erstellt durch
	Notes:					Erstellt durch
	Author:					Erstellt durch
	Check:					Erstellt durch
	Drawn:					Erstellt durch
	Scale:					Erstellt durch
	Material:					Erstellt durch
	Color:					Erstellt durch
	Notes:					Erstellt durch
	Author:					Erstellt durch
	Check:					Erstellt durch
	Drawn:					Erstellt durch
	Scale:					Erstellt durch
	Material:					Erstellt durch
	Color:					Erstellt durch
	Notes:					Erstellt durch
	Author:					Erstellt durch
	Check:					Erstellt durch
	Drawn:					Erstellt durch
	Scale:					Erstellt durch
	Material:					Erstellt durch
	Color:					Erstellt durch
	Notes:					Erstellt durch
	Author:					Erstellt durch
	Check:					Erstellt durch
	Drawn:					Erstellt durch
	Scale:					Erstellt durch
	Material:					Erstellt durch
	Color:					Erstellt durch
	Notes:					Erstellt durch
	Author:					Erstellt durch
	Check:					Erstellt durch
	Drawn:					Erstellt durch
	Scale:					Erstellt durch
	Material:					Erstellt durch
	Color:					Erstellt durch
	Notes:					Erstellt durch
	Author:					Erstellt durch
	Check:					Erstellt durch
	Drawn:					Erstellt durch
	Scale:					Erstellt durch
	Material:					Erstellt durch
	Color:					Erstellt durch
	Notes:					Erstellt durch
	Author:					Erstellt durch
	Check:					Erstellt durch
	Drawn:					Erstellt durch
	Scale:					Erstellt durch
	Material:					Erstellt durch
	Color:					Erstellt durch
	Notes:					Erstellt durch
	Author:					Erstellt durch
	Check:					Erstellt durch
	Drawn:					Erstellt durch
	Scale:					Erstellt durch
	Material:					Erstellt durch
	Color:					Erstellt durch
	Notes:					Erstellt durch
	Author:					Erstellt durch
	Check:					Erstellt durch
	Drawn:					Erstellt durch
	Scale:					Erstellt durch
	Material:					Erstellt durch
	Color:					Erstellt durch
	Notes:					Erstellt durch
	Author:					Erstellt durch
	Check:					Erstellt durch
	Drawn:					Erstellt durch
	Scale:					Erstellt durch
	Material:					Erstellt durch
	Color:					Erstellt durch
	Notes:					Erstellt durch
	Author:					Erstellt durch
	Check:					Erstellt durch
	Drawn:					Erstellt durch
	Scale:					Erstellt durch
	Material:					Erstellt durch
	Color:					Erstellt durch
	Notes:					Erstellt durch
	Author:					Erstellt durch
	Check:					Erstellt durch
	Drawn:					Erstellt durch
	Scale:					Erstellt durch
	Material:					Erstellt durch
	Color:					Erstellt durch
	Notes:					Erstellt durch
	Author:					Erstellt durch
	Check:					Erstellt durch
	Drawn:					Erstellt durch
	Scale:					Erstellt durch
	Material:					Erstellt durch
	Color:					Erstellt durch
	Notes:					Erstellt durch
	Author:					Erstellt durch
	Check:					Erstellt durch
	Drawn:					Erstellt durch
	Scale:					Erstellt durch
	Material:					Erstellt durch
	Color:					Erstellt durch
	Notes:					Erstellt durch
	Author:					Erstellt durch
	Check:					Erstellt durch
	Drawn:					Erstellt durch
	Scale:					Erstellt durch
	Material:					Erstellt durch
	Color:					Erstellt durch
	Notes:					Erstellt durch
	Author:					Erstellt durch
	Check:					Erstellt durch
	Drawn:					Erstellt durch
	Scale:					Erstellt durch
	Material:					Erstellt durch
	Color:					Erstellt durch
	Notes:					Erstellt durch
	Author:					Erstellt durch
	Check:					Erstellt durch
	Drawn:					Erstellt durch
	Scale:					Erstellt durch
	Material:					Erstellt durch
	Color:					Erstellt durch
	Notes:					Erstellt durch
	Author:					Erstellt durch
	Check:					Erstellt durch
	Drawn:					Erstellt durch
	Scale:					Erstellt durch
	Material:					Erstellt durch
	Color:					Erstellt durch
	Notes:					Erstellt durch
	Author:					Erstellt durch

Part no.	RIF	Description	Specification	Quantity
FS2.0116		Group	Group carriage FS230 Complete	1
FS2.1044	1	Carriage	PAINTED SPOOL HOLDER CARRIAGE	1
N7.2206	2	Metal ring	BLOCKING RING DIN 705 SHAPE C D. 18	1
FS2.1045	3	Bracket	HARMONIC STEEL PLATE SPOOL HOLDER LOCKER	2
FS2.1046	4	Holder	SPOOL HOLDER FLANGE	1
FS2.1039	5	Holder	SPOOL GUIDE ROLLER	1
N2.5256	6	Spring	SPOOL HOLDER SPRING	1
N1.6325	7	Distance	SPACER RING SHAPE PS 18 X 25 X 1	1
N2.1112	8	Retaining ring	ELASTIC RING DIN 471 D.17	2
FS2.1038	9	Roller	IDLE ROLLER DIAM.30/8 8.0.2. T=595 L=600 E=612	2
FS2.1156	10	Brake	BRAKE SYSTEM FS23X SERIES	1
N1.1119	11	Bolt	CYLINDRICAL HEAD SCREW UNI 5931 - M8 x 16	2
N1.1702	12	Screw	Screw M4 x 16 Aurofil. UNI 6956	4
N11.1135	13	Screw	CYLINDRICAL HEAD CAP SCREWS DIN 912 M6 x 12	1
FS2.1078	14	Bracket	FILM ECCENTRIC HOOK REV.01	1
N4.1921	15	Bracket	HANDLE ART.137-50 A30 L10 D20 M8 H90	1
N1.7117	16	Excenter screw	EXCENTER SCREW 8x25 M6	1
FS2.1079	17	Distance	SPOOL CARRIAGE FRAME SPACER	2
FS2.1076	18	Plate subassembly	FOOT PROTECT CASING	1
N42.9157	19	Label	FILM STICKER YELLOW / BLACK FS210 / FS230 / FS250	1
N5.2635	20	Photoelectric sensor	REFLEX PHOTOCELL UP TO 2Mt RX8/001A DI-ELL	1
N51.2115	21	Connector	PHOTOCELL CONNETOR CD 12M/OB-020C1	1
N5.2345	22	Limit switch	LIMIT SWITCH ERSCH E700-ASLM	1
N1.6114	23	Washer	PLAIN WASHER DIN 125 - 6,4 x 12,5	2
N11.1143	24	Screw	CYLINDRICAL HEAD CAP SCREWS DIN 912 M6 x 20	2
N1.6169	25	Washer	PLAIN WASHER DIN 125 - 6,4 x 18	1
N1.6161	26	Washer	PLAIN WASHER M10 DIN 125	2
N1.6201	27	Washer	SPLIT WASHER GROWER M10 ZINCED DIN 127- B -	2
N1.1555	28	Bolt	HEXAGON HEAD BOLT M10x100 ZINCED DIN931	2
N1.5307	29	Nut	PREVAILING HEXAGON TORQUE/NON METALIC INSERT M4 DIN985	3
N1.6115	30	Washer	PLAIN WASHER M4 DIN 125	6
N1.1420	31	Screw	HEXAGON HEAD BOLT M4x35 ZINCED DIN933	3
N1.6337	32	Washer	WASHER "PS" 17x24x0.5	1
FS2.1043	33	Roller	RUBBERED ROLLER FILM BRAKE	1
N1.5124	34	Nut	NUT CL. 8 PG UNI 5588/65 DIN 934 M4 GALVANIZED	3

Part no.	RIF	Description	Specification	Quantity
FS2.1156		Group	Brake system FS230 Complete	1
FS2.1040	1	Spring	FILM BRAKE SPRING	1
FS2.1041	2	Bracket	KNOB SUPPORT	1
FS2.1042	3	Brake	RUBBERED ROLLER BRAKE STOPPER (REV.01)	1
FS2.1077	4	Bracket	CARRIAGE ROLLER LOCK BRACKET 101	1
N11.1173	5	Screw	CYLINDRICAL HEAD CAP SCREW M8 x 25 DIN 912 ZINCED	2
N1.1433	6	Bolt	HEXAGON HEAD SCREW DIN 933 - M8 x 90	1
N1.5106	7	Nut	NUT DIN 934 - M8	1
N1.6174	8	Washer	PLAIN WASHER DIN 9021 - 8,4 x 24	1
N1.6164	9	Washer	PLAIN WASHER M8 DIN 125A ZINCED	1
N4.2602	10	Wheel	HAND-WHEEL TREAD M8	1
N1.6114	11	Washer	PLAIN WASHER M8 DIN 125A ZINCED	2
N1.5301	12	Nut	NUT DIN 985 - M6	2
N1.3138	13	Bolt	BOLT M6x25 DIN 913	2

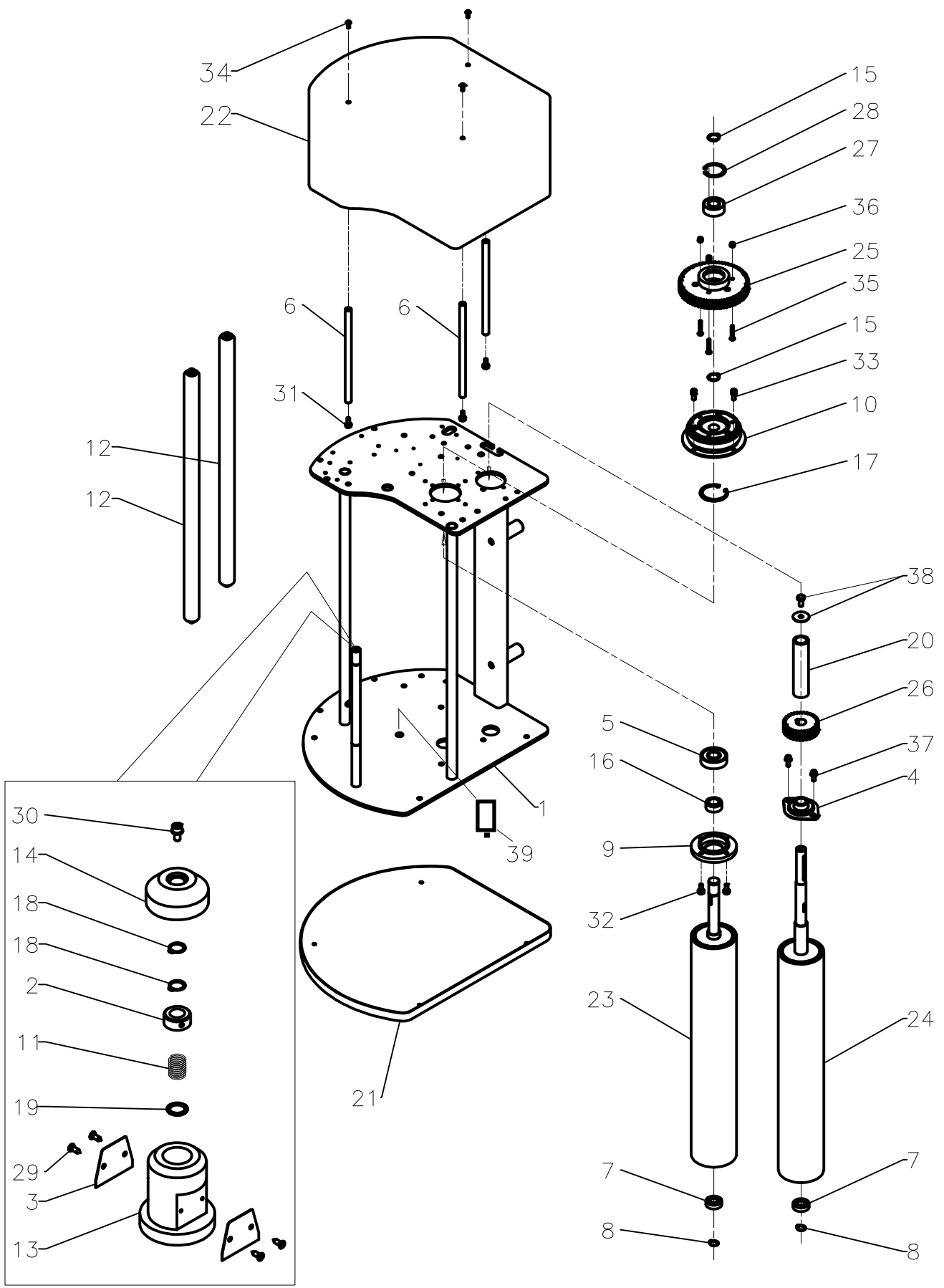


Carriage FS 250

FROMM

Carriage FS250

FROMM	RIF	Description	Specification	Quantity
FS2.1089	1	Carriage	PAINTED SPOOL HOLDER CARRIAGE	1
N7.2206	2	Metal ring	SET COLLAR DIN 705 SHAPE C D.18	1
FS2.1045	3	Bracket	HARMONIC STEEL PLATE SPOOL HOLDER LOCKER	2
FS2.1091	4	Disk	PRESTRETCH BRAKE FLANGE	1
N31.1109	5	Ball bearing	BALLBEARING 6304 2RS 20X52X15	1
FS2.1085	6	Bracket	PRESTRETCH CARRIAGE CASING TUBE SPACER	3
N3.1102	7	Ball bearing	BALLBEARING 6002 2RS 15X32X9	1
N2.1103	8	Retaining ring	ELASTIC RING DIN 471 D.15	1
FS2.1090	9	Ball bearing	BALLBEARING FLANGE (REV.01)	1
N4.7716	10	Brake	ELECTROMAGNETIC CLUTCH D. 100	1
FS2.1037	11	Spring	SPOOL HOLDER SPRING	1
FS2.1038	12	Roller	IDLE ROLLER DIAM.30/8 8.0.2. T=595 L=600 E=612	1
FS2.1046	13	Holder	SPOOL HOLDER FLANGE	1
FS2.1039	14	Holder	SPOOL GUIDE ROLLER	1
N2.1108	15	Retaining ring	ELASTIC RING DIN 471 D.20	1
N7.2209	16	Metal ring	SET COLLAR DIN 705 SHAPE C DIAM.20	1
N2.1217	17	Retaining ring	ELASTIC RING DIN 472 D.52	1
N2.1112	18	Retaining ring	ELASTIC RING DIN 471 D.17	2
N1.6325	19	Distance	SPACER RING SHAPE PS 18X25X1	1
FS2.1092	20	Plate	CLUTCH FLANGE PLATE (REV.01)	1
FS2.1086	21	Plate	LOWER CASING SPOOL HOLDER	1
FS2.1087	22	Cover	UPPER CASING SPOOL HOLDER	1
FS2.1088	23	Feeding roller	SLOW RUBBERED ROLLER	1
N1.1702	24	SCREW	SCREW M4x16	4
N11.1135	25	SCREW	HEXAGON SOCKET HEAD CAP SCREWS M6x12	1
N1.6114	25	Washer	WASHER 6,4x12,5x1,6	1
N1.1565	26	SCREW	HEXAGON SCREW M6x20	3
N1.6114	26	Washer	WASHER 6,4x12,5x1,6	3
N1.1520	27	SCREW	HEXAGON SCREW M6x16	2
N1.6114	27	Washer	WASHER 6,4x12,5x1,6	2
N11.1135	28	SCREW	HEXAGON SOCKET HEAD CAP SCREWS M6x12	2
N1.6114	28	Washer	WASHER 6,4x12,5x1,6	2
N1.1130	29	SCREW	HEXAGON SOCKET HEAD CAP SCREWS M5x35 ISO 4762	3
N1.1533	30	SCREW	HEXAGON SCREW M8x90	2
N1.6164	31	Washer	WASHER 8,4x17	2
N1.5106	32	Nut	NUT M8	2
N1.5305	33	Nut	RETAINING NUT M8	2
N1.1219	34	SCREW	HEXAGON SOCKET HEAD CAP SCREWS M5x35 ISO 4762	3
N1.5302	35	Nut	RETAINING NUT M5	3
N5.2345	36	Limit switch	LIMIT SWITCH ERSCH E700-ASLM	1
N2.3325		Key	KEY UNI 6604 6x6x20	1
N5.2635		Photoelectric sensor	REFLEX PHOTOCELL UP TO 2Mt RX8/001A DI-ELL	1
N51.2115		Connector	PHOTOCELL CONNETOR CD 12M/OB-020C1	1
N42.9157		Label	FILM STICKER FS 250	1



Carriage FS 270 Incl.16.8240

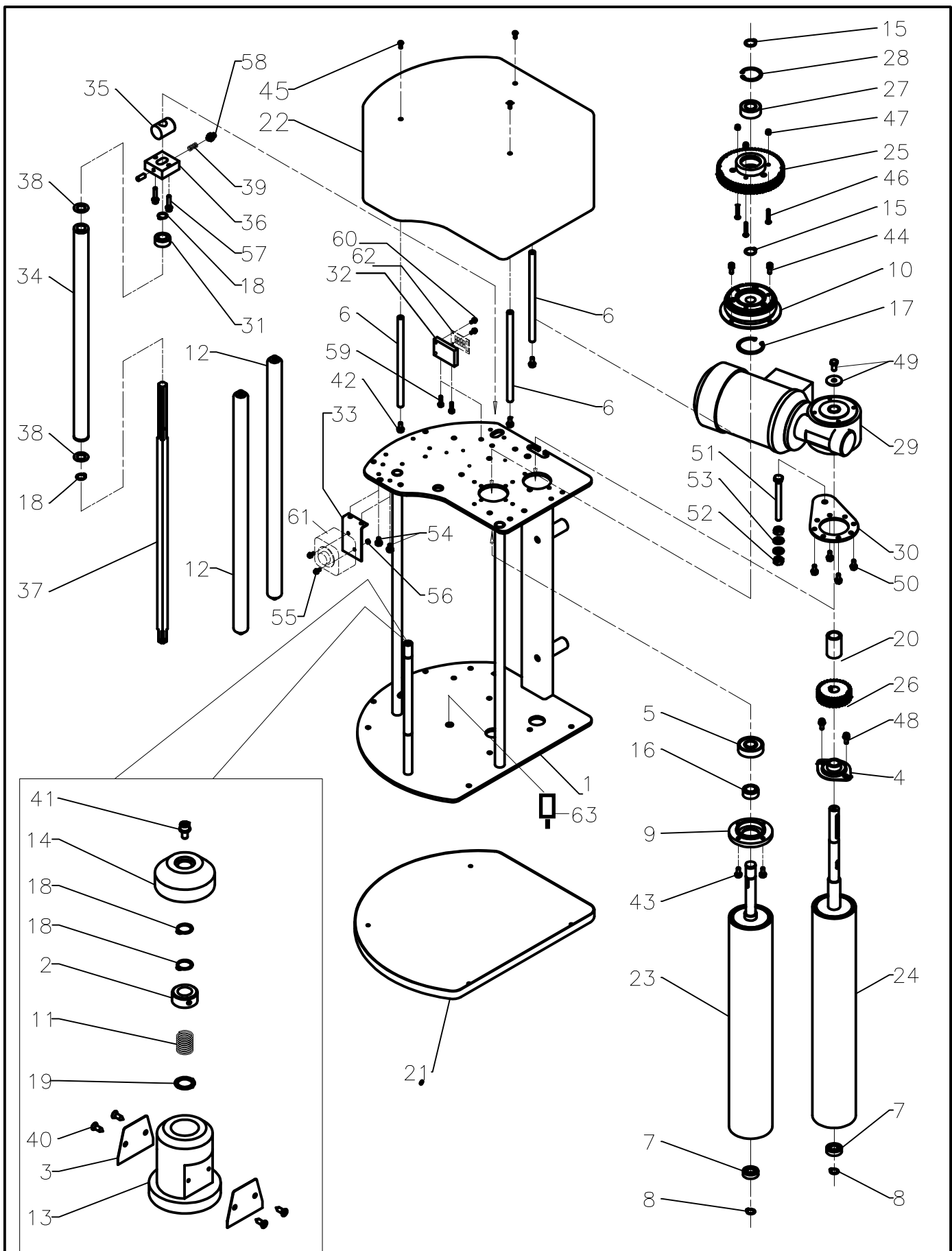
FROMM

Carriage FS270

FROMM	RIF	Description	Specification	Quantity
FS2.1089	1	Carriage	PAINTED SPOOL HOLDER CARRIAGE	1
N7.2206	2	Metal ring	SET COLLAR DIN 705 SHAPE C D.18	1
FS2.1045	3	Bracket	HARMONIC STEEL PLATE SPOOL HOLDER LOCKER	2
FS2.1137	4	Ball bearing	SWINGING SUPPORT SPBFL 204	1
N31.1109	5	Ball bearing	BALLBEARING 6304 2RS 20X52X15	1
FS2.1085	6	Bracket	PRESTRETCH CARRIAGE CASING TUBE SPACER	3
N3.1102	7	Ball bearing	BALLBEARING 6002 2RS 15X32X9	2
N2.1103	8	Retaining ring	ELASTIC RING DIN 471 D.15	2
FS2.1090	9	Ball bearing	BALLBEARING FLANGE (REV.01)	1
N4.7716	10	Brake	ELECTROMAGNETIC CLUTCH D. 100	1
FS2.1037	11	Spring	SPOOL HOLDER SPRING	1
FS2.1038	12	Roller	IDLE ROLLER DIAM.30/8 8.0.2. T=595 L=600 E=612	2
FS2.1046	13	Holder	SPOOL HOLDER FLANGE	1
FS2.1039	14	Holder	SPOOL GUIDE ROLLER	1
N2.1108	15	Retaining ring	ELASTIC RING DIN 471 D.20	2
N7.2209	16	Metal ring	SET COLLAR DIN 705 SHAPE C DIAM.20	1
N2.1217	17	Retaining ring	ELASTIC RING DIN 472 D.52	1
N2.1112	18	Retaining ring	ELASTIC RING DIN 471 D.17	2
N1.6325	19	Distance	SPACER RING SHAPE PS 18X25X1	1
FS2.1094	20	Distance	PRESTRETCH ROLLER SPACER 300	1
FS2.1086	21	Plate	LOWER CASING SPOOL HOLDER	1
FS2.1087	22	Cover	UPPER CASING SPOOL HOLDER	1
FS2.1088	23	Feeding roller	SLOW RUBBERED ROLLER	1
FS2.1095	24	Feeding roller	RUBBERED FAST ROLLER	1
FS2.1125	25	Gear 150%	SLOW ROLLER WHEEL Z28	1
FS2.1126	26	Gear 150%	FAST ROLLER WHEEL Z72	1
N31.1110	27	Ball bearing	BALLBEARING 63004 2RS 20X42X16	1
N2.1222	28	Retaining ring	ELASTIC RING I DIN 472 D.42	1
N1.1702	29	Screw	SCREW M4x16	4
N11.1135	30	Screw	HEXAGON SOCKET HEAD CAP SCREWS M6x12	1
N1.6114	30	Washer	WASHER 6,4x12,5x1,6	1
N1.1565	31	Screw	HEXAGON SCREW M6x20	3
N1.6114	31	Washer	WASHER 6,4x12,5x1,6	3
N1.1520	32	Screw	HEXAGON SCREW M6x16	2
N1.6114	32	Washer	WASHER 6,4x12,5x1,6	2
N11.1135	33	Screw	HEXAGON SOCKET HEAD CAP SCREWS M6x12	2
N1.6114	33	Washer	WASHER 6,4x12,5x1,6	2
N1.1219	34	Screw	HEXAGON SOCKET HEAD CAP SCREWS M6x12 ISO 4762	3
N11.1175	35	Screw	HEXAGON SOCKET HEAD CAP SCREWS M5x30 ISO 4762	3
N1.5302	36	Nut	RETAINING NUT M5	3
N1.1125	37	Screw	HEXAGON SOCKET HEAD CAP SCREWS M6x16	2
N1.6114	37	Washer	WASHER 6,4x12,5x1,6	2
N1.1507	38	Screw	HEXAGON SCREW M8x16	1
N5.2345	39	Limit switch	LIMIT SWITCH ERSCH E700-ASLM	1
N2.3325		Key	KEY UNI 6604 6x6x20	1
N5.2635		Photoelectric sensor	REFLEX PHOTOCELL UP TO 2Mt RX8/001A DI-ELL	1
N51.2115		Connector	PHOTOCELL CONNETOR CD 12M/OB-020C1	1
N42.9158		Label	FILM STICKER YELLOW / BLACK FS270	1

Carriage FS270**Options**

FROMM	RIF	Description	Specification	Quantity
FS2.1122	25	Gear 50%	FAST ROLLER WHEEL Z60	1
FS2.1121	26	Gear 50%	SLOW ROLLER WHEEL Z40	1
FS2.1124	25	Gear 100%	FAST ROLLER WHEEL Z67	1
FS2.1123	26	Gear 100%	SLOW ROLLER WHEEL Z33	1
FS2.1128	25	Gear 200%	FAST ROLLER WHEEL Z75	1
FS2.1127	26	Gear 200%	SLOW ROLLER WHEEL Z25	1



Carriage FS 270 Incl.16.8242

FROMM

Carriage FS270+

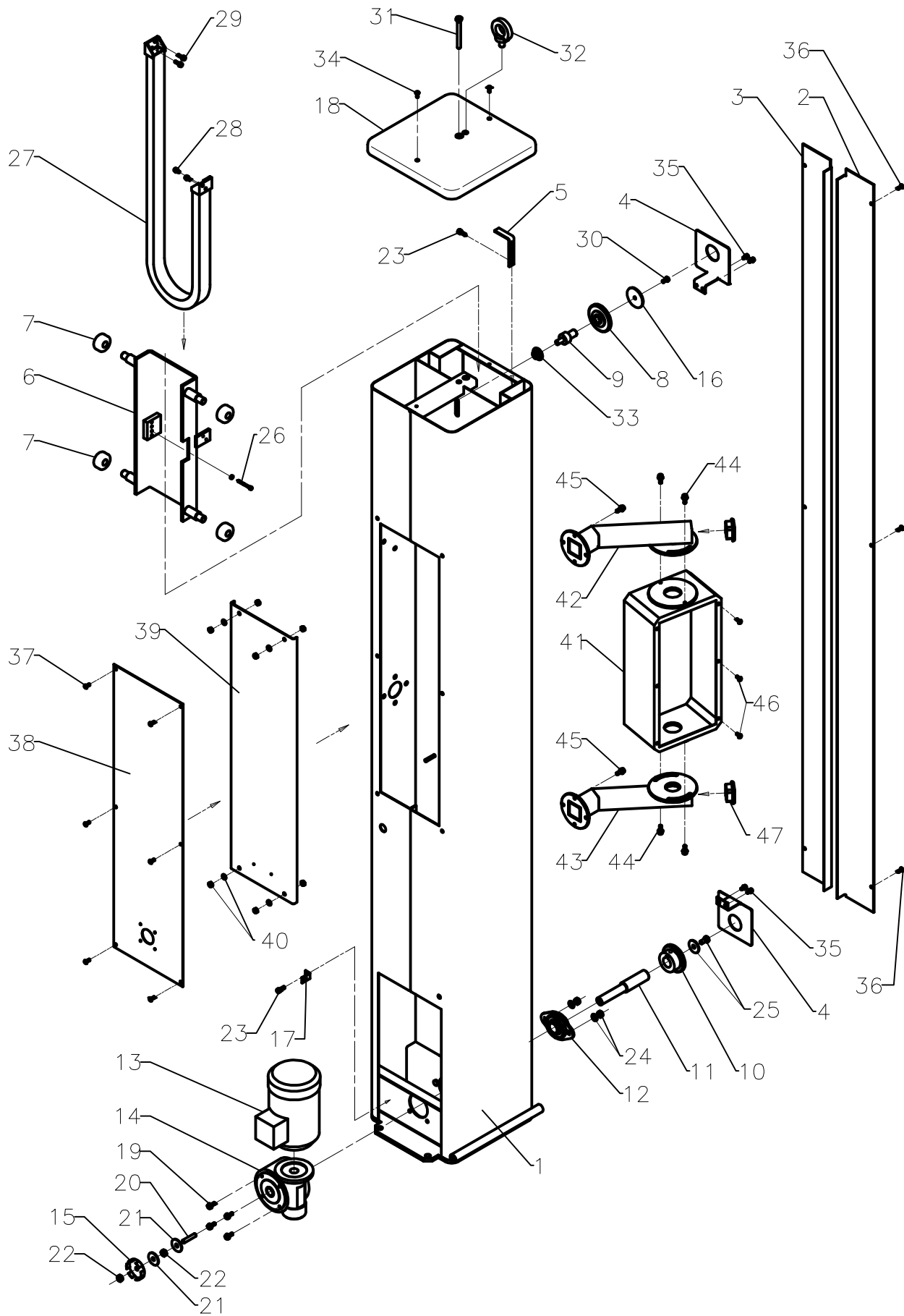
FROMM	RIF	Description	Specification	Quantity
FS2.1089	1	Carriage	PAINTED SPOOL HOLDER CARRIAGE	1
N7.2206	2	Metal ring	SET COLLAR DIN 705 SHAPE C D.18	1
FS2.1045	3	Bracket	HARMONIC STEEL PLATE SPOOL HOLDER LOCKER	2
FS2.1137	4	Ball bearing	SWINGING SUPPORT SPBFL 204	1
N31.1109	5	Ball bearing	BALLBEARING 6304 2RS 20X52X15	1
FS2.1085	6	Bracket	PRESTRETCH CARRIAGE CASING TUBE SPACER	3
N3.1102	7	Ball bearing	BALLBEARING 6002 2RS 15X32X9	2
N2.1103	8	Retaining ring	ELASTIC RING DIN 471 D.15	2
FS2.1090	9	Ball bearing	BALLBEARING FLANGE (REV.01)	1
N4.7716	10	Brake	ELECTROMAGNETIC CLUTCH D. 100	1
FS2.1037	11	Spring	SPOOL HOLDER SPRING	1
FS2.1038	12	Roller	IDLE ROLLER DIAM.30/8 8.0.2. T=595 L=600 E=612	3
FS2.1046	13	Holder	SPOOL HOLDER FLANGE	1
FS2.1039	14	Holder	SPOOL GUIDE ROLLER	1
N2.1108	15	Retaining ring	ELASTIC RING DIN 471 D.20	2
N7.2209	16	Metal ring	SET COLLAR DIN 705 SHAPE C DIAM.20	1
N2.1217	17	Retaining ring	ELASTIC RING DIN 472 D.52	1
N2.1112	18	Retaining ring	ELASTIC RING DIN 471 D.17	2
N1.6325	19	Distance	SPACER RING SHAPE PS 18X25X1	1
FS2.1101	20	Distance	PRESTRETCH ROLLER SPACER 400	1
FS2.1101	20	Distance	PRESTRETCH MOTOR SPACER 400	1
FS2.1086	21	Plate	LOWER CASING SPOOL HOLDER	1
FS2.1087	22	Cover	UPPER CASING SPOOL HOLDER	1
FS2.1088	23	Feeding roller	SLOW RUBBERED ROLLER	1
FS2.1095	24	Feeding roller	RUBBERED FAST ROLLER	1
FS2.1125	25	Gear 150%	SLOW ROLLER WHEEL Z28	1
FS2.1126	26	Gear 150%	FAST ROLLER WHEEL Z72	1
N31.1110	27	Ball bearing	BALLBEARING 63004 2RS 20X42X16	1
N2.1222	28	Retaining ring	ELASTIC RING I DIN 472 D.42	1
FS2.1138	29	Motor	GEARBOX R.1/10 KW0,37/4/B14/N PRESTRETCH GR71	1
FS2.1139	30	Bracket	REACTION ARM	1
N31.1105	31	Ball bearing	SET COLLAR DIN 705 SHAPE C DIAM.17	1
FS2.1097	32	Control card	PRESTRETCH SENSOR PLATE (REV.1)	1
FS2.1140	32	Bracket	PANTOGRAPHED PLATE GPLY METALLEX 61X15X1,6	1
FS2.1098	33	Bracket	PRESTRETCH BUTTOM STIRRUP	1
FS2.1103	34	Swinger arm	TOUCH PRESTRETCH ROLLER	1
FS2.1099	35	Feeler tampon	PRESTRETCH BOARD PAD	1
FS2.1100	36	Bracket	TOUCH ROLLER PLATE	1
N1.6204	37	Lock washer	SPRING LOCK WASHER M6 6,1x11,8x1,6	2
FS2.1104	37	Swinger arm	TOUCH ROLLER PIVOT	1
N3.4311	38	Distance	THRUSH BLOCK AS 1730	2
FS2.1102	39	Spring	PRESTRETCH ROLLER SPRING	1
N1.1702	40	Screw	SCREW M4x16	4
N11.1135	41	Screw	HEXAGON SOCKET HEAD CAP SCREWS M6x12	1
N1.6114	41	Washer	WASHER 6,4x12,5x1,6	1
N1.1565	42	Screw	HEXAGON SCREW M6x20	3
N1.6114	42	Washer	WASHER 6,4x12,5x1,6	3
N1.1520	43	Screw	HEXAGON SCREW M6x16	2
N1.6114	43	Washer	WASHER 6,4x12,5x1,6	2
N11.1135	44	Screw	HEXAGON SOCKET HEAD CAP SCREWS M6x12	2
N1.6114	44	Washer	WASHER 6,4x12,5x1,6	2
N1.1219	45	Screw	HEXAGON SOCKET HEAD CAP SCREWS M5x35 ISO 4762	3
N11.1175	46	Screw	HEXAGON SOCKET HEAD CAP SCREWS M5x30 ISO 4762	3
N1.5302	47	Nut	RETAINING NUT M5	3
N11.1142	48	Screw	HEXAGON SOCKET HEAD CAP SCREWS M6x16	2

Carriage FS270+

N1.6114	48	Washer	WASHER 6,4x12,5x1,6	2
N1.1507	49	Screw	HEXAGON SCREW M8x16	1
N1.6176	49	Washer	WASHER 8,4x35x1,5	1
N1.1520	50	Screw	HEXAGON SCREW M6x16	4
N1.6114	50	Washer	WASHER 6,4x12,5x1,6	4
N1.1431	51	Screw	HEXAGON SCREW M10x120	2
N1.5108	52	Bolt	BOLT M10	1
N1.6102	53	Washer	WASHER 10,5x21	2
N1.1573	54	Screw	HEXAGON SCREW M6x12	2
N1.6114	54	Washer	WASHER 6,4x12,5x1,6	2
N1.1196	55	Screw	HEXAGON SOCKET HEAD CAP SCREWS M4x16	2
N1.6115	55	Washer	WASHER 4,3x9	2
N1.5124	56	Bolt	BOLT M4	1
N11.1123	57	Screw	HEXAGON SOCKET HEAD CAP SCREWS M6x30	2
N1.6114	57	Washer	WASHER 6,4x12,5	2
N1.3101	58	Screw	SCREW M8x20	1
N1.5106	58	Bolt	BOLT M8	1
N1.1112	59	Screw	HEXAGON SOCKET HEAD CAP SCREWS M4x20	2
N1.6114	59	Washer	WASHER 6,4x12,5	2
N1.1520	60	Screw	HEXAGON SCREW M6x16	2
N51.2258	61	Button	BLACK BUTTON D.22 XB7EA21 TELEM.	1
FS2.1141	61	Box	BUTTON BOX 1 HOLE D.22 PT22-1H BRETER	1
FS2.1105	62	Control card	PRESTRETCH BOARD PCB349	1
N5.2345	63	Limit switch	LIMIT SWITCH ERSCH E700-ASLM	1
N5.2635		Photoelectric sensor	REFLEX PHOTOCELL UP TO 2Mt RX8/001A DI-ELL	1
N51.2115		Connector	PHOTOCELL CONNETOR CD 12M/OB-020C1	1
N2.3359		Key	KEY UNI 6604 6X6X20	1
N2.3325		Key	KEY UNI 6604 6x6x20	1
N42.9159		Label	FILM STICKER YELLOW / BLACK FS270	1

Options

FROMM	RIF	Description	Specification	Quantity
FS2.1122	25	Gear 50%	FAST ROLLER WHEEL Z60	1
FS2.1121	26	Gear 50%	SLOW ROLLER WHEEL Z40	1
FS2.1124	25	Gear 100%	FAST ROLLER WHEEL Z67	1
FS2.1123	26	Gear 100%	SLOW ROLLER WHEEL Z33	1
FS2.1128	25	Gear 200%	FAST ROLLER WHEEL Z75	1
FS2.1127	26	Gear 200%	SLOW ROLLER WHEEL Z25	1



FROMM

Mast FS210 – FS230 Height 2500mm

Part no.	RIF	Description	Specification	Quantity
FS2.1024	1	Mast	PAINTED GARRIAGE GUIDE MAST H=2500	1
FS2.1022	2	Cover	PAINTED CASING LEFT H=2500	1
FS2.1025	3	Cover	PAINTED CASING RIGHT H=2500	1
FS2.1023	4	Cover	PAINTED CARRIAGE CHAIN PROTECTION CASING	2
FS2.1021	5	Bracket	PAINTED CARRIAGE LIMIT CAM	2
FS2.1020	6	Carriage	PAINTED SPOOL CARRIAGE	1
FS2.1016	7	Roller	WHEEL FOR CARRIAGE GUIDE	4
N4.7243	8	Chain wheel	CHAIN REGULATOR 1/2 Z 16	1
FS2.1012	9	Shaft	PIVOT FOR CHAIN REGULATOR	1
FS2.1013	10	Chain wheel	MOTOR PIGNON P.1/2X5/16 Z16	1
FS2.1014	11	Shaft	MOTOR SHAFT	1
FS2.1135	12	Ball bearing	SWINGING SUPPORT SPBFL 205	1
N5.1174	13	Motor	MOTOR MT 63 KW0,22/4/B14/IP55 230-400V	1
N4.7620	14	Wormgear	GEARBOX VSF RMI 40 FL-R.1/100 PAM63 B14	1
FS2.1017	16	Washer	PINION WASHER	1
FS2.1018	17	Bracket	SENSOR STIRRUP	1
FS2.1019	18	Plastic cover	CASING OF BLUE SHAFT	1
N1.1520	19	Screw	HEXAGON SCREW M6x16	4
N1.6114	19	Washer	WASHER 6,4x12,5x1,6	4
N1.3145	20	Bolt	Bolt M8x40	1
N1.6176	21	Washer	WASHER 8,4x35x1,5	1
N11.1142	23	Screw	HEXAGON SOCKET HEAD CAP SCREWS M6x16	2
N1.6114	23	Washer	WASHER 6,4x12,5x1,6	2
N1.5106	24	Nut	NUT M8	2
N1.6164	24	Washer	WASHER 8,4x17x1,6	2
N1.1507	25	Screw	HEXAGON SCREW M8x16	1
N1.6176	25	Washer	WASHER 8,4x35x1,5	1
N11.1174	26	Screw	HEXAGON SOCKET HEAD CAP SCREWS M4x30	4
N1.5307	26	Nut	PREVAILING HEXAGON TORQUE / NON METALIC INSERT M4	4
N5.3739	27	Bracket	SUPPORT FOR CABLE CHAIN 1025.12P (VALID UNTIL 26/10/06)	1
N5.3759	27	Bracket	SUPPORT FOR CABLE CHAIN 080.30.12(VALID FROM 27/10/06)	1
N5.3738	27	Cabel chain	CABLE CHAIN MAST 2400 MM 1528 (VALID UNTIL 26/10/06)	1
N5.3758	27	Cabel chain	CABLE CHAIN MAST 2400 MM 1528 (VALID FROM 27/10/06)	1
N11.1118	28	Screw	HEXAGON SOCKET HEAD CAP SCREWS M5x10	2
N1.6103	28	Washer	WASHER 5,3x10	2
N11.1147	29	Screw	HEXAGON SOCKET HEAD CAP SCREWS M5x16	2
N1.6103	29	Washer	WASHER 5,3x10	2
N1.1507	30	Screw	HEXAGON SCREW M8x16	1
N1.1433	31	Screw	HEXAGON SCREW M8x90	2
N1.4404	32	Eye bolt	LIFTING EYE BOLTS M12	1
N1.5108	33	Nut	NUT M10	1
N1.6168	33	Washer	WASHER 10,5x30x2,5	1
N1.1209	34	Screw	HEXAGON SOCKET BOTTON HEAD M5x12 ISO 7380	2
N11.1101	35	Screw	HEXAGON SOCKET HEAD CAP SCREWS M5x12	4
N1.6103	35	Washer	WASHER 5,3x10	4
N1.1209	36	Screw	HEXAGON SOCKET BOTTON HEAD M5x12 ISO 7380	6
N1.1209	37	Screw	HEXAGON SOCKET BOTTON HEAD M5x12 ISO 7380	6
FS2.1029	38	Cover	PAINTED SWITCH CABINET CLOSED PLATE	1
FS2.1050	39	Plate	ELECTRICAL COMPONETS PLATE	1

Mast FS210 – FS230 Height 2500mm

N1.5102	40	Nut	NUT M6	8
N1.6114	40	Washer	WASHER 6,4x12,5	8
FS2.1026	41	Control panel	PAINTED SWITCH CABINET	1
FS2.1027	42	Bracket	PAINTED SWITCH CABINET SUPPORT LEFT	1
FS2.1028	43	Bracket	PAINTED SWITCH CABINET SUPPORT RIGHT	1
N11.1142	44	Screw	HEXAGON SOCKET HEAD CAP SCREWS M6x16	4
N1.6169	44	Washer	WASHER 6,6x18	4
N11.1143	45	Screw	HEXAGON SOCKET HEAD CAP SCREWS M6x20	8
N1.6114	45	Washer	WASHER 6,4x12,5	8
N1.1209	46	Screw	HEXAGON SOCKET BOTTON HEAD M5x12 ISO 7380	6
FS2.1136	47	Plastic cover	PLASTIC COVER	2
N4.7348		Chain	CHAIN 1/2X5/16 P.400 CLASSED (H=2500 2V)	1
N2.3314		Key	KEY UNI 6604 8X7X25	1
N2.3359		Key	KEY UNI 6604 6X6X60	1
N3.4307		Distance	THRUSH BLOCK AS 1528	1
N42.9161		Label	STICKER FROMM 820 x 143 mm RAL 2002 RED	1
N41.9156		Label	IDENTIFICATION PLATE FROMM	1

Mast FS210 – FS230 Height 2800mm

Part no.	RIF	Description	Specification	Quantity
FS2.1031	1	Mast	PAINTED GARRIAGE GUIDE MAST H=2800	1
FS2.1030	2	Cover	PAINTED CASING LEFT H=2800	1
FS2.1032	3	Cover	PAINTED CASING RIGHT H=2800	1
FS2.1023	4	Cover	PAINTED CARRIAGE CHAIN PROTECTION CASING	2
FS2.1021	5	Bracket	PAINTED CARRIAGE LIMIT CAM	2
FS2.1020	6	Carriage	PAINTED SPOOL CARRIAGE	1
FS2.1016	7	Roller	WHEEL FOR CARRIAGE GUIDE	4
N4.7243	8	Chain wheel	CHAIN REGULATOR 1/2 Z 16	1
FS2.1012	9	Shaft	PIVOT FOR CHAIN REGULATOR	1
FS2.1013	10	Chain wheel	MOTOR PIGNON P. 1/2X5/16 Z16	1
FS2.1014	11	Shaft	MOTOR SHAFT	1
FS2.1135	12	Ball bearing	SWINGING SUPPORT SPBFL 205	1
N5.1174	13	Motor	MOTOR MT 63 KW0,22/4/B14/IP55 230-400V	1
N4.7620	14	Wormgear	GEARBOX VSF RMI 40 FL-R.1/100 PAM63 B14	1
FS2.1017	16	Washer	PINION WASHER	1
FS2.1018	17	Bracket	SENSOR STIRRUP	1
FS2.1019	18	Plastic cover	CASING OF BLUE SHAFT	1
N1.1520	19	Screw	HEXAGON SCREW M6x16	4
N1.6114	19	Washer	WASHER 6,4x12,5x1,6	4
N1.3145	20	Bolt	Bolt M8x40	1
N1.6176	21	Washer	WASHER 8,4x35x1,5	1
N11.1142	23	Screw	HEXAGON SOCKET HEAD CAP SCREWS M6x16	2
N1.6114	23	Washer	WASHER 6,4x12,5x1,6	2
N1.5106	24	Nut	NUT M8	2
N1.6164	24	Washer	WASHER 8,4x17x1,6	2
N1.1507	25	Screw	HEXAGON SCREW M8x16	1
N1.6176	25	Washer	WASHER 8,4x35x1,5	1
N11.1174	26	Screw	HEXAGON SOCKET HEAD CAP SCREWS M4x30	4
N1.5307	26	Nut	PREVAILING HEXAGON TORQUE / NON METALIC INSERT M4	4
N5.3739	27	Bracket	SUPPORT FOR CABLE CHAIN MODEL 1025.12P	1
N11.1118	28	Screw	HEXAGON SOCKET HEAD CAP SCREWS M5x10	2
N1.6103	28	Washer	WASHER 5,3x10	2
N11.1147	29	Screw	HEXAGON SOCKET HEAD CAP SCREWS M5x16	2
N1.6103	29	Washer	WASHER 5,3x10	2
N1.1507	30	Screw	HEXAGON SCREW M8x16	1
N1.1433	31	Screw	HEXAGON SCREW M8x90	2
N1.4404	32	Eye bolt	LIFTING EYE BOLTS M12	1
N1.5108	33	Nut	NUT M10	1
N1.6168	33	Washer	WASHER 10,5x30x2,5	1
N1.1209	34	Screw	HEXAGON SOCKET BOTTON HEAD M5x12 ISO 7380	2
N11.1101	35	Screw	HEXAGON SOCKET HEAD CAP SCREWS M5x12	4
N1.6103	35	Washer	WASHER 5,3x10	4
N1.1209	36	Screw	HEXAGON SOCKET BOTTON HEAD M5x12 ISO 7380	6
N1.1209	37	Screw	HEXAGON SOCKET BOTTON HEAD M5x12 ISO 7380	6
FS2.1029	38	Cover	PAINTED SWITCH CABINET CLOSED PLATE	1
FS2.1050	39	Plate	ELECTRICAL COMPONETS PLATE	1
N1.5102	40	Nut	NUT M6	8
N1.6114	40	Washer	WASHER 6,4x12,5	8
FS2.1026	41	Control panel	PAINTED SWITCH CABINET	1
FS2.1027	42	Bracket	PAINTED SWITCH CABINET SUPPORT LEFT	1
FS2.1028	43	Bracket	PAINTED SWITCH CABINET SUPPORT RIGHT	1
N11.1142	44	Screw	HEXAGON SOCKET HEAD CAP SCREWS M6x16	4
N1.6169	44	Washer	WASHER 6,6x18	4
N11.1143	45	Screw	HEXAGON SOCKET HEAD CAP SCREWS M6x20	8
N1.6114	45	Washer	WASHER 6,4x12,5	8

Mast FS210 – FS230 Height 2800mm

N1.1209	46	Screw	HEXAGON SOCKET BOTTON HEAD M5x12 ISO 7380	6
FS2.1136	47	Plastic cover	PLASTIC COVER	2
N4.7349		Chain	CHAIN 1/2X5/16 P.446 CLASED (H=2800 2V)	1
N2.3314		Key	KEY UNI 6604 8X7X25	1
N2.3359		Key	KEY UNI 6604 6X6X60	1
N3.4307		Distance	THRUSH BLOCK AS 1528	1
N5.3740		Cabel chain	CABLE CHAIN MOD. 10025.038.055 MAGLIE ALBERO 2800 MM 1525	1
FS2.1036		Bracket	PAINTED CABLE CHAIN SUPPORT H=3400	1
N42.9161		Label	STICKER FROMM 820 x 143 mm RAL 2002 RED	1
N41.9156		Label	IDENTIFICATION PLATE FROMM	1
FS4.1205		Label	ALARM ETIKET FS210 - 230	1

Mast FS250 – FS270 Height 2500mm

Part no.	RIF	Description	Specification	Quantity
FS2.1024	1	Mast	PAINTED GARRIAGE GUIDE MAST H=2500	1
FS2.1022	2	Cover	PAINTED CASING LEFT H=2500	1
FS2.1025	3	Cover	PAINTED CASING RIGHT H=2500	1
FS2.1023	4	Cover	PAINTED CARRIAGE CHAIN PROTECTION CASING	2
FS2.1021	5	Bracket	PAINTED CARRIAGE LIMIT CAM	2
FS2.1020	6	Carriage	PAINTED SPOOL CARRIAGE	1
FS2.1016	7	Roller	WHEEL FOR CARRIAGE GUIDE	4
N4.7243	8	Chain wheel	CHAIN REGULATOR 1/2 Z 16	1
FS2.1012	9	Shaft	PIVOT FOR CHAIN REGULATOR	1
FS2.1013	10	Chain wheel	MOTOR PIGNON P.1/2X5/16 Z16	1
FS2.1014	11	Shaft	MOTOR SHAFT	1
FS2.1135	12	Ball bearing	SWINGING SUPPORT SPBFL 205	1
N5.1174	13	Motor	MOTOR MT 63 KW0,22/4/B14/IP55 230-400V	1
N4.7621	14	Wormgear	GEARBOX VSF RMI 40 FL-R.1/80 PAM63 B14	1
FS2.1015	15	Wheel	MOTOR PHONIC WHEEL	1
FS2.1017	16	Washer	PINION WASHER	1
FS2.1018	17	Bracket	SENSOR STIRRUP	1
FS2.1019	18	Plastic cover	CASING OF BLUE SHAFT	1
N1.1520	19	Screw	HEXAGON SCREW M6x16	4
N1.6114	19	Washer	WASHER 6,4x12,5x1,6	4
N1.3216	20	Screw	HEXAGON SOCKET SET SCREW / CONE POINT M8 X 40	1
N1.6176	21	Washer	WASHER 8,4x35x1,5	2
N1.5108	22	Nut	Nut M10	2
N11.1142	23	Screw	HEXAGON SOCKET HEAD CAP SCREWS M6x16	2
N1.6114	23	Washer	WASHER 6,4x12,5x1,6	2
N1.5106	24	Nut	NUT M8	2
N1.6164	24	Washer	WASHER 8,4x17x1,6	2
N1.1507	25	Screw	HEXAGON SCREW M8x16	1
N1.6176	25	Washer	WASHER 8,4x35x1,5	1
N11.1174	26	Screw	HEXAGON SOCKET HEAD CAP SCREWS M4x30	4
N1.5307	26	Nut	PREVAILING HEXAGON TORQUE / NON METALIC INSERT M4	4
N5.3739	27	Bracket	SUPPORT FOR CABLE CHAIN 1025.12P (VALID UNTIL 26/10/06)	1
N5.3759	27	Bracket	SUPPORT FOR CABLE CHAIN 080.30.12(VALID FROM 27/10/06)	1
N5.3738	27	Cabel chain	CABLE CHAIN MAST 2400 MM 1528 (VALID UNTIL 26/10/06)	1
N5.3758	27	Cabel chain	CABLE CHAIN MAST 2400 MM 1528 (VALID FROM 27/10/06)	1
N11.1118	28	Screw	HEXAGON SOCKET HEAD CAP SCREWS M5x10	2
N1.6103	28	Washer	WASHER 5,3x10	2
N11.1147	29	Screw	HEXAGON SOCKET HEAD CAP SCREWS M5x16	2
N1.6103	29	Washer	WASHER 5,3x10	2
N1.1507	30	Screw	HEXAGON SCREW M8x16	1
N1.1433	31	Screw	HEXAGON SCREW M8x90	2
N1.4404	32	Eye bolt	LIFTING EYE BOLTS M12	1
N1.5108	33	Nut	NUT M10	1
N1.6168	33	Washer	WASHER 10,5x30x2,5	1
N1.1209	34	Screw	HEXAGON SOCKET BOTTON HEAD M5x12 ISO 7380	2
N11.1101	35	Screw	HEXAGON SOCKET HEAD CAP SCREWS M5x12	4
N1.6103	35	Washer	WASHER 5,3x10	4
N1.1209	36	Screw	HEXAGON SOCKET BOTTON HEAD M5x12 ISO 7380	6

Mast FS250 – FS270 Height 2500mm

N1.1209	37	Screw	HEXAGON SOCKET BOTTON HEAD M5x12 ISO 7380	6
FS2.1029	38	Cover	PAINTED SWITCH CABINET CLOSED PLATE	1
FS2.1050	39	Plate	ELECTRICAL COMPONETS PLATE	1
N1.5102	40	Nut	NUT M6	8
N1.6114	40	Washer	WASHER 6,4x12,5	8
FS2.1026	41	Control panel	PAINTED SWITCH CABINET	1
FS2.1027	42	Bracket	PAINTED SWITCH CABINET SUPPORT LEFT	1
FS2.1028	43	Bracket	PAINTED SWITCH CABINET SUPPORT RIGHT	1
N11.1142	44	Screw	HEXAGON SOCKET HEAD CAP SCREWS M6x16	4
N1.6169	44	Washer	WASHER 6,6x18	4
N11.1143	45	Screw	HEXAGON SOCKET HEAD CAP SCREWS M6x20	8
N1.6114	45	Washer	WASHER 6,4x12,5	8
N1.1209	46	Screw	HEXAGON SOCKET BOTTON HEAD M5x12 ISO 7380	6
FS2.1136	47	Plastic cover	PLASTIC COVER	2
N4.7348		Chain	CHAIN 1/2X5/16 P.400 CLASED (H=2500 2V)	1
N2.3314		Key	KEY UNI 6604 8X7X25	1
N2.3359		Key	KEY UNI 6604 6X6X60	1
N3.4307		Distance	THRUSH BLOCK AS 1528	1
N42.9161		Label	STICKER FROMM 820 x 143 mm RAL 2002 RED	1
N41.9156		Label	IDENTIFICATION PLATE FROMM	1
N42.9160		Label	ALARM ETIKET FS250 - 270	1

Mast FS250 – FS270 Height 2800mm

Part no.	RIF	Description	Specification	Quantity
FS2.1031	1	Mast	PAINTED GARRIAGE GUIDE MAST H=2800	1
FS2.1030	2	Cover	PAINTED CASING LEFT H=2800	1
FS2.1032	3	Cover	PAINTED CASING RIGHT H=2800	1
FS2.1023	4	Cover	PAINTED CARRIAGE CHAIN PROTECTION CASING	2
FS2.1021	5	Bracket	PAINTED CARRIAGE LIMIT CAM	2
FS2.1020	6	Carriage	PAINTED SPOOL CARRIAGE	1
FS2.1016	7	Roller	WHEEL FOR CARRIAGE GUIDE	4
N4.7243	8	Chain wheel	CHAIN REGULATOR 1/2 Z 16	1
FS2.1012	9	Shaft	PIVOT FOR CHAIN REGULATOR	1
FS2.1013	10	Chain wheel	MOTOR PIGNON P.1/2X5/16 Z16	1
FS2.1014	11	Shaft	MOTOR SHAFT	1
FS2.1135	12	Ball bearing	SWINGING SUPPORT SPBFL 205	1
N5.1174	13	Motor	MOTOR MT 63 KW0,22/4/B14/IP55 230-400V	1
N4.7621	14	Wormgear	GEARBOX VSF RMI 40 FL-R.1/80 PAM63 B14	1
FS2.1015	15	Wheel	MOTOR PHONIC WHEEL	1
FS2.1017	16	Washer	PINION WASHER	1
FS2.1018	17	Bracket	SENSOR STIRRUP	1
FS2.1019	18	Plastic cover	CASING OF BLUE SHAFT	1
N1.1520	19	Screw	HEXAGON SCREW M6x16	4
N1.6114	19	Washer	WASHER 6,4x12,5x1,6	4
N1.3216	20	Screw	HEXAGON SOCKET SET SCREW / CONE POINT M8 X 40	1
N1.6176	21	Washer	WASHER 8,4x35x1,5	2
N1.5108	22	Nut	Nut M10	2
N11.1142	23	Screw	HEXAGON SOCKET HEAD CAP SCREWS M6x16	2
N1.6114	23	Washer	WASHER 6,4x12,5x1,6	2
N1.5106	24	Nut	NUT M8	2
N1.6164	24	Washer	WASHER 8,4x17x1,6	2
N1.1507	25	Screw	HEXAGON SCREW M8x16	1
N1.6176	25	Washer	WASHER 8,4x35x1,5	1
N11.1174	26	Screw	HEXAGON SOCKET HEAD CAP SCREWS M4x30	4
N1.5307	26	Nut	PREVAILING HEXAGON TORQUE / NON METALIC INSERT M4	4
N5.3739	27	Bracket	SUPPORT FOR CABLE CHAIN MODEL 1025.12P	1
N11.1118	28	Screw	HEXAGON SOCKET HEAD CAP SCREWS M5x10	2
N1.6103	28	Washer	WASHER 5,3x10	2
N11.1147	29	Screw	HEXAGON SOCKET HEAD CAP SCREWS M5x16	2
N1.6103	29	Washer	WASHER 5,3x10	2
N1.1507	30	Screw	HEXAGON SCREW M8x16	1
N1.1433	31	Screw	HEXAGON SCREW M8x90	2
N1.4404	32	Eye bolt	LIFTING EYE BOLTS M12	1
N1.5108	33	Nut	NUT M10	1
N1.6168	33	Washer	WASHER 10,5x30x2,5	1
N1.1209	34	Screw	HEXAGON SOCKET BOTTON HEAD M5x12 ISO 7380	2
N11.1101	35	Screw	HEXAGON SOCKET HEAD CAP SCREWS M5x12	4
N1.6103	35	Washer	WASHER 5,3x10	4
N1.1209	36	Screw	HEXAGON SOCKET BOTTON HEAD M5x12 ISO 7380	6
N1.1209	37	Screw	HEXAGON SOCKET BOTTON HEAD M5x12 ISO 7380	6
FS2.1029	38	Cover	PAINTED SWITCH CABINET CLOSED PLATE	1
FS2.1050	39	Plate	ELECTRICAL COMPONETS PLATE	1
N1.5102	40	Nut	NUT M6	8
N1.6114	40	Washer	WASHER 6,4x12,5	8
FS2.1026	41	Control panel	PAINTED SWITCH CABINET	1
FS2.1027	42	Bracket	PAINTED SWITCH CABINET SUPPORT LEFT	1
FS2.1028	43	Bracket	PAINTED SWITCH CABINET SUPPORT RIGHT	1
N11.1142	44	Screw	HEXAGON SOCKET HEAD CAP SCREWS M6x16	4
N1.6169	44	Washer	WASHER 6,6x18	4

Mast FS250 – FS270 Height 2800mm

N11.1143	45	Screw	HEXAGON SOCKET HEAD CAP SCREWS M6x20	8
N1.6114	45	Washer	WASHER 6,4x12,5	8
N1.1209	46	Screw	HEXAGON SOCKET BOTTON HEAD M5x12 ISO 7380	6
FS2.1136	47	Plastic cover	PLASTIC COVER	2
N4.7349		Chain	CHAIN 1/2X5/16 P.446 CLASED (H=2800 2V)	1
N2.3314		Key	KEY UNI 6604 8X7X25	1
N2.3359		Key	KEY UNI 6604 6X6X60	1
N3.4307		Distance	THRUSH BLOCK AS 1528	1
N5.3740		Cabel chain	CABLE CHAIN MOD. 10025.038.055 MAGLIE ALBERO 2800 MM 1525	1
N42.9161		Label	STICKER FROMM 820 x 143 mm RAL 2002 RED	1
N41.9156		Label	IDENTIFICATION PLATE FROMM	1
N42.9160		Label	ALARM ETIKET FS250 - 270	1

1

2

3

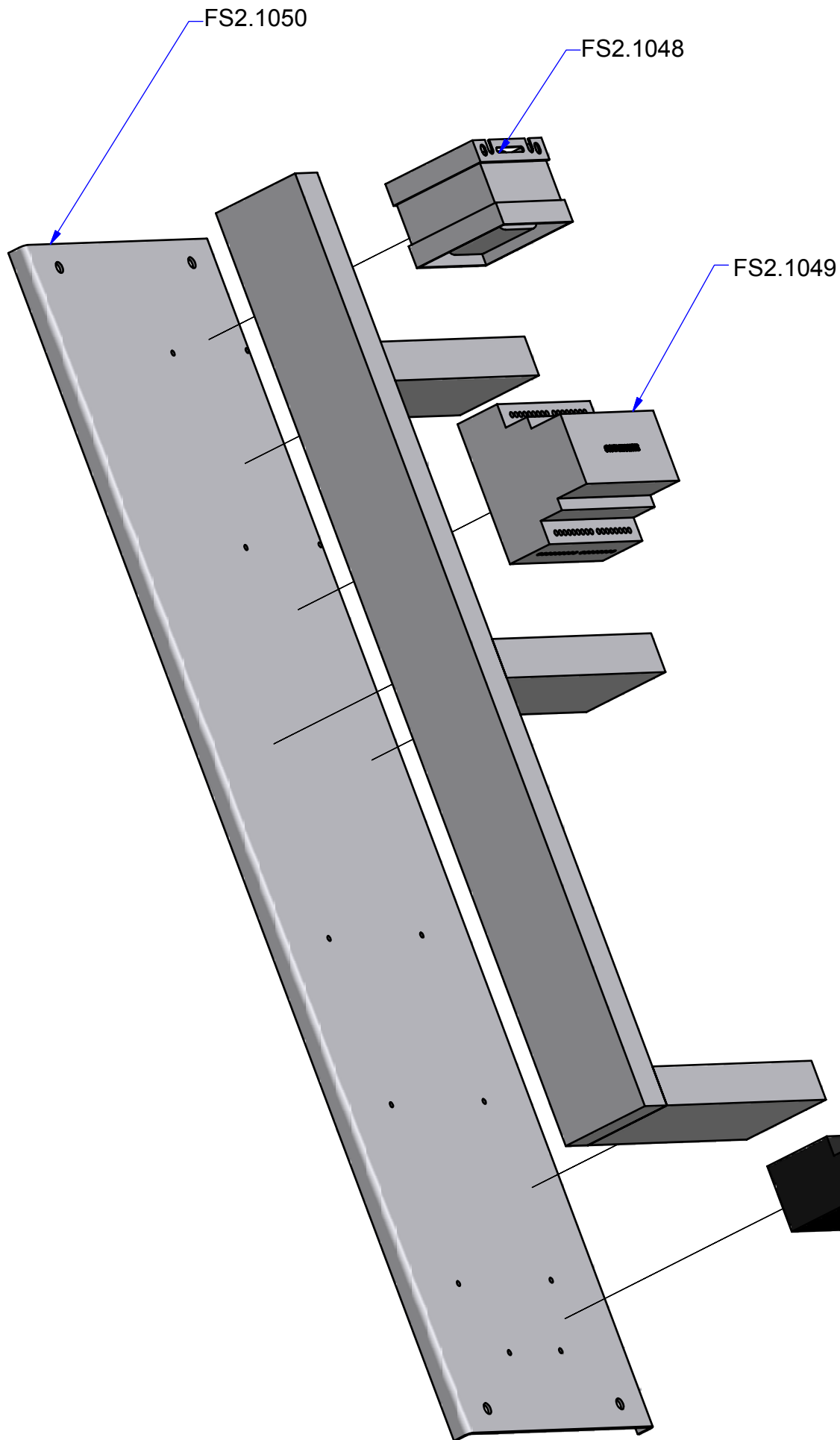
4

A

B

C

D



Components FS 210

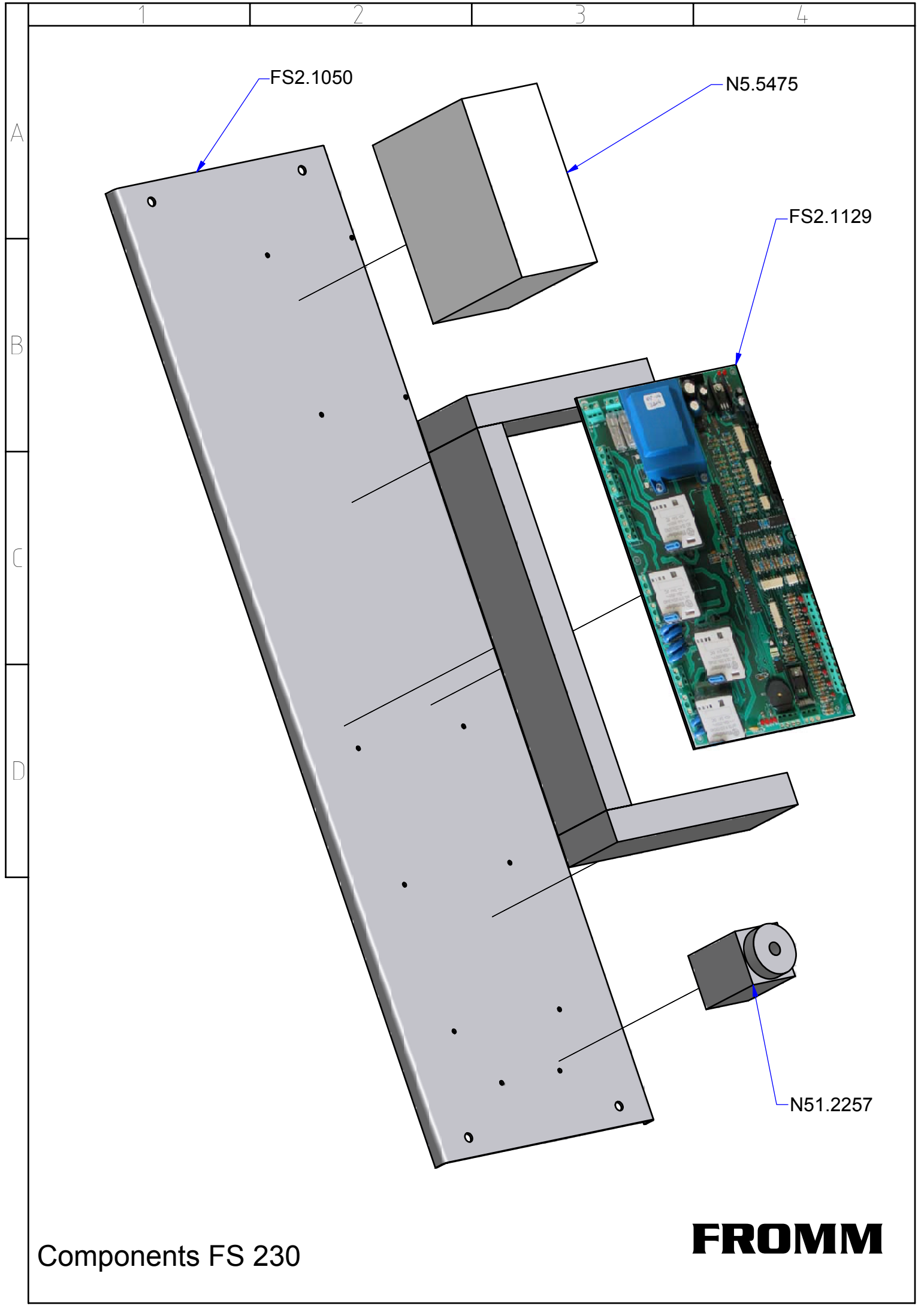
FROMM

Electrical parts FS210

Part no.	RIF	Description	Specification	Quantity
N51.2264		Emergency stop	RED MUSHROOM PUSHBUTTON DIAMETER.40 ER502320 ERSC	1
N51.2265		Contact	CONTACT NC ER520810 ERSCE	2
FS2.1142		Contact	DOUBLE PUSHBUTTIM ER502530 ERSCE	1
FS2.1143		Contact	CONTACT NO ER520800 ERSCE	1
N51.2268		Joystick	JOYSTIC ER508040 M 21V ERSCE	1
N51.2257		Main Switch	3 POLES MAIN SWITCH LA2-16-1753 0-1 3X16A BRETER	1
N51.2255		Sgaft	SHAFT LA2-G3393 BRETER	1
FS2.1144		Subassembly	PLATE LSFS2-G-6175 BRETER	1
FS2.1145		Lamp	WHITE INDICATOR ER501640 S6 ERSCE	1
FS2.1146		Subassembly	LAMP HOLDER ER520100 BR24-B ERSCE	1
FS2.1047		Pannel	KEYBOARD T-210	1
FS2.1048		Transformer	SINGLE PHASE TRANSFORMAER 60 VA 0-230-400/0-24 JOYSTIC	1
FS2.1049		Power Board	ELECTRONIC BOARD FS-210 JOYSTICK	1
N5.2259		Lamp	LAMP 2W 30V	1
N5.2344		Limit switch	LIMIT SWITCH ERSCE E 100 00 IP	2
N5.3327		Cable gland	CABLE GLAND SKINTOP PG13 D.C.V. 5/12	3
N5.3630		Cable gland	NYLON LOCK NUT SKINTOP PG13,5	1
N5.4208		Fuse	FUSE 5X20 4A	3
N5.4227		Fuse	CERAMIC FUSE 5X20 1A	2

Electrical parts FS230 Version 01

Part no.	RIF	Description	Specification	Quantity
N51.2257		Main Switch	3 POLES MAIN SWITCH LA2-16-1753 0-1 3X16A BRETER	1
FS2.1081		Transformer	SINGLE PHASE TRANSFORMER 0-220-400/0-8/0-18 VAC	1
FS2.1082		Power Board	POWER ELECTRONIC BOARD FS-230.01 WITH SOFT-START	1
FS2.1147		Distance	ISOLATION SPACER SS8/5	5
N51.2115		Connector	CONNNECTOR FOR SENSOR CD12M/OB-050A1	1
FS2.1050		Subassembly	ELECTRICAL COMPONETS PLATE	1
FS2.1083		Pannel	DIGITAL PANEL T-100 F.	1
FS2.1084		Control board	ELECTRONIC BOARD OPERATING PANEL FS-230.01	1
N51.2255		Shaft	SHAFT LA2-G3393 BRETER	1
N51.2264		Emegency stop	RED MUSHROOM PUSHBUTTON DIAMETER.40 ER502320 ERSCE	1
N51.2265		Contact	CONTACT NC ER520810 ERSCE	1
N5.2344		Limit switch	LIMIT SWITCH ERSCE E 100 00 IP ROT.LEVA PIEGATA	1
N5.3327		Cable gland	CABLE GLAND SKINTOP PG13 D.C.V. 5/12	3
N5.3630		Cable gland	NYLON NUT SKINTOP PG13,5	1



FS2.1050

N5.5475

FS2.1129

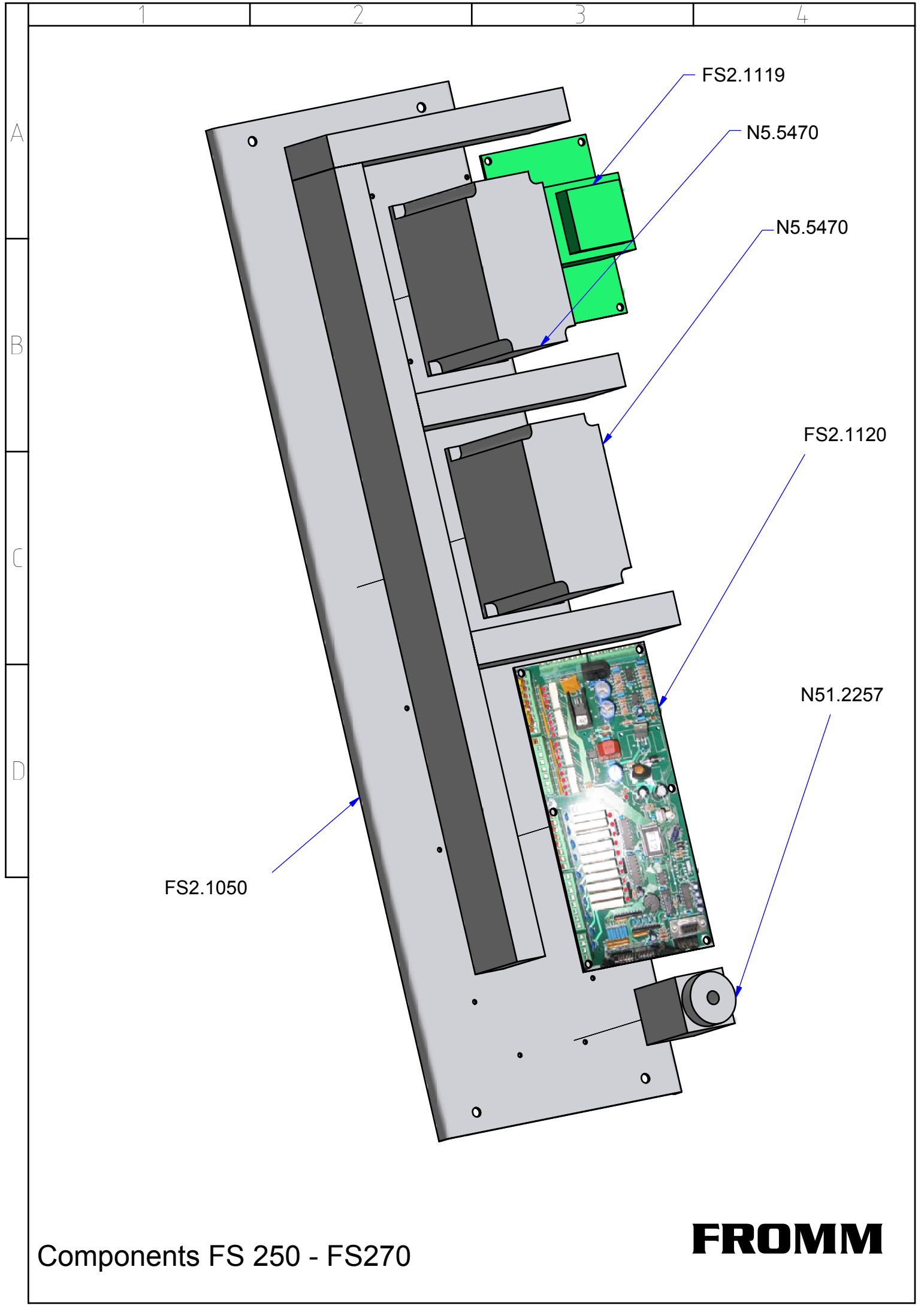
N51.2257

Components FS 230

FROMM

Electrical parts FS230 Version 02 - 03

Part no.	RIF	Description	Specification	Quantity
N51.2257		Main Switch	3 POLES MAIN SWITCH LA2-16-1753 0-1 3X16A BRETER	1
FS2.1129		Power supply	POWER ELECTRONIC BOARD FS-230.02 WITH INVERTER	1
N5.5475		Inverter	INVERTER MON 0.75KW LG	1
FS2.1147		Distance	ISOLATION SPACER SS8/5	5
N51.2115		Connector	CONNETECTOR FOR SENSOR CD12M/OB-050A1	1
FS2.1050		Subassembly	ELECTRICAL COMPONETS PLATE	1
FS2.1148		Label	LABEL DIGITAL PANEL T-230 F.	1
FS2.1158		Control board	ELECTRONIC BOARD OP FS-230.02 WITH INVERTER AND TOPPRESS	1
FS2.1130		Control board	ELECTRONIC BOARD OP FS-230.02 WITH INVERTER	1
FS2.1392		Label + Pc-Board	FS2.1148 (LABEL) + FS2.1158 (PC-BOARD)	1
N51.2255		Shaft	SHAFT LA2-G3393 BRETER	1
N51.2265		Contact	OPERATOR LSFS2-G-6175 BRETER	1
N51.2264		Emergency stop	RED MUSHROOM PUSHBUTTON DIAMETER.40 ER502320 ERSCE	1
N51.2265		Contact	CONTACT NC ER520810 ERSCE	1
N5.2344		Limit switch	LIMIT SWITCH ERSCE E 100 00 IP ROT.LEVA PIEGATA	1
N5.3327		Cable gland	CABLE GLAND SKINTOP PG13 D.C.V. 5/12	3
N5.3630		Cable gland	NYLON NUT SKINTOP PG13,5	1



1

2

3

4

A

B

C

D

FS2.1119

N5.5470

N5.5470

FS2.1120

N51.2257

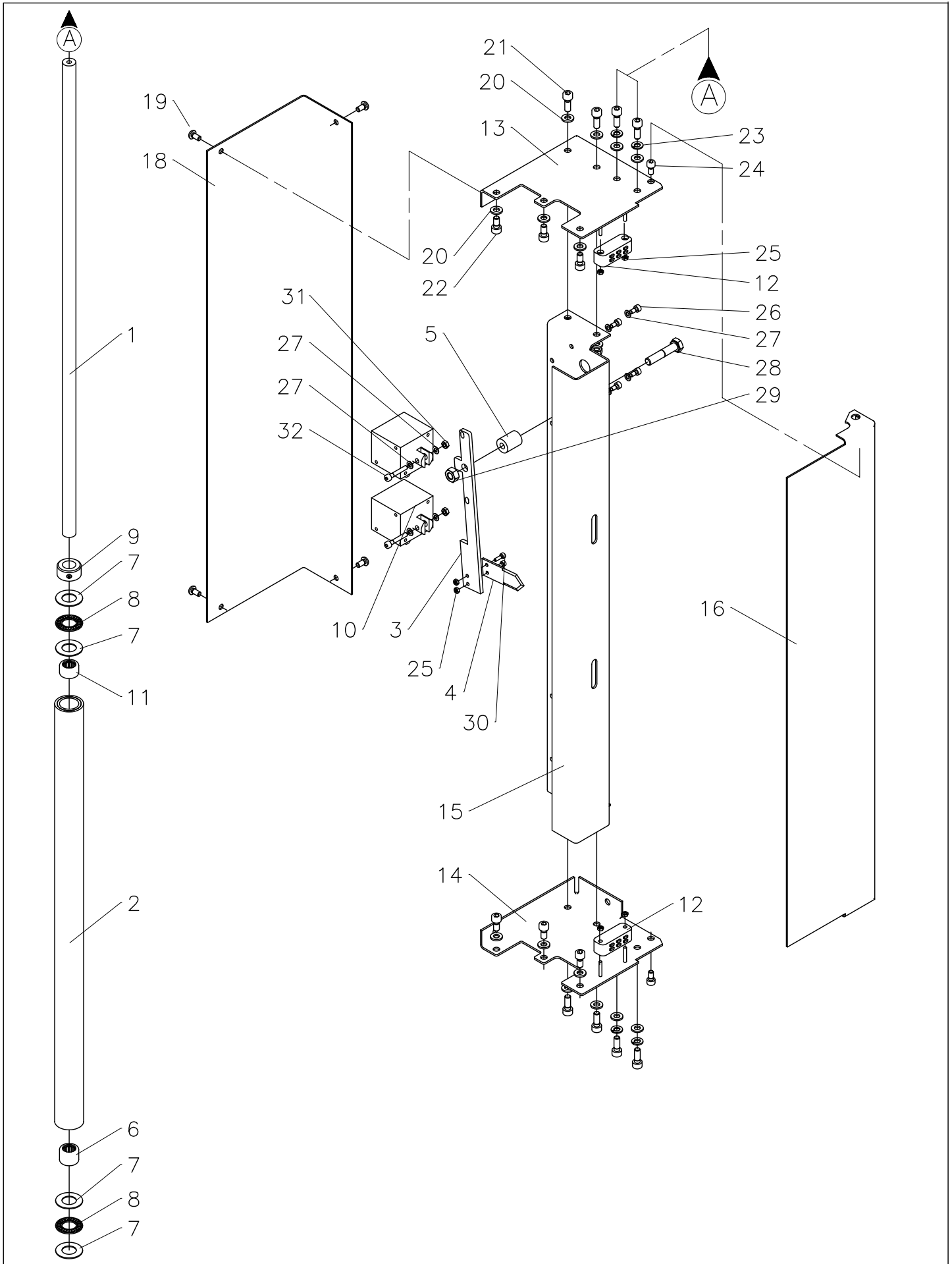
FS2.1050

Components FS 250 - FS270

FROMM

Electrical parts FS250 – FS270 – FS270+

Part no.	RIF	Description	Specification	Quantity
N5.5470		Inverter	SINGLE PHASE INVERTER FOR MOTOR UP TO 0,55 KW 3G3JV-A2004 0,55 KW 3A 220V	2
FS2.1119		Power Supply	POWER SUPPLY PSB-358 PER TAVOLA	1
FS2.1120		Power board	POWER ELECTRONIC BOARD F.250-270-270+	1
N51.2111		Connector	CONNECTOR 3 POLES PHOENIX MSTB 2,5 3 ST 5.08	1
N51.2112		Connector	CONNECTOR 3 POLES PHOENIX MSTB 2,5 6 ST 5.08	1
N51.2113		Connector	CONNECTOR 8 POLES PHOENIX MSTB 2,5 8 ST 5.08	5
N5.2819		Connector	CONNECTOR FOR SENSOR CD 12M/AA-020C1	1
N51.2257		Main Switch	3 POLES MAIN SWITCH LA2-16-1753 0-1 3X16A BRETER	1
FS2.1050		Subassembly	ELECTRICAL COMPONETS PLATE	1
N51.2255		Shaft	SHAFT LA2-G3393 BRETER	1
FS2.1150		Contact	OPERATOR LSFS2-G-6175 BRETER	1
N5.2542		Sensor	PROXIMITY SENSOR AM6/AP-IH M12 NO	1
N51.2264		Emergency stop	RED MUSHROOM PUSHBUTTON DIAMETER.40 ER502320 ERSCE	1
N51.2265		Contact	CONTACT NC ER520810 ERSCE	2
FS2.1117		Pannel	DIGITAL PANEL T-250-270-270+ F.	1
FS2.1118		Control board	DIGITAL ELECTRONIC BOARD FOR TABLE F.250-270-270+	1
N5.2344		Limit switch	LIMIT SWITCH ERSCE E 100 00 IP	2
N5.3327		Cable gland	CABLE GLAND SKINTOP PG13 D.C.V. 5/12	2



Filmcuttingunit FS250 - 270 - 270+
 Robot FR250 - 270 - 290

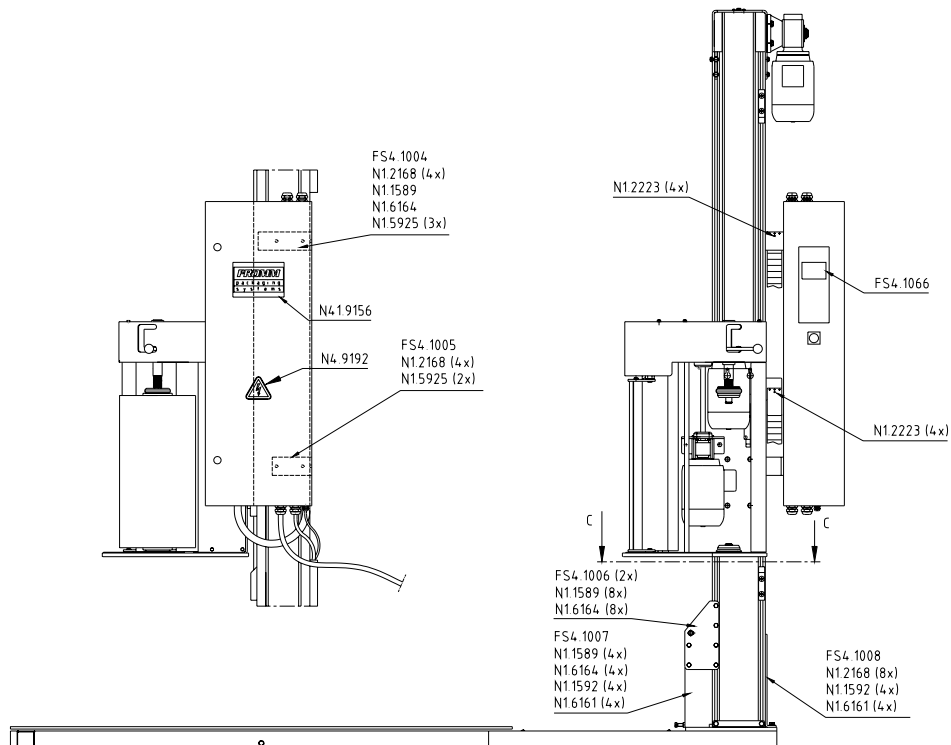
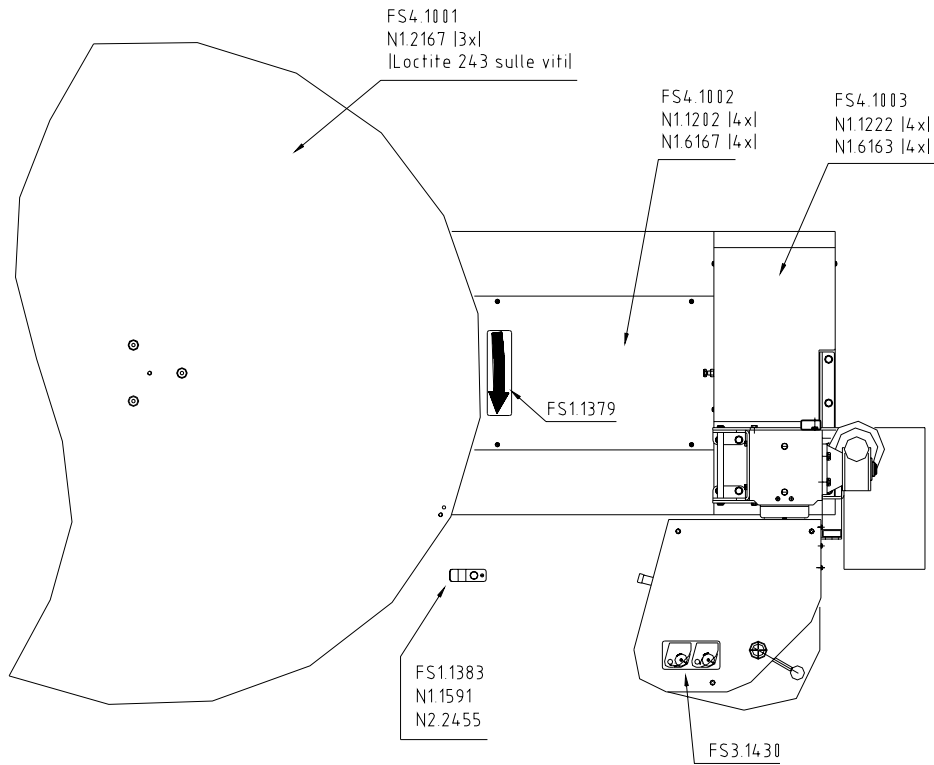
FROMM

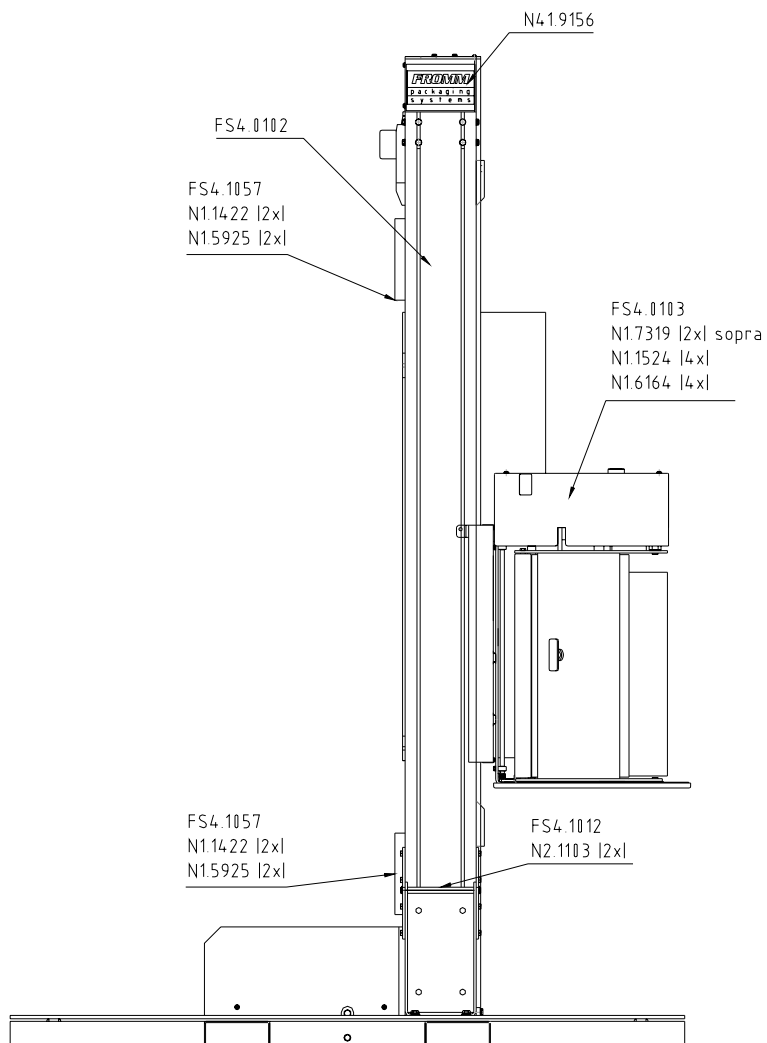
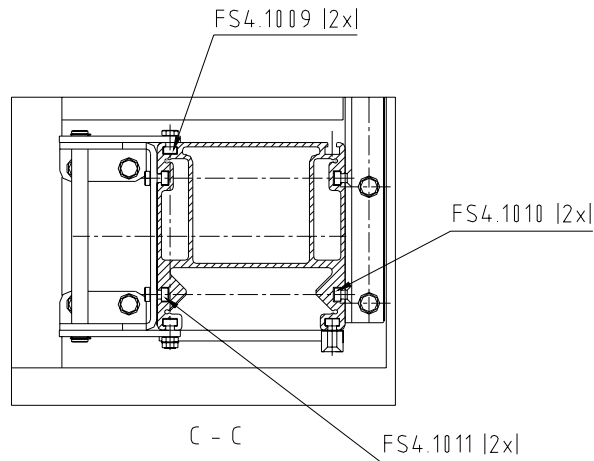
Cutting Device FS250 – FS270 – FS270+ (16.8246)

Part no.	RIF	Description	Specification	Quantity
FS2.1106	1	Feeding roller	ANTI-RETURN ROLLER PIVOT	2
FS2.1107	2	Feeding roller	RUBBER ROLLER ANTI-RETURN	2
FS2.1108	3	Bracket	FILM CUTTER LEVER	1
FS2.1109	4	Knife	FILM CUTTER	1
FS2.1110	5	Distance	SPACER FOR FILM CUTTER LEVER	1
N3.4518	6	Roller	FREE WHEELS HF-1416	2
N3.4307	7	Distance	THRUSH BLOCK AS 1528	8
N3.4102	8	Ball bearing	AXIAL CAGE AXK 1528	4
N7.2210	9	Metal ring	LOCK RING DIN 705 FORMA C D.14	2
FS2.1134	10		SOLENOID 24 V. C.C. DUTY 100% MOD. D6	2
N3.2358	11	Roller	ROLLERS CASES HK-1412	2
FS2.1111	12	Magnet	MAGNETIC CLOSURE UC14	2
FS2.1112	13	Casing	PAINTED TOP PLATE	1
FS2.1113	14	Casing	PAINTED BOTTOM PLATE	1
FS2.1114	15	Casing	PAINTED SOLENOIDS HOLDER PLATE	1
FS2.1115	16	Casing	PAINTED CUTTER PROTECTION CASING	1
FS2.1116	18	Casing	PAINTED SOLENOID PROTECTION CASING	1

FS400/1650 PART LIST

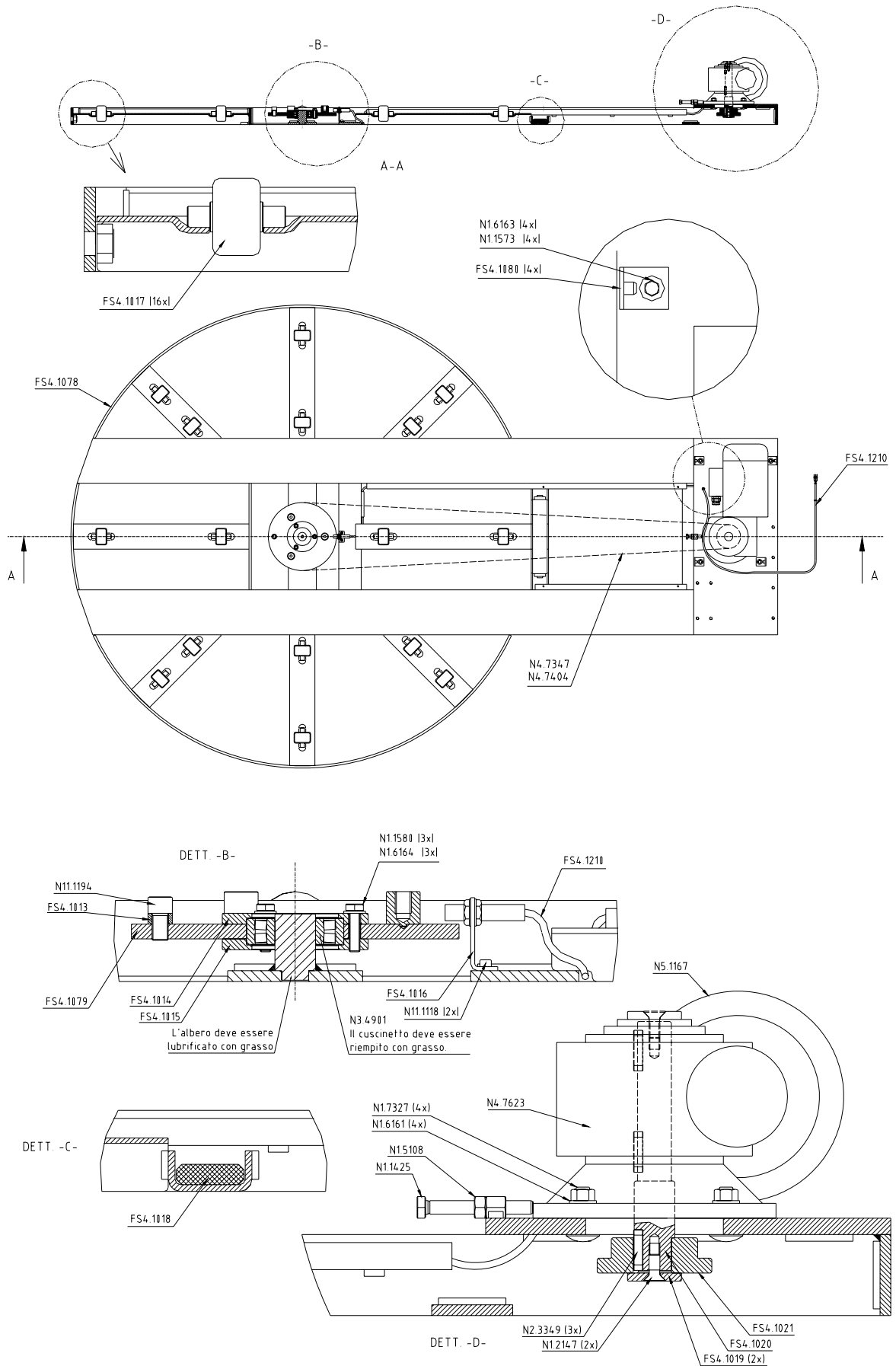
Part no.	Quantity	Description	Specification
FS1.1379	1	Label , arrow	
FS1.1383	1	Bracket , film	
FS3.1430	1	Label, fim spool	
FS4.0102	1	Mast unit	
FS4.0103	1	Stretch unit	
FS4.1001	1	Disk	Ø1650
FS4.1002	1	Chain cover	
FS4.1003	1	Motor cover	
FS4.1004	1	Bracket electrical cabinet	
FS4.1005	1	Bracket electrical cabinet	
FS4.1006	2	Bracket	
FS4.1007	1	Bracket	
FS4.1008	1	Bracket	
FS4.1009	2	Bracket	
FS4.1010	2	Bracket	
FS4.1011	2	Bracket	
FS4.1012	1	Shaft	
FS4.1057	2	Cable pipe	
FS4.1066	1	Label	
N1.1202	4	Screw	M5x10
N1.1222	4	Screw	M6x20
N1.1422	4	Bolt	M8x12
N1.1524	4	Bolt	M8x20
N1.1589	13	Bolt	M8x18
N1.1591	1	Bolt	M10x12
N1.1592	8	Bolt	M10x22
N1.2167	3	Flat head cap screw	M12x20
N1.2168	16	Flat head cap screw	M8x16
N1.2223	8	Screw	M3x6
N1.5925	9	Square nut	
N1.6161	8	Washer M10	10.5x20x2
N1.6163	4	Washer M6	6.4x12x1.6
N1.6164	21	Washer M8	8.4x16x1.6
N1.6167	4	Washer M5	5.3x10x1
N1.7319	2	Bolt	M8x20
N2.1103	2	Retaining ring Ø15	
N2.2455	1	SPINA ELASTICA	Ø8x10
N4.9192	1	Label	
N41.9156	2	Label FROMM	174x124x1





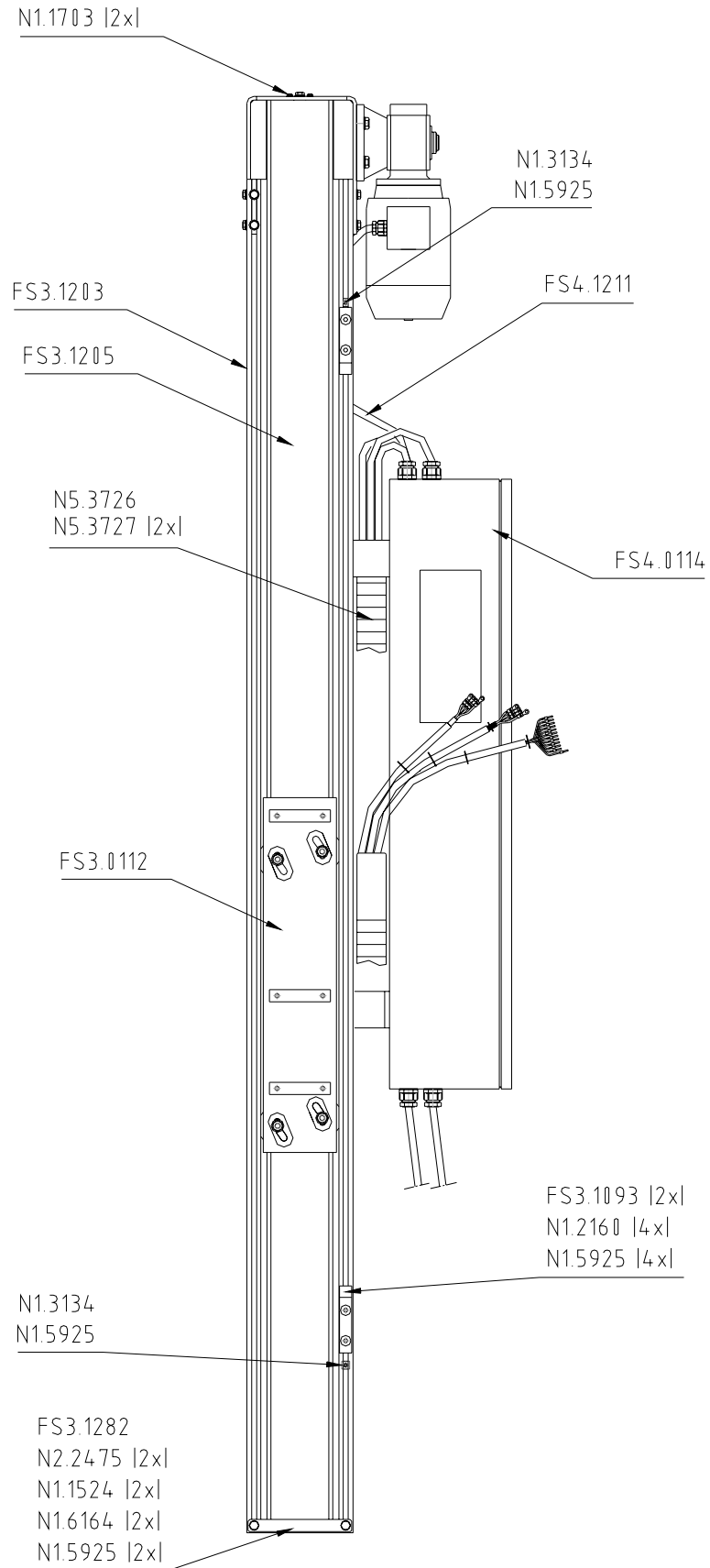
FS400/1650 BASE UNIT Standard Version

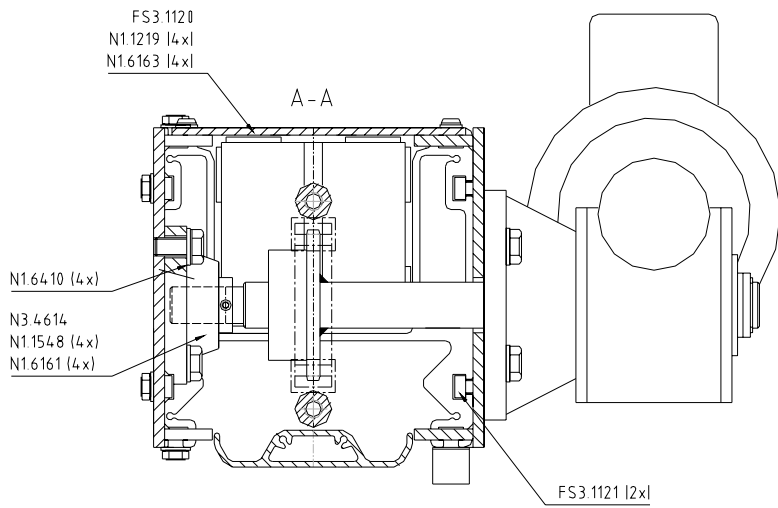
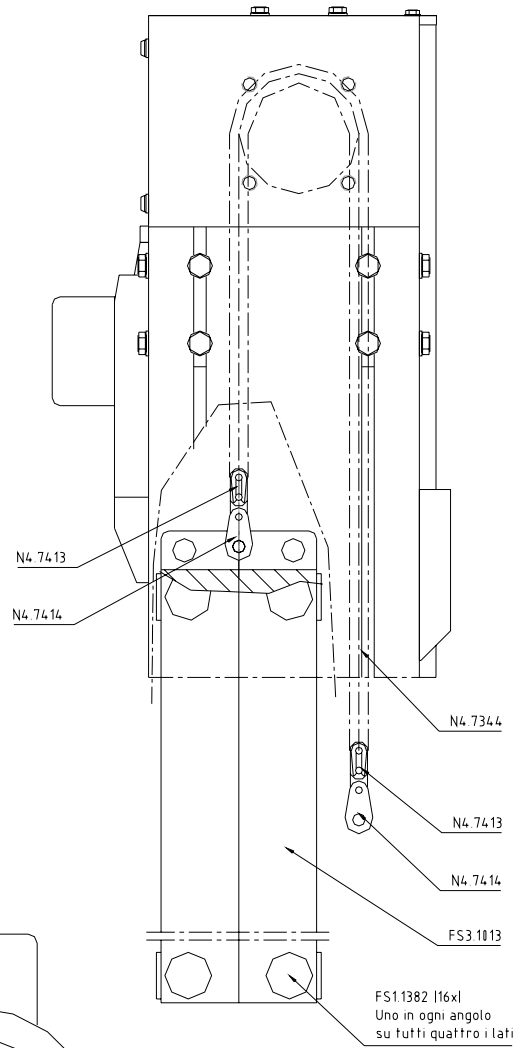
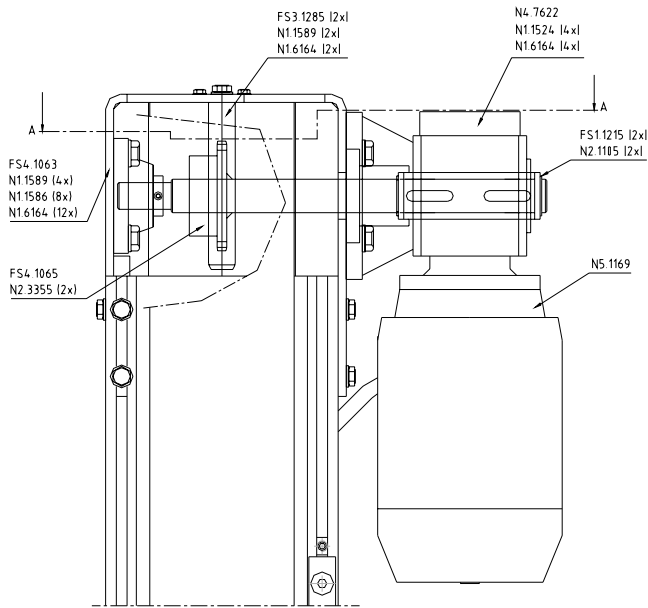
Part no.	Quantity	Description	Specification
FS4.1013	1	Spacer M12	12.2x18x8
FS4.1014	1	Ball bearing housing	
FS4.1015	1	Ball bearing housing	
FS4.1016	1	Bracket	
FS4.1017	16	Roll	
FS4.1018	1	Plate	
FS4.1019	2	Washer	
FS4.1020	1	Shaft	
FS4.1021	1	Pignon	
FS4.1078	1	Base unit welded	
FS4.1079	1	Chain wheel subassembly	
FS4.1080	4	Bracket	
FS4.1210	1	Proximity switch included cable	
N1.1425	1	Bolt	M10x80
N1.1573	4	Bolt	M6x12
N1.1580	3	Bolt	M8x30
N1.2147	2	Flat head cap screw .	M8x20
N1.5108	1	Hex nut M10	
N1.6161	4	Washer M10	10.5x20x2
N1.6163	4	Washer M6	6.4x12x1.6
N1.6164	3	Washer M8	8.4x16x1.6
N1.7327	4	Bolt	M10x40
N11.1118	2	Sockethead cap screw	M5x10
N11.1194	1	Sockethead cap screw	M12x20
N2.3349	3	Key	8x7x30
N3.4901	1	Ball bearing	30x72x19
N4.7347	1	Roller chain 3/4"x7/16"	
N4.7404	1	Spring clip connectin link	
N4.7623	1	Gearbox 1/28	
N5.1167	1	Motor 0.75kW	



FS400/1650 MAST UNIT

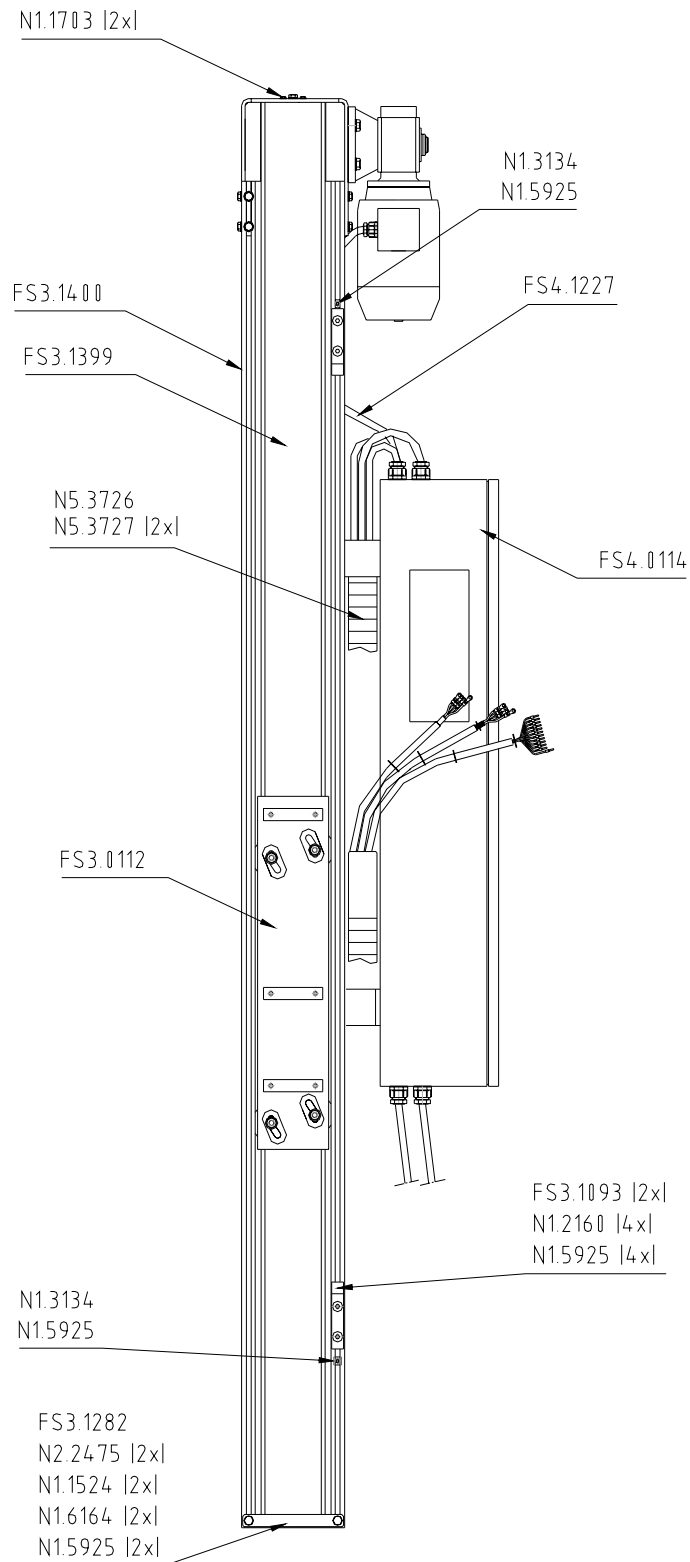
Part no.	Quantity	Description	Specification
FS1.1215	2	Washer	25x35x4
FS1.1382	16	Felt (washer)	Ø25x3
FS3.0112	1	Mast carrier	
FS3.1013	1	Weight, subassembly	
FS3.1093	2	Cam	
FS3.1120	1	Plate	
FS3.1121	2	Bracket	
FS3.1203	1	Mast profile	
FS3.1205	1	Cover profile	
FS3.1282	1	Bracket	
FS3.1285	2	Shaft	
FS4.0114	1	Electrical cabinet	
FS4.1063	1	Bracket subassembly	
FS4.1065	1	Shaft with pignon	
FS4.1211	1	Cable, carriage motor	
N1.1219	4	Screw	M6x12
N1.1524	6	Bolt	M8x20
N1.1548	4	Bolt	M10x20
N1.1586	8	Bolt	M8x12
N1.1589	6	Bolt	M8x18
N1.1703	2	Screw	Ø4.8x19
N1.2160	4	Flat head cap screw	M8x30
N1.3134	2	Socket head set screw DIN 913	M8x10
N1.5925	8	Square nut	
N1.6161	4	Washer M10	10.5x20x2
N1.6163	4	Washer M6	6.4x12x1.6
N1.6164	20	Washer M8	8.4x16x1.6
N1.6410	4	Lock washer M10	10.5x18x0.9
N2.1105	2	Retaining ring Ø25	
N2.2475	2	Roll pin DIN 1481	Ø5x40
N2.3355	2	Key	8x7x35
N3.4614	1	Y-bearing housing	
N4.7344	1	Roll chain 1/2"	
N4.7413	2	Spring clip connecting link	
N4.7414	2	End-link	
N4.7622	1	Gear box	
N5.1169	1	Motor	
N5.3726	1	Cable chain	48.2x19.3-95 MA.
N5.3727	2	Bracket set cable chain	

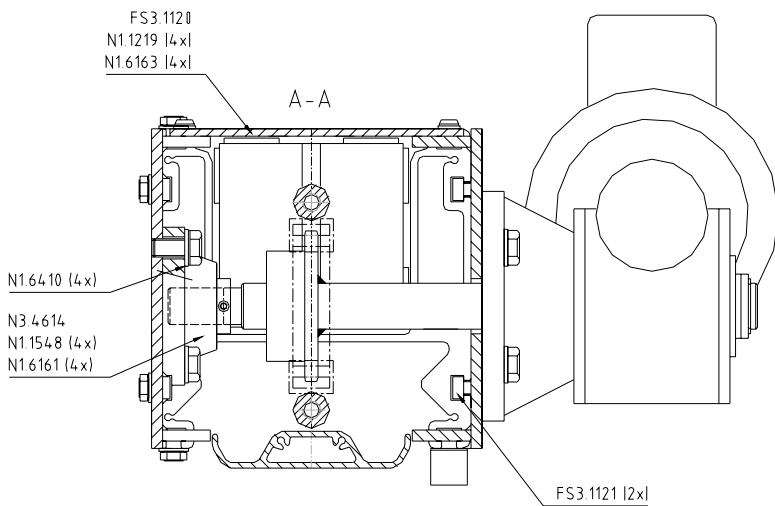
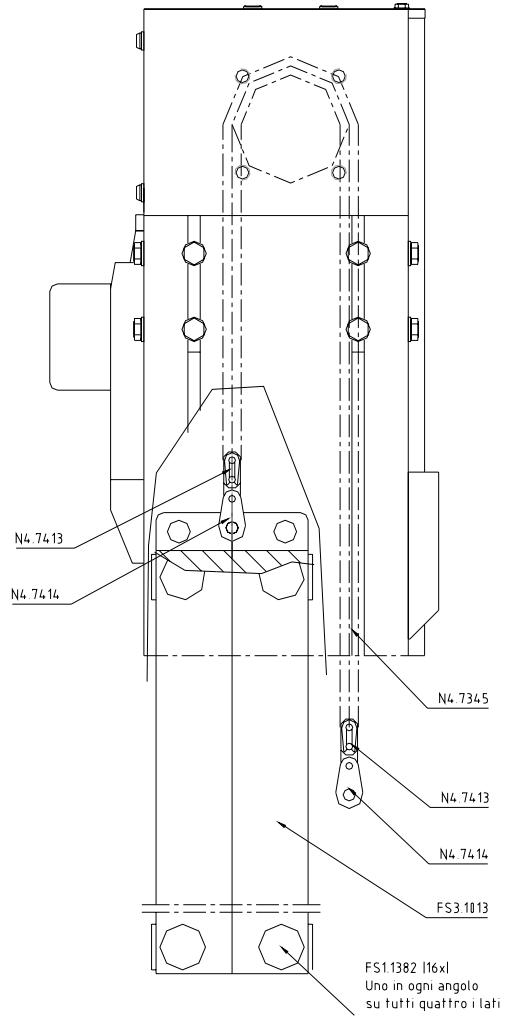
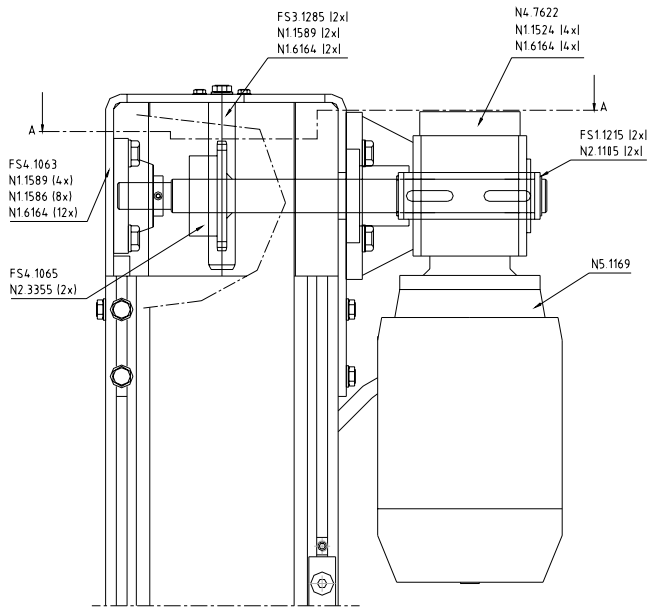




FS401/1650 MAST UNIT

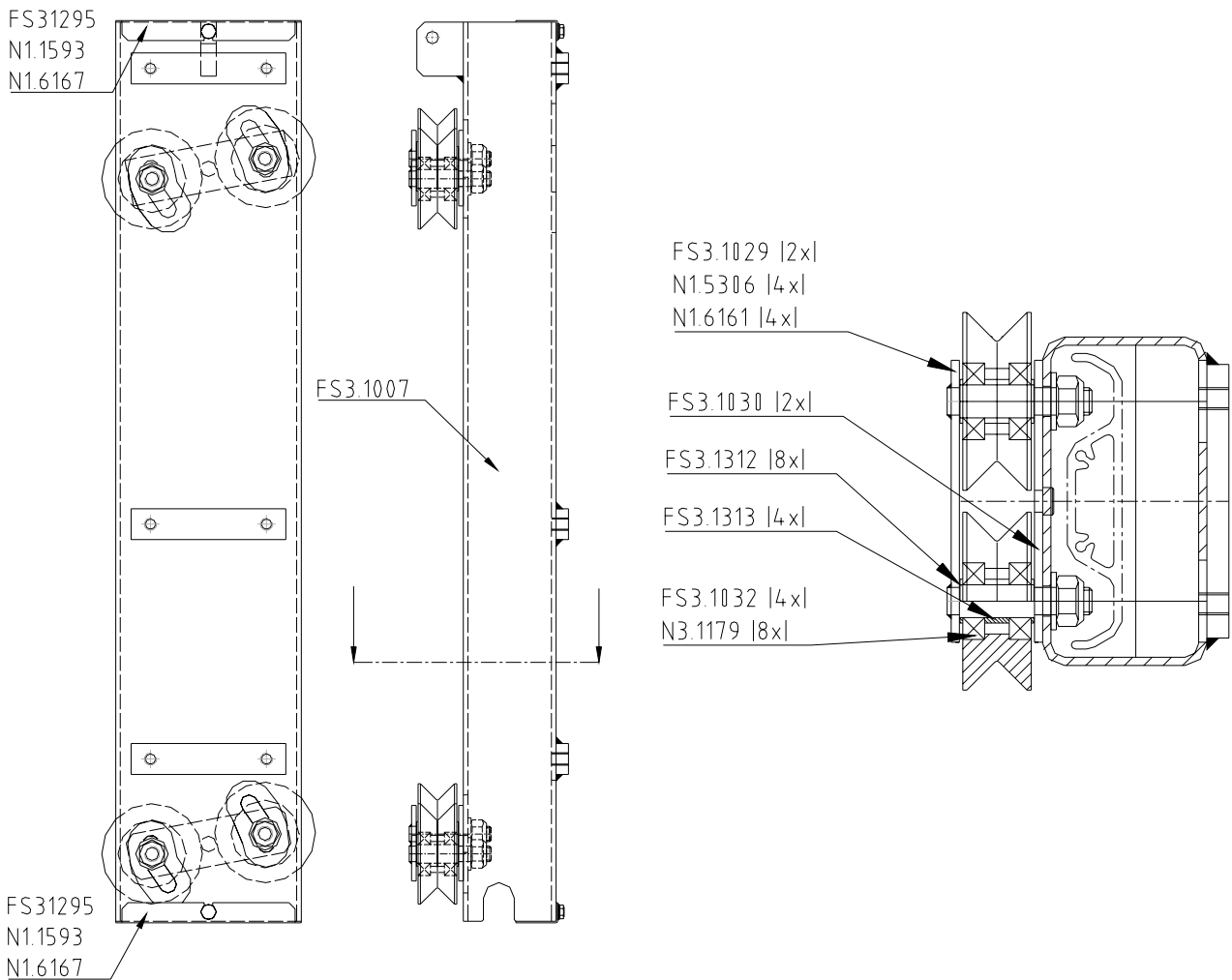
Part no.	Quantity	Description	Specification
FS1.1215	2	Washer	25x35x4
FS1.1382	16	Felt (washer)	Ø25x3
FS3.0112	1	Mast carrier	
FS3.1013	1	Weight, subassembly	
FS3.1093	2	Cam	
FS3.1120	1	Plate	
FS3.1121	2	Bracket	
FS3.1400	1	Mast profile	
FS3.1399	1	Cover profile	
FS3.1282	1	Bracket	
FS3.1285	2	Shaft	
FS4.0114	1	Electrical cabinet	
FS4.1063	1	Bracket subassembly	
FS4.1065	1	Shaft with pignon	
FS4.1227	1	Cable, carriage motor	
N1.1219	4	Screw	M6x12
N1.1524	6	Bolt	M8x20
N1.1548	4	Bolt	M10x20
N1.1586	8	Bolt	M8x12
N1.1589	6	Bolt	M8x18
N1.1703	2	Screw	Ø4.8x19
N1.2160	4	Flat head cap screw	M8x30
N1.3134	2	Socket head set screw DIN 913	M8x10
N1.5925	8	Square nut	
N1.6161	4	Washer M10	10.5x20x2
N1.6163	4	Washer M6	6.4x12x1.6
N1.6164	20	Washer M8	8.4x16x1.6
N1.6410	4	Lock washer M10	10.5x18x0.9
N2.1105	2	Retaining ring Ø25	
N2.2475	2	Roll pin DIN 1481	Ø5x40
N2.3355	2	Key	8x7x35
N3.4614	1	Y-bearing housing	
N4.7345	1	Roll chain 1/2"	
N4.7413	2	Spring clip connecting link	
N4.7414	2	End-link	
N4.7622	1	Gear box	
N5.1169	1	Motor	
N5.3726	1	Cable chain	48.2x19.3-95 MA.
N5.3727	2	Bracket set cable chain	





FS400/1650 MAST CARRIER

Part no.	Quantity	Description	Specification
FS3.1007	1	Carrier, subassembly	
FS3.1029	2	Bracket, subassembly	
FS3.1030	2	Bracket, subassembly	
FS3.1032	4	Wheel	
FS3.1295	2	Cover	
FS3.1312	8	Spacer	12x16x1
FS3.1313	4	Spacer	12x16x9
N1.1593	2	Bolt	M5x10
N1.5306	4	Lock nut	
N1.6161	4	Washer M10	10.5x20x2
N1.6167	2	Washer M5	5.3x10x1
N3.1179	8	Ball bearing	6001 RS1



FS400/1650 STRETCH UNIT

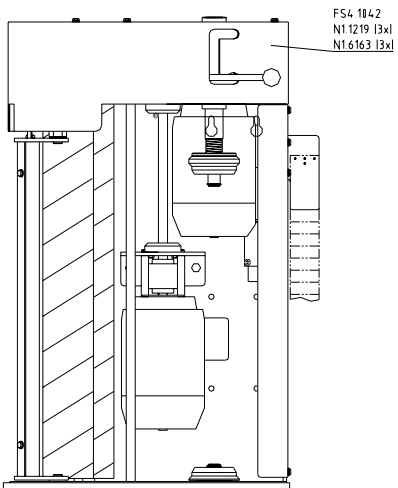
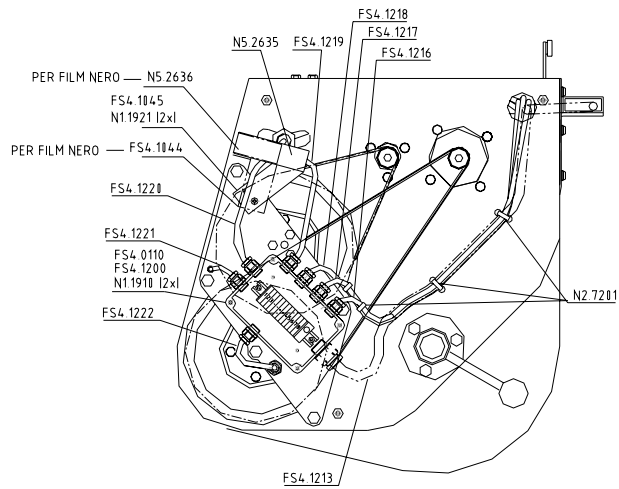
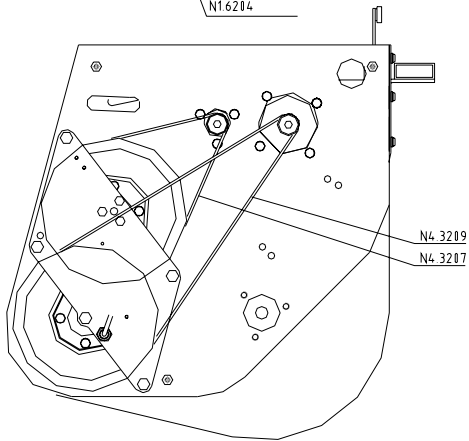
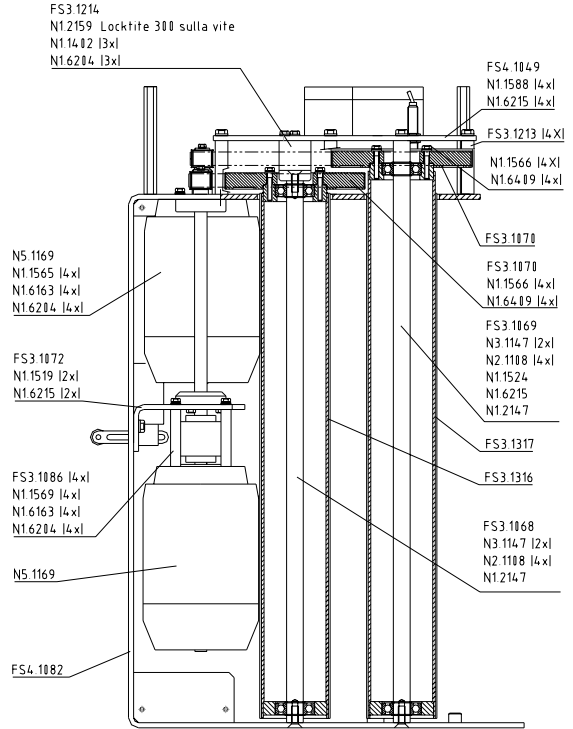
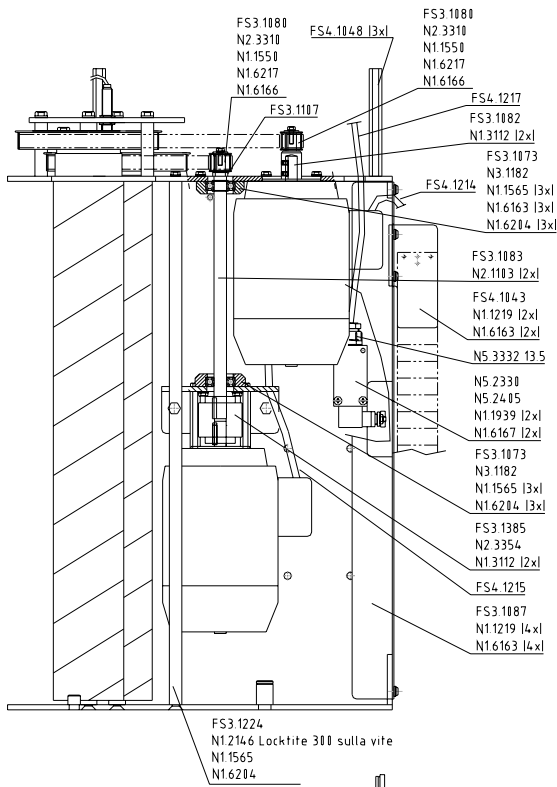
Part no.	Quantity	Description	Description
FS1.1223	1	Ring	
FS3.1056	1	Bracket	
FS3.1058	1	Shaft	
FS3.1059	1	Ring	
FS3.1060	1	Disk	
FS3.1061	1	Ring	
FS3.1062	1	Shaft	
FS3.1063	1	Bracket, subassembly	
FS3.1064	1	Shaft	
FS3.1068	1	Shaft	
FS3.1069	1	Shaft	
FS3.1070	2	Belt wheel	
FS3.1072	1	Bracket	
FS3.1073	2	Housing	
FS3.1075	1	Shaft	
FS3.1076	1	Bracket	
FS3.1077	1	Bracket	
FS3.1078	2	Bracket	
FS3.1079	1	Plate	
FS3.1080	2	Belt wheel	
FS3.1082	1	Shaft	
FS3.1083	1	Shaft	
FS3.1086	4	Spacer	
FS3.1087	1	Cover	
FS3.1090	2	Shaft	
FS3.1107	1	Spacer	12.1x18x4.5
FS3.1213	4	Spacer	
FS3.1214	1	Bracket	
FS3.1224	1	Shaft	
FS3.1303	1	Stop	
FS3.1305	1	Spacer	
FS3.1316	1	Feeding roller, subassembly	
FS3.1317	1	Feeding roller, subassembly	
FS3.1384	1	Spacer	
FS3.1385	1	Coupling	
FS3.1393	2	Spacer	
FS3.1411	2	Spacer	
FS3.1433	1	Stop	
FS4.0110	1	Electric connction box	
FS4.1042	1	Cover up	
FS4.1043	1	Bracket	
FS4.1045	1	Bracket	
FS4.1048	3	Spacer	
FS4.1049	1	Plate	
FS4.1051	1	Bracket	
FS4.1052	1	Door	
FS4.1053	2	Spacer	
FS4.1082	1	Frame, subassembly	
FS4.1083	1	Protection cover	
FS4.1084	1	Cover down	
FS4.1088	1	Shaft	
FS4.1200	1	Electronic bord	
FS4.1216	1	Cable safety switch bottom	
FS4.1217	1	Cable carriage up/down switch	
FS4.1218	1	Cable safety switch door	
FS4.1219	1	Cable photocell	
FS4.1220	1	Analogical sensor with cable	
FS4.1221	1	Cable safety switch on roll	
FS4.1222	1	Proximity switch with cable	
N1.1219	9	Screw	M6x12

FS400/1650 STRETCH UNIT

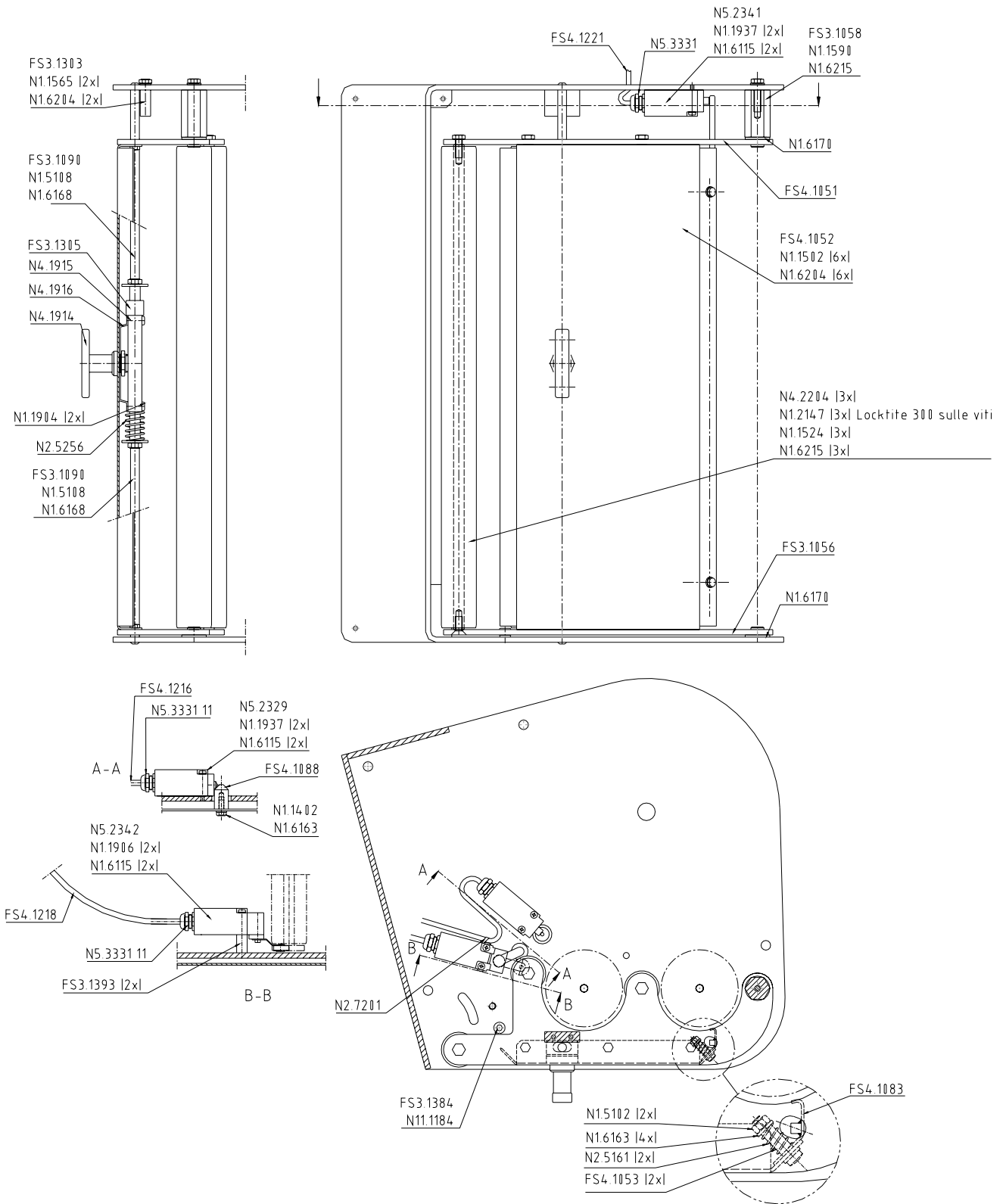
N1.1402	4	Bolt	M6x14
N1.1502	10	Bolt	M6x10
N1.1519	5	Bolt	M8x14
N1.1523	5	Bolt	M6x25
N1.1524	4	Bolt	M8x20
N1.1550	2	Bolt	M5x12
N1.1565	13	Bolt	M6x20
N1.1566	9	Bolt	M6x35
N1.1569	4	Bolt	M6x90
N1.1588	4	Bolt	M8x80
N1.1590	1	Bolt	M8x22
N1.1904	2	Phillips head screw	M5x20
N1.1906	2	Phillips head screw	M4x50
N1.1910	2	Phillips head screw	M4x12
N1.1921	2	Phillips head screw	M4x10
N1.1937	4	Phillips head screw	M4x30
N1.1939	2	Phillips head screw	M5x35
N1.2146	1	Flat head cap screw .	M6x20
N1.2147	5	Flat head cap screw .	M8x20
N1.2159	1	Flat head cap screw .	M8x25
N1.2162	4	Flat head cap screw .	M6x16
N1.2163	3	Flat head cap screw .	M5x12
N1.3112	4	Socket Head Set Screw	M5x10
N1.5102	2	Hex nut M6	
N1.5108	2	Hex nut M10	
N1.6115	6	Washer M4	4.3x9x0.8
N1.6163	25	Washer M6	6.4x12x1.6
N1.6166	2	Washer M5	
N1.6167	2	Washer M5	5.3x10x1
N1.6168	2	Washer M10	10.5x30x2.5
N1.6169	4	Washer PER M6	
N1.6170	2	Plastic washer M15	15x28x2.5
N1.6204	36	Lock washer M6	
N1.6215	14	Lock washer M8	
N1.6217	2	Lock washer M5	
N1.6409	8	Lock washer M6	6.4x11x0.7
N1.6411	4	Serrated washer M6	
N11.1184	1	Sockethead cap screw	M8x8
N2.1103	2	Retaining ring Ø15	
N2.1108	10	Retaining ring Ø20	
N2.2476	1	Roll pin	Ø6x10
N2.2477	2	Roll pin	Ø6x14
N2.3310	2	Key	4x4x20
N2.3354	1	Key	5x5x25
N2.5161	2	Spring	1x12x20/6.5
N2.5256	1	Spring	
N2.5257	1	Spring	
N2.5829	1	Spring	
N2.5830	1	Spring	
N2.7201	6	Plastic tie	170x4.8
N3.1147	4	Ball bearing 6204	20x47x14
N3.1182	2	Ball bearing 6202	15x35x11
N3.3182	2	Bushing	20x23x15
N3.3185	2	Flanged bushing	10x12x12
N3.4702	1	Axial ball bearing	20x40x14
N4.1104	1	Ball grip	
N4.1914	1	T-handle	
N4.1915	1	Espagnolette-lock	
N4.1916	1	Mounting bracket	
N4.2204	3	Roller	
N4.2205	1	Roller	

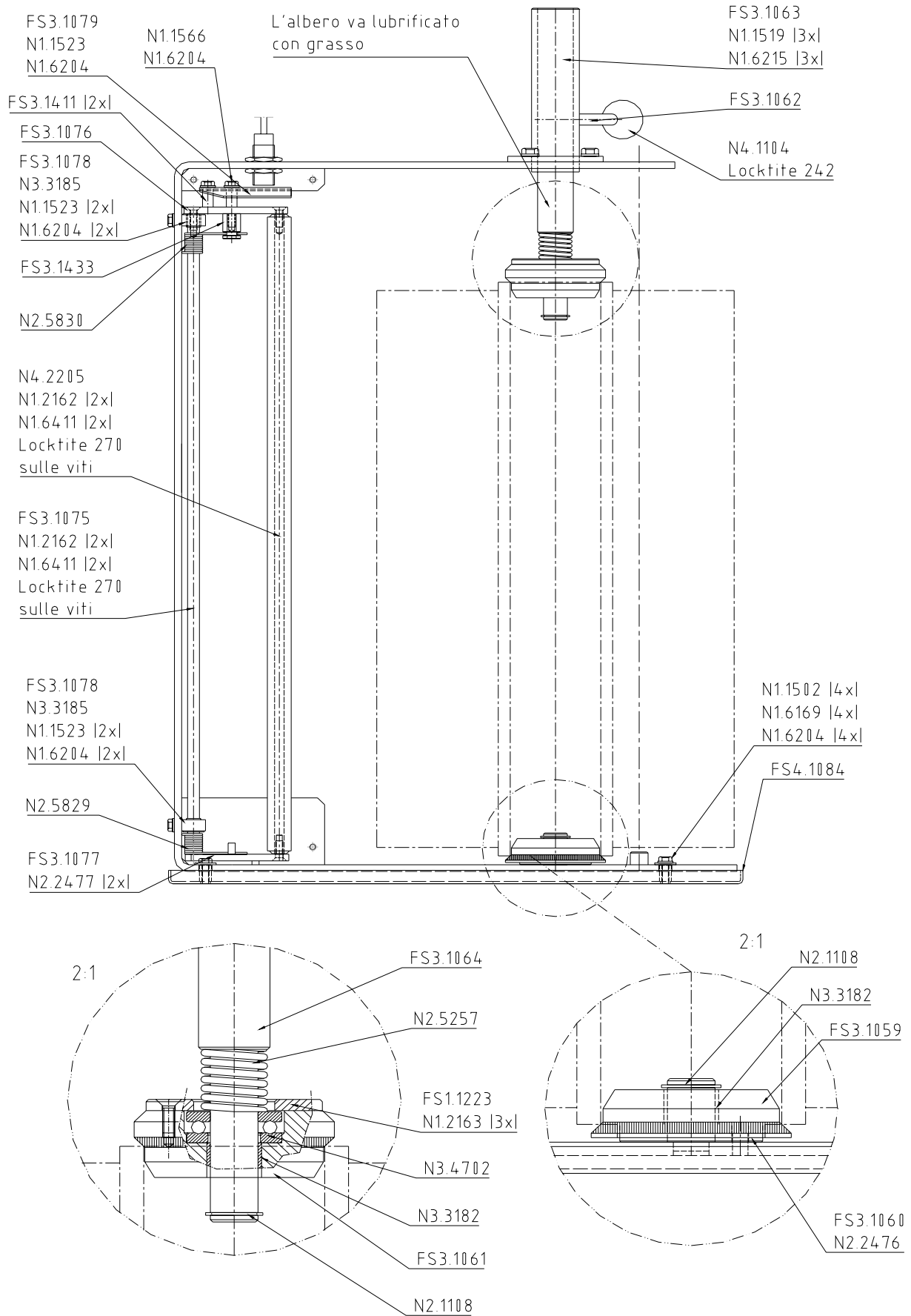
FS400/1650 STRETCH UNIT

N4.3207	1	Timing belt	16 AT/5-660
N4.3209	1	Timing belt	16 AT/5-990
N5.1169	2	Motor 0.37kW	
N5.2329	1	Limit switch	
N5.2330	1	Limit switch bi-directional	
N5.2341	1	Limit switch	
N5.2342	1	Limit switch	
N5.2405	1	Operator lever	
N5.2635	1	Photoelectric sensor	
N5.3331	3	Cable gland	PG11
N5.3332	1	Cable gland	PG13,5



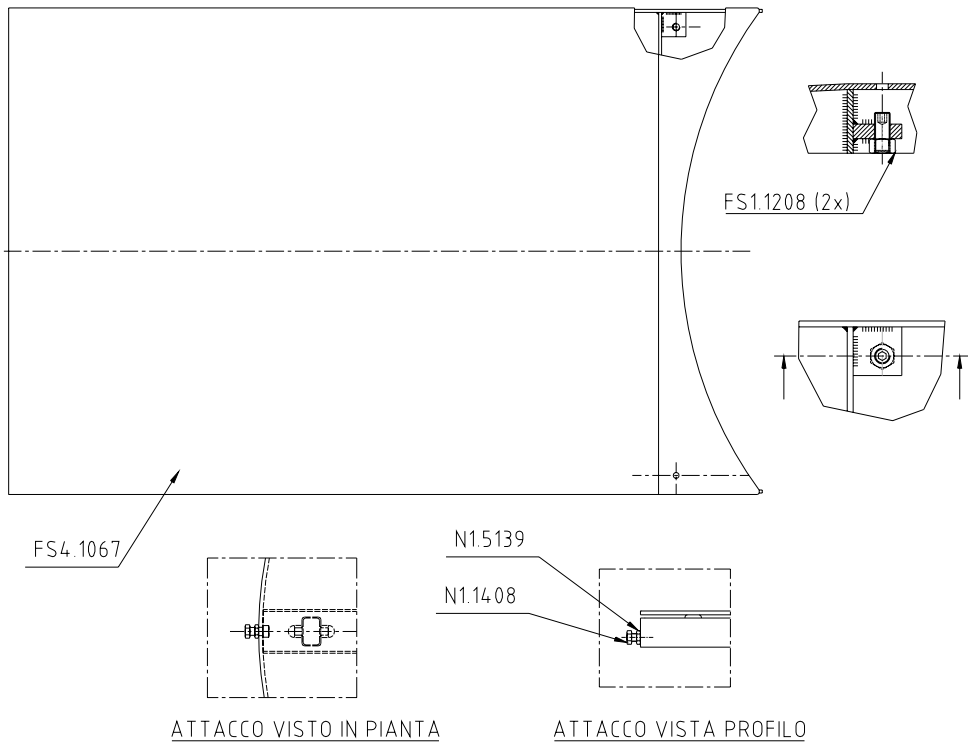
PART STRETCH UNIT FS400 -
FS400 - 401 - 402 - 403





FS400/1650 RAMP

Part no.	Quantity	Description	Description
FS1.1208	2	Foot, subassembly	
FS4.1067	1	Ramp, subassembly	
N1.1408	1	Bolt DIN 933	M16x40
N1.5139	1	Hex nut DIN 936	M16



FS400/1650 ELECTRICAL CABINET

Part no.	Quantity	Description	Description
FS4.1208	1	Power in cable	
FS4.1209	1	Table motor cable	
FS4.1213	1	Connection box cable	
FS4.1214	1	Film M2 motor cable	
FS4.1215	1	Film M1 motor cable	
FS4.1231	1	Flat cable	
FS4.1232	1	Cabinet empty	
FS4.1233	1	Carriage motor inverter	
FS4.1234	2	Film spool motor inverter	
FS4.1235	1	Table motor inverter	
FS4.1236	1	Terminal bar	
N1.1320	2	Screw	M3X16
N1.1809	2	Screw	M4X20
N1.1915	4	Screw	M4x8
N1.1921	12	Screw	M4X10
N1.5120	6	Hwx nut	M3
N1.5124	2	Hex nut	M4
N1.6115	14	Washer	M4
N1.6154	6	Washer	M3
N1.6412	8	Serrated washer	M4
N4.9192	1	Label	
N41.9156	1	Label FROMM	
N5.1439	1	Transformer	
N5.2269	1	Operator	
N5.2271	1	Switch body for load break switch	
N5.2280	1	Extend shaft	
N5.2281	1	Block	
N5.3329	1	Cable gland	PG7
N5.3332	5	Cable gland	PG13,5
N5.3333	1	Cable gland	PG16
N5.3334	4	Cap	PG7
N5.3336	1	Cap	PG11
N5.3627	5	Plastic hex nut	PG7
N5.3629	1	Plastic hex nut	PG11
N5.3630	5	Plastic hex nut	PG13,5
N5.3631	1	Plastic hex nut	PG16
N5.3810	4	Spacer	M4X8
N5.5273	1	Auxiliary switch	
N5.5462	1	Buzzer	
N5.6115	1	Earth terminal	
N5.7172	1	Keyboard	
N5.7173	1	Electronic PLC	
N51.2217	1	Round yellow label	
N51.2218	1	Mushroom push botton	
N51.2219	1	Protection cover	
N51.5219	3	Thermal overload circuit breaker	
N51.5220	1	Power contactor	

PARTS ELECTRICAL CABINET
FS400 – 401

