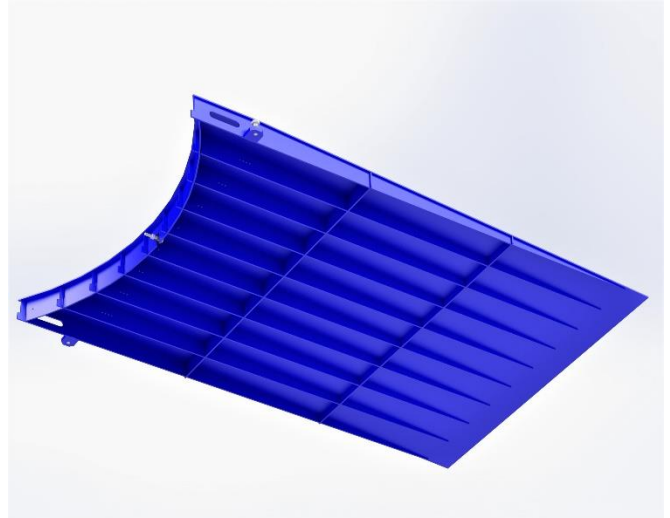
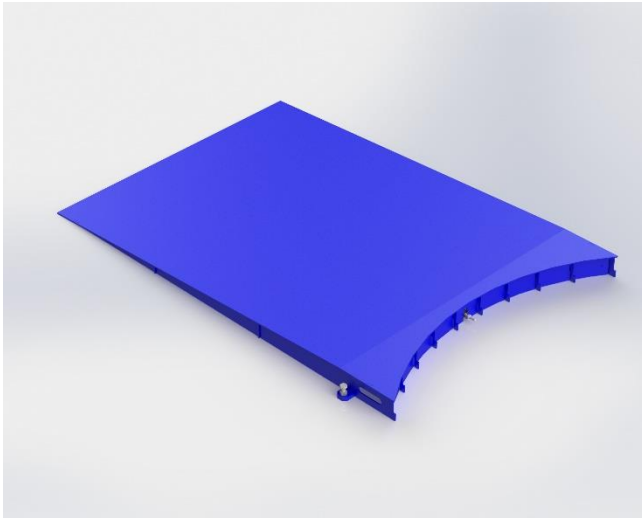


TDS-RAMPS FOR FS360 CODE FS4.0237A and FS4.0238A



Main features

- Easy to assembly even on already sold machines
- Designed for FS360 machines painted with the same color
- Use it to easily load and unload heavy pallets onto stretch wrap machines using manual pallet jacks
- Strong structure to avoid deformation
- Integrated bolts to regulate the height of the ramp
- Possibility to fix in 3 different side of the turntable

FS4.0238A for turntable diameter 1650

FS4.0237A for turntable diameter 1650

