

Tavola Rotante - Palo

Turntable - Mast

FS335

FS370

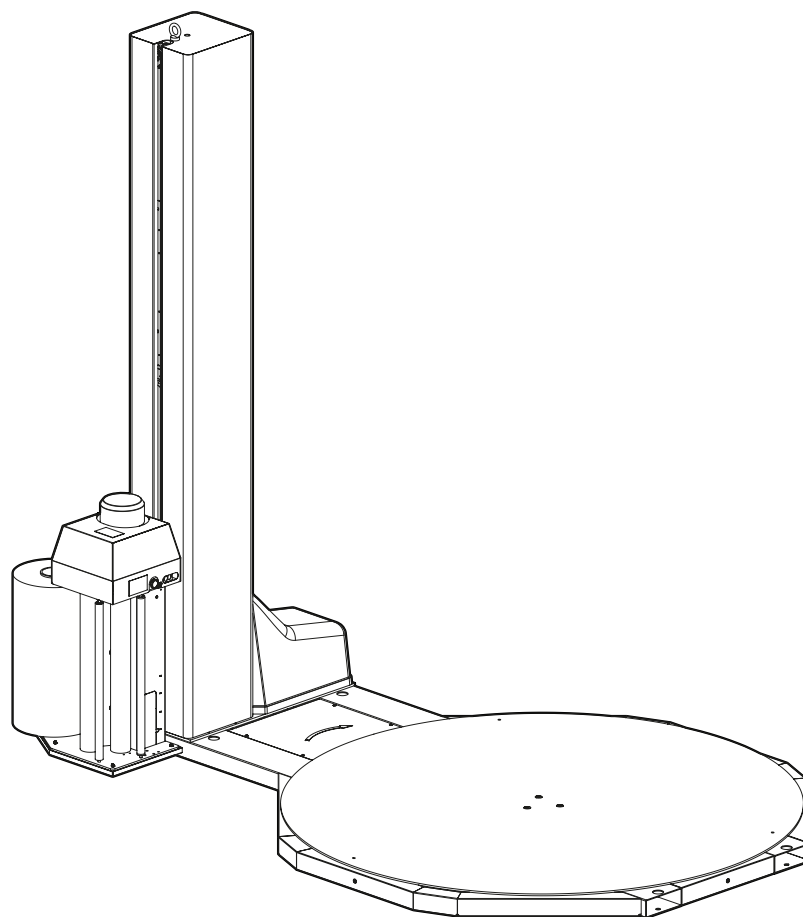
FS340-350-380-385

Catalogo ricambi

Spare parts catalogue

Fromm Holding AG

Hinterbergstrasse 26
6312 Steinhausen
Switzerland

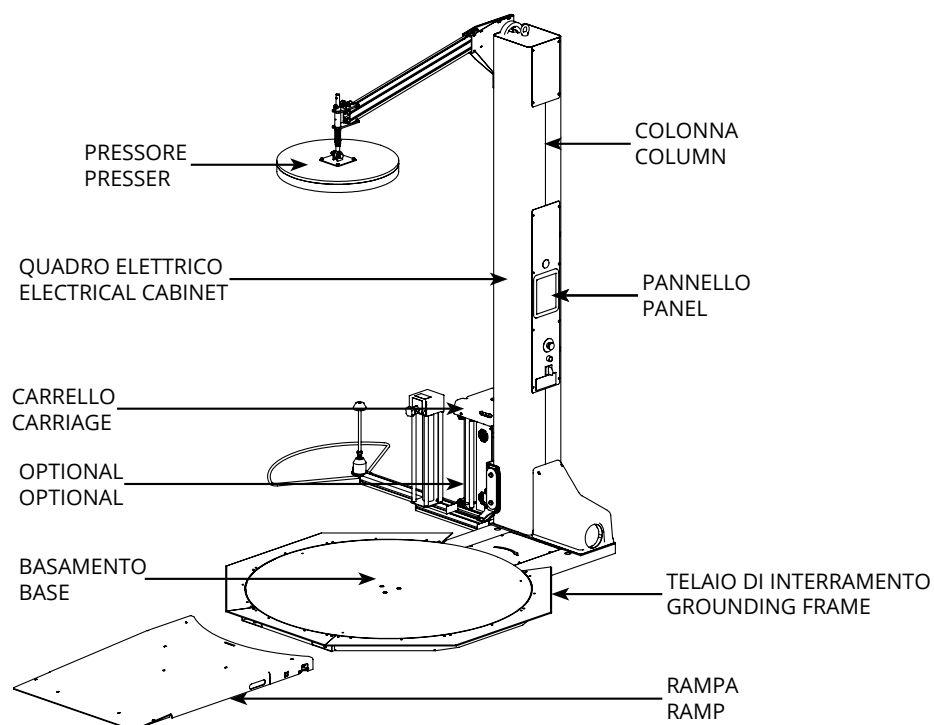


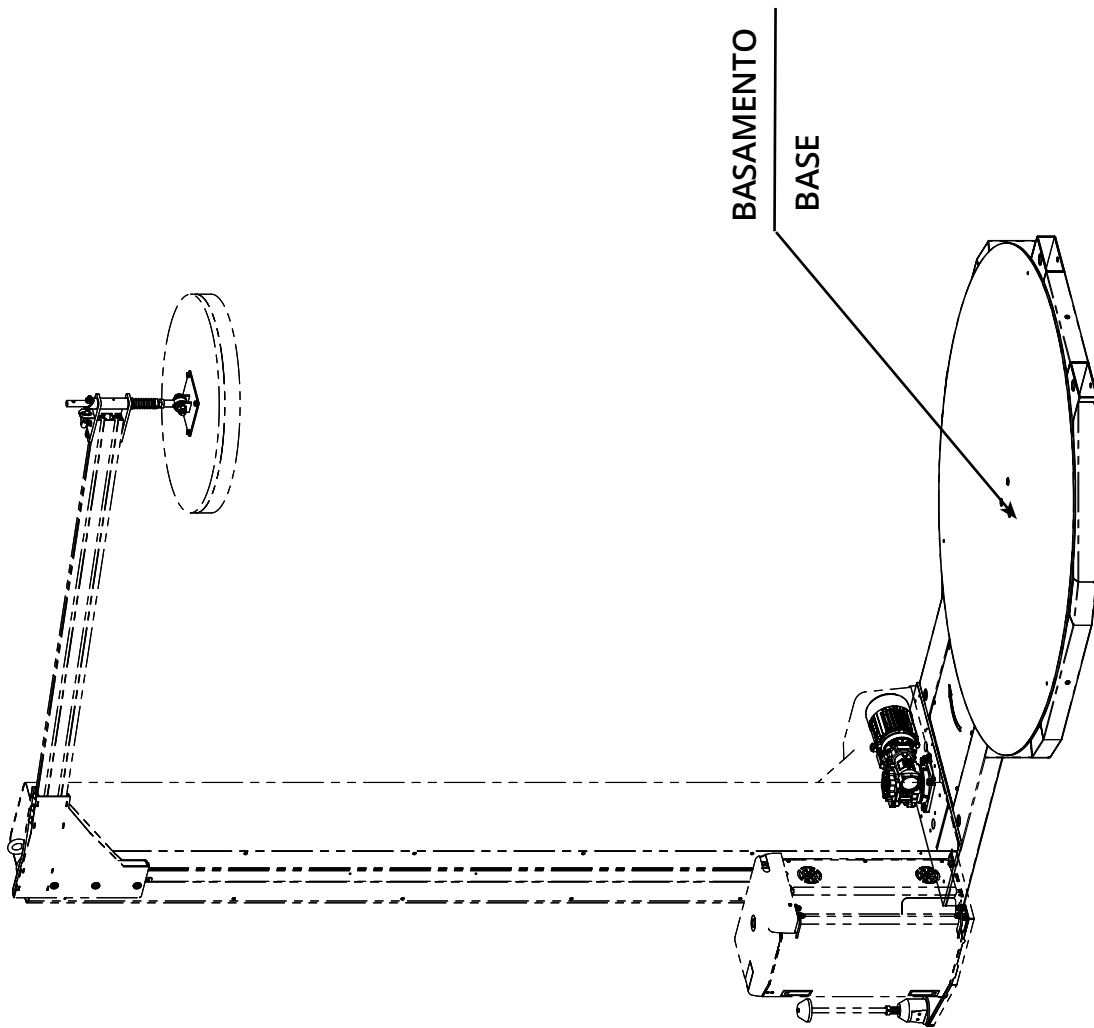
Sommario

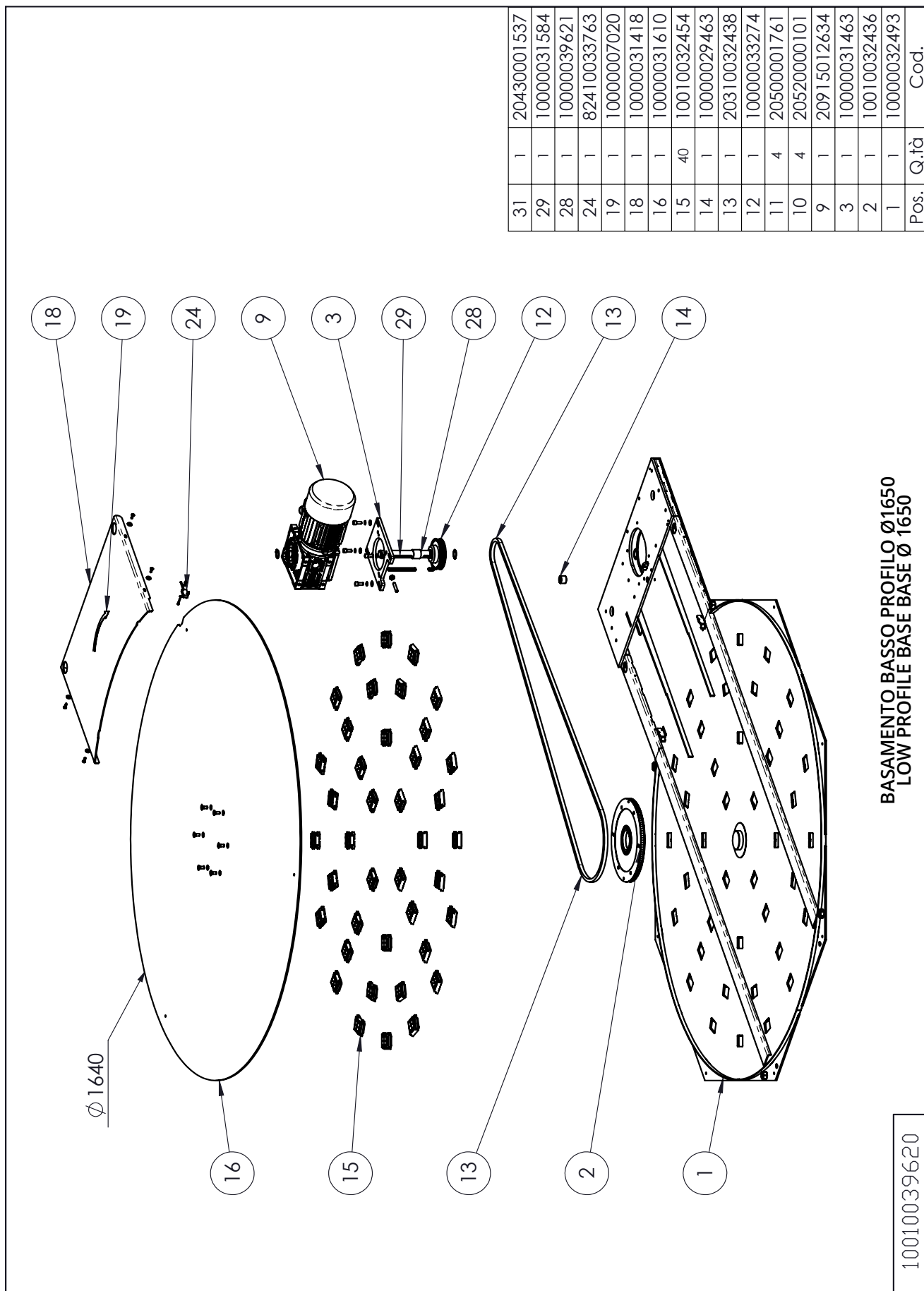
BASAMENTO	
BASE.....	pag. 5
BASAMENTO BASSO PROFILO Ø1650	
LOW PROFILE BASE BASE Ø 1650.....	pag. 6
BASAMENTO Ø1500	
BASE Ø1500.....	pag. 7
BASAMENTO Ø1650	
BASE Ø 1650.....	pag. 8
BASAMENTO Ø1500	
BASE Ø1500.....	pag. 9
BASAMENTO Ø1650	
BASE Ø1650.....	pag. 10
BASAMENTO Ø1800	
BASE Ø 1800.....	pag. 11
BASAMENTO Ø2200	
BASE Ø 2200.....	pag. 12
BASAMENTO Ø2400	
BASE Ø2400.....	pag. 13
BASAMENTO TRANSPALLET Ø1650	
TRANSPALLET BASE Ø1650.....	pag. 14
BASAMENTO TRANSPALLET Ø1800	
TRANSPALLET BASE Ø1800.....	pag. 15
RUOTA DI TRASCINAMENTO	
DRIVE WHEEL.....	pag. 16
BASAMENTO Ø1500 ALLUNGATO	
EXTENDED BASE Ø 1500.....	pag. 17
BASAMENTO Ø1650 ALLUNGATO	
EXTENDED BASE Ø1650.....	pag. 18
BASAMENTO Ø1800 ALLUNGATO	
EXTENDED BASE Ø1800.....	pag. 19
BASAMENTO Ø2200 ALLUNGATO	
EXTENDED BASE Ø2200.....	pag. 20
BASAMENTO Ø2400 ALLUNGATO	
EXTENDED BASE Ø2400.....	pag. 21
BASAMENTO Ø1500 3000Kg	
BASE Ø1500 3000Kg.....	pag. 22
BASAMENTO Ø1650 3000Kg	
BASE Ø1650 3000Kg.....	pag. 23
BASAMENTO Ø1800 3000Kg	
BASE Ø1800 3000Kg.....	pag. 24
BASAMENTO Ø2200 3000Kg	
BASE Ø2200 3000Kg.....	pag. 25
BASAMENTO Ø1650 PESATURA	
WEIGHING BASE Ø1650.....	pag. 26
BASAMENTO Ø1800 PESATURA	
WEIGHING BASE Ø1800.....	pag. 27
BASAMENTO Ø2200 PESATURA	
WEIGHING BASE Ø2200.....	pag. 28
BASAMENTO Ø2400 PESATURA	
WEIGHING BASE Ø2400.....	pag. 29
BASAMENTO TRANSPALLET Ø1650 PESATURA	
WEIGHING TRANSPALLET BASE Ø1650.....	pag. 30
BASAMENTO TRANSPALLET Ø1800 PESATURA	
WEIGHING TRANSPALLET BASE Ø1800.....	pag. 31
BASAMENTO Ø1650 PESATURA 3000Kg	
WEIGHING BASE Ø1650 3000Kg.....	pag. 32
BASAMENTO Ø1800 PESATURA 3000Kg	
WEIGHING BASE Ø1800 3000Kg.....	pag. 33
BASAMENTO Ø2200 PESATURA 3000Kg	
WEIGHING BASE Ø2200 3000Kg.....	pag. 34
DISPLAY BILANCIA	
WEIGHING DISPLAY.....	pag. 35
DISPLAY BILANCIA	
WEIGHING DISPLAY.....	pag. 36
DISPLAY BILANCIA	
WEIGHING DISPLAY.....	pag. 37
COLONNA	
COLUMN.....	pag. 38
COLONNA H=2000	
COLUMN H=2000.....	pag. 39
COLONNA H=2300	
COLUMN H=2300.....	pag. 40

COLONNA H=2500	
COLUMN H=2500	pag. 41
COLONNA PESANTE H=2500	
HEAVY COLUMN H=2500	pag. 42
COLONNA PESANTE H=3000	
HEAVY COLUMN H=3000	pag. 43
COLONNA PESANTE H=3300	
HEAVY COLUMN H=3300	pag. 44
COLONNA PESANTE H=3700	
HEAVY COLUMN H=3700	pag. 45
QUADRO ELETTRICO	
ELECTRICAL CABINET	pag. 46
QUADRO ELETTRICO	
ELECTRICAL CABINET	pag. 47
QUADRO ELETTRICO	
ELECTRICAL CABINET	pag. 48
QUADRO ELETTRICO	
ELECTRICAL CABINET	pag. 49
PANNELLO QUADRO	
ELECTRICAL PANEL	pag. 51
PANNELLO QUADRO ELETTRICO FS335	
FS335 ELECTRICAL PANEL	pag. 54
PANNELLO COMANDI FS335	
FS335 CONTROL PANEL	pag. 55
PANNELLO QUADRO ELETTRICO FS370 - FS340-350-380-385	
FS370 - FS340-350-380-385 ELECTRICAL PANEL	pag. 56
PANNELLO COMANDI FS370 - FS340-350-380-385	
FS370 - FS340-350-380-385 CONTROL PANEL	pag. 57
CARRELLO	
CARRIAGE	pag. 59
CARRELLO FM(MB)	
FM(MB) CARRIAGE	pag. 60
CARRELLO FE(EB)	
FE(EB) CARRIAGE	pag. 61
TELAIO CARRELLO FE-FM(EB-MB)	
FE-FM(EB-MB) CARRIAGE FRAME	pag. 62
RULLO GOMMATO	
RUBBER ROLLER	pag. 63
SUPPORTO RULLO FRENATO FM(MB)	
FM(MB) BRAKE ROLLER HOLDER	pag. 64
RULLO FRENATO	
BRAKE ROLLER	pag. 65
SUPPORTO RULLO FRENATO FE(EB)	
FE(EB) BRAKE ROLLER HOLDER	pag. 66
CARRELLO PRS(MPS)	
PRS(MPS) CARRIAGE	pag. 67
CARRELLO PS(MPS2)	
PS(MPS2) CARRIAGE	pag. 68
TELAIO CARRELLO PRS-PS(MPS-MPS2)	
PRS-PS(MPS-MPS2) CARRIAGE FRAME	pag. 69
CARRELLO 1PRS(EMPS)	
1PRS(EMPS) CARRIAGE	pag. 70
PRESSORE	
PRESSER	pag. 71
PRESSORE	
PRESSER	pag. 72
BRACCIO MOBILE	
MOBILE ARM	pag. 73
MOTORIZZAZIONE PRESSORE	
PRESSER MOTORIZATION	pag. 74
SUPPORTO PIATTO	
PLATE SUPPORT	pag. 75
PIATTO PRESSORE	
PRESSER PLATE	pag. 76
OPTIONAL	
OPTIONAL	pag. 77
PORTA PLURIBALL	
PLURIBALL HOLDER	pag. 78
TAGLIO CARRELLI PRESTIRO	
PRE-STRETCH CARRIAGE CUTTING UNIT	pag. 79
TAGLIO CARRELLI CON FRENO	
BRAKE CARRIAGE CUTTING UNIT	pag. 80
STRINGIFASCIA MANUALE	

MANUAL ROPING DEVICE.....	pag. 81
STRINGIFASCIA MANUALE	
MANUAL ROPING DEVICE.....	pag. 82
STRINGIFASCIA MANUALE	
MANUAL ROPING DEVICE.....	pag. 83
STRINGIFASCIA AUTOMATICO	
AUTOMATIC ROPING DEVICE.....	pag. 84
MOTORIZZAZIONE STRINGIFASCIA	
ROPING DEVICE MOTORIZATION.....	pag. 85
KIT MISURAZIONE CONSUMO FILM ESTENSIBILE	
STRETCH FILM CONSUMPTION MEASUREMENT KIT.....	pag. 86
KIT MISURAZIONE CONSUMO FILM ESTENSIBILE	
STRETCH FILM CONSUMPTION MEASUREMENT KIT.....	pag. 87
KIT MISURAZIONE CONSUMO FILM ESTENSIBILE	
STRETCH FILM CONSUMPTION MEASUREMENT KIT.....	pag. 88
GUIDA PER CARELLO	
CARRIAGE GUIDE.....	pag. 89
RAMPA	
RAMP.....	pag. 90
RAMPE STANDARD	
STANDARD RAMPS.....	pag. 91
RAMPE RINFORZATE	
REINFORCED RAMPS.....	pag. 92
RAMPE ALLUNGATE	
EXTENDED RAMPS.....	pag. 93
RAMPE PER PESATURA	
WEIGHING RAMPS.....	pag. 94
RAMPE BASSO PROFILO	
LOW PROFILE RAMP.....	pag. 95
TELAIO DI SOLLEVAMENTO	
LIFTING FRAMES.....	pag. 96
TELAIO SOLLEVAMENTO PER PESATURA	
WEIGHING LIFTING FRAMES.....	pag. 97
TELAIO DI INTERRAMENTO	
GROUNDING FRAME.....	pag. 98
TELAIO DI INTERRAMENTO	
GROUNDING FRAMES.....	pag. 99
TELAIO DI INTERRAMENTO CON PESATURA	
WEIGHING GROUNDING FRAMES.....	pag. 100

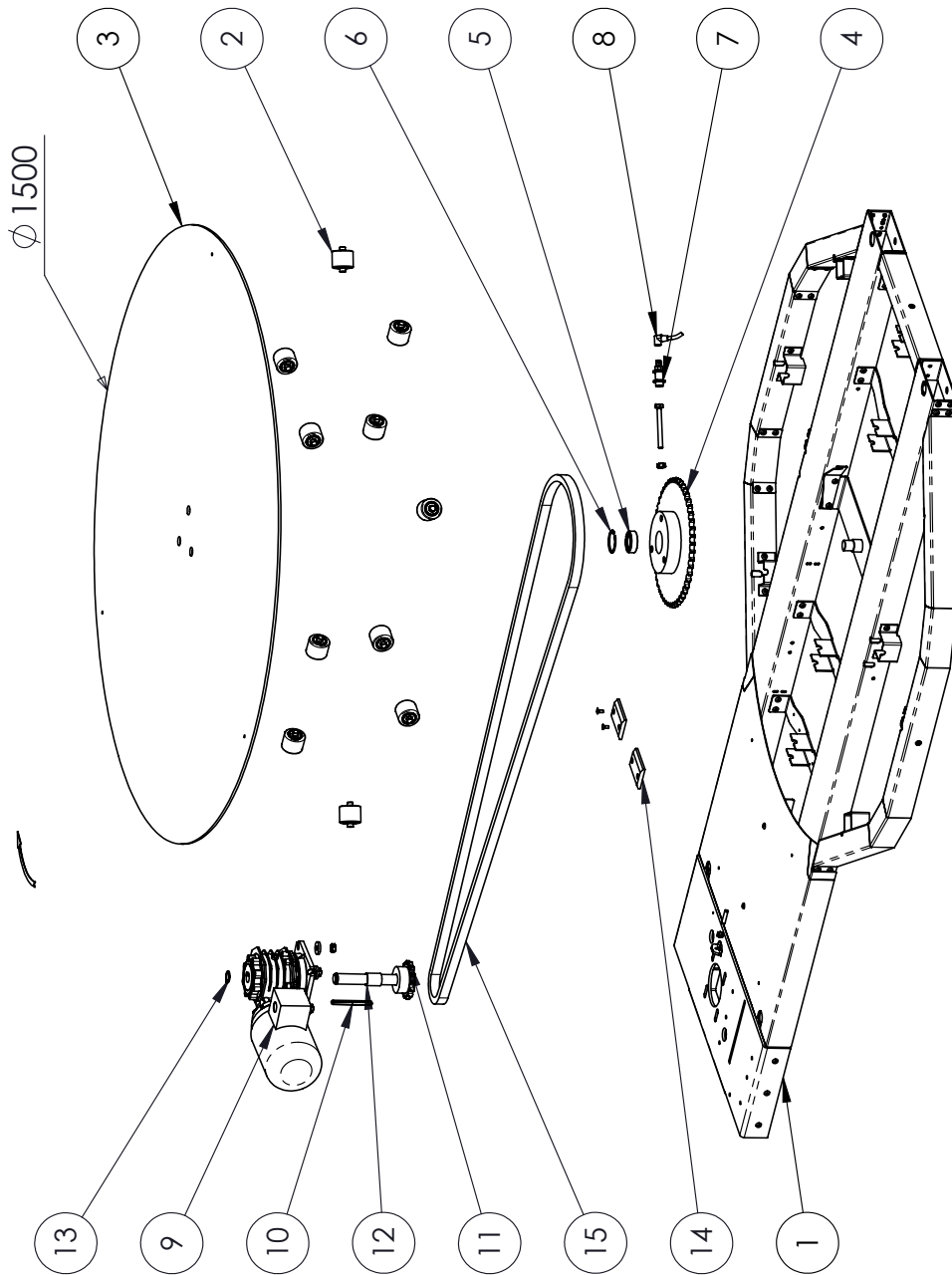






BASAMENTO BASSO PROFILO Ø1650
LOW PROFILE BASE Ø 1650

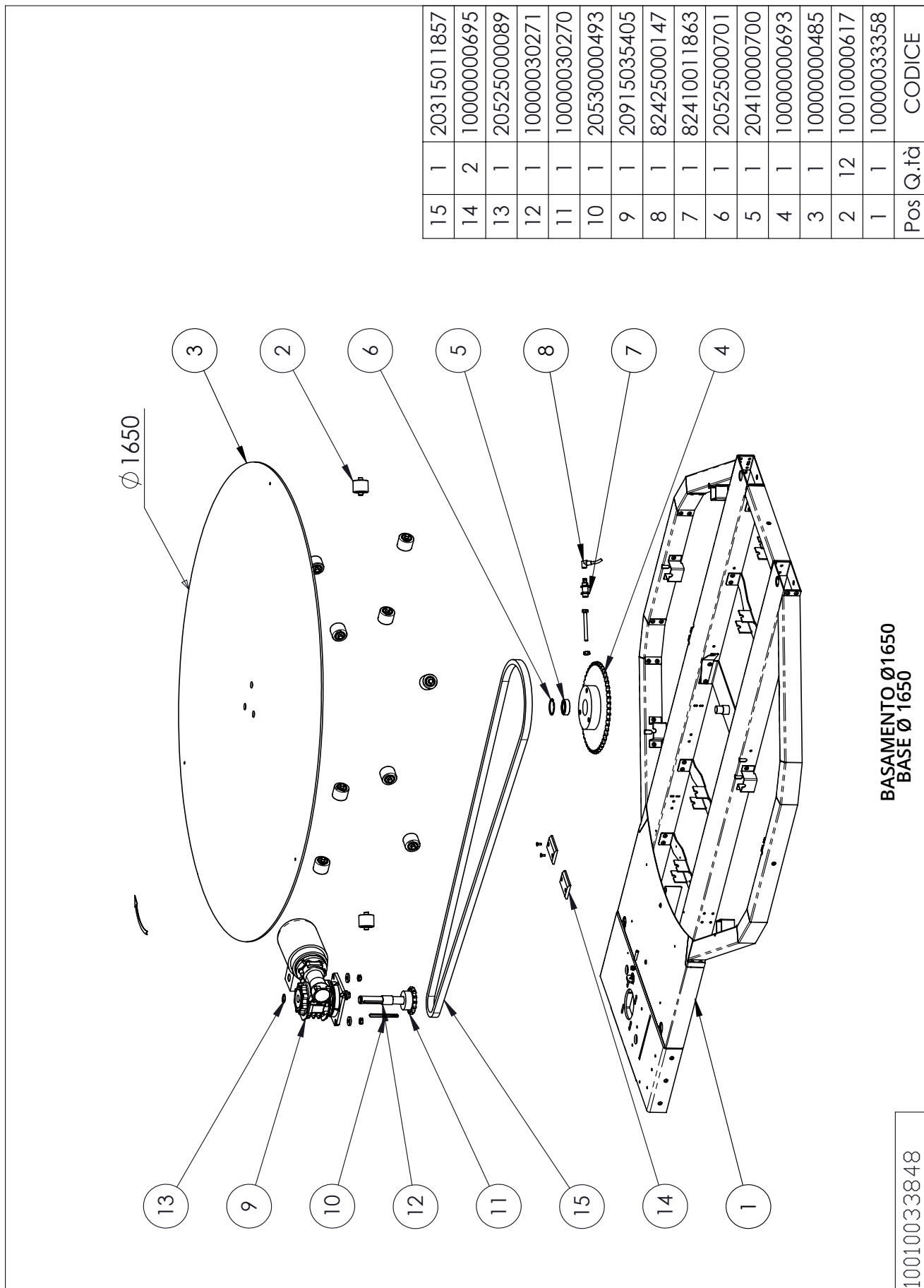
10010039620



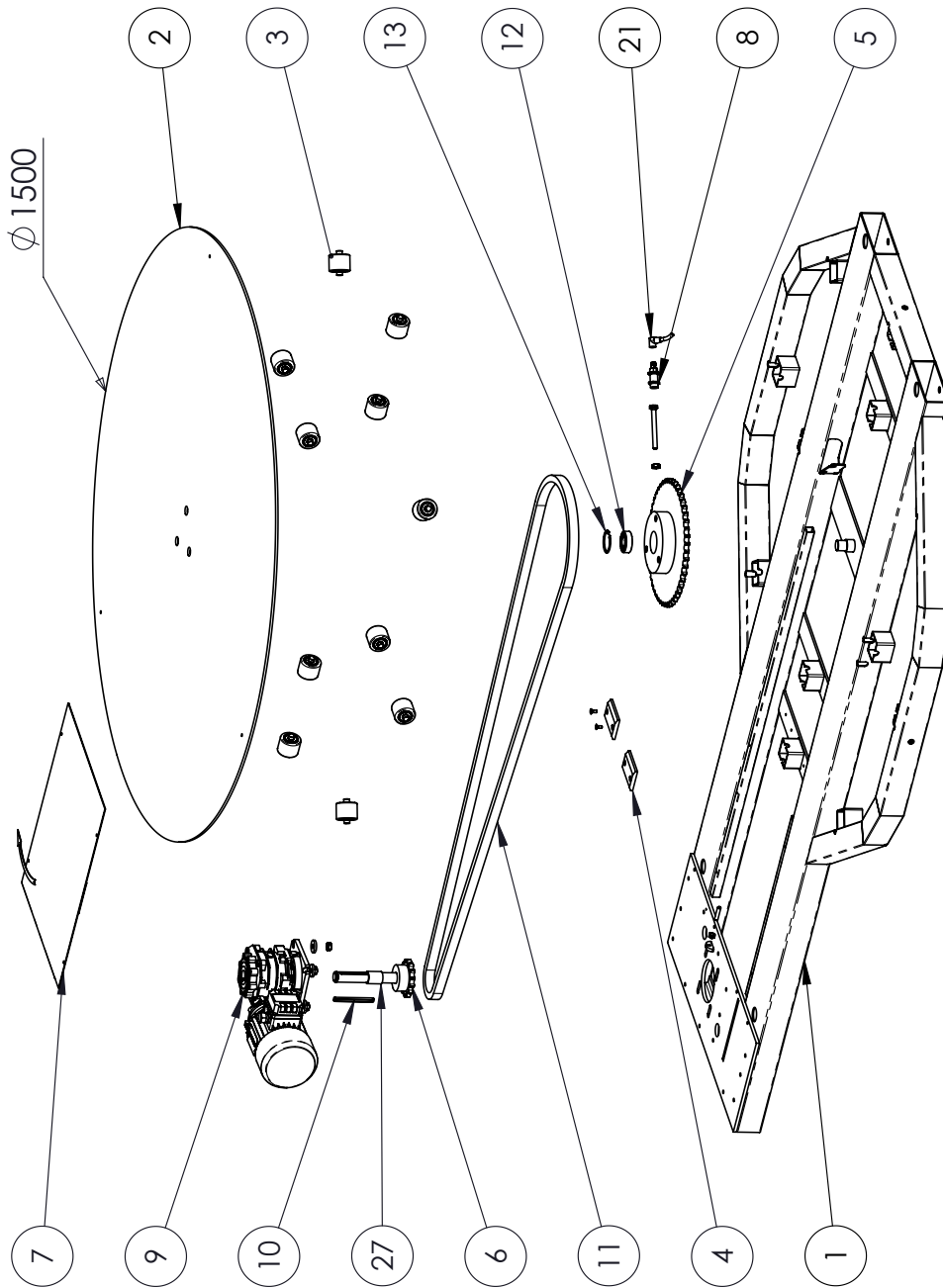
15	1	20315011910
14	2	10000000695
13	1	20525000089
12	1	10000030271
11	1	10000030270
10	1	20530000493
9	1	20915035405
8	1	82425000147
7	1	82410011863
6	1	20525000701
5	1	20410000700
4	1	10000000693
3	1	10000000510
2	12	10010000617
1	1	10000035539
Pos	Q.tà	CODICE

**BASAMENTO Ø1500
BASE Ø1500**

10010035546



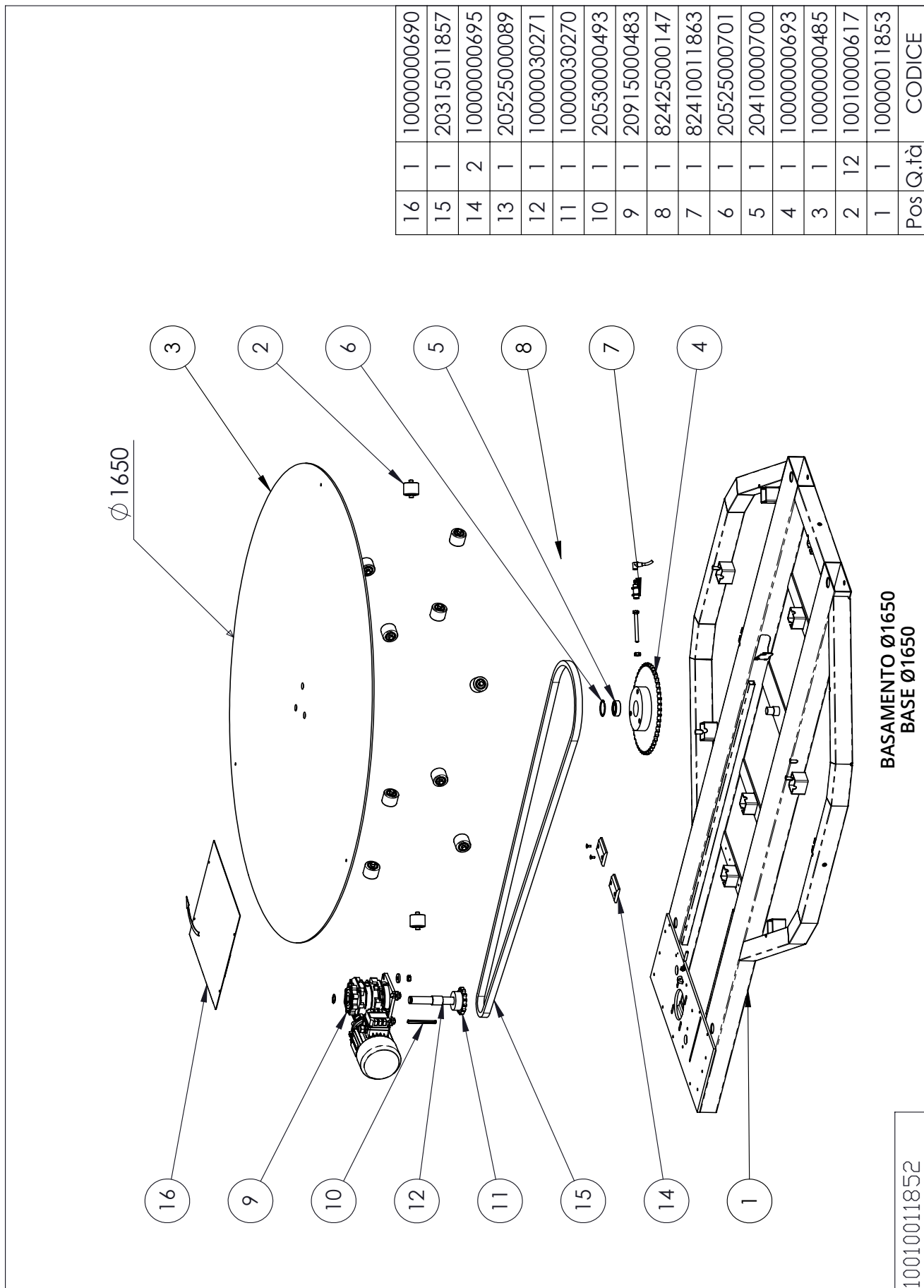
15	1	20315011857
14	2	1000000695
13	1	20525000089
12	1	10000030271
11	1	10000030270
10	1	20530000493
9	1	20915035405
8	1	82425000147
7	1	82410011863
6	1	20525000701
5	1	20410000700
4	1	1000000693
3	1	1000000485
2	12	10010000617
1	1	10000033358
Pos	Q.tà	CODICE



27	1	10000030271
21	1	82425000147
19	1	20525000089
13	1	20525000701
12	1	20410000700
11	1	20315011910
10	1	20530000493
9	1	20915000483
8	1	82410011863
7	1	10000000706
6	1	10000030270
5	1	10000000693
4	2	10000000695
3	12	10010000617
2	1	10000000510
1	1	10000011906
Pos	Q.tà	CODICE

**BASAMENTO Ø1500
BASE Ø1500**

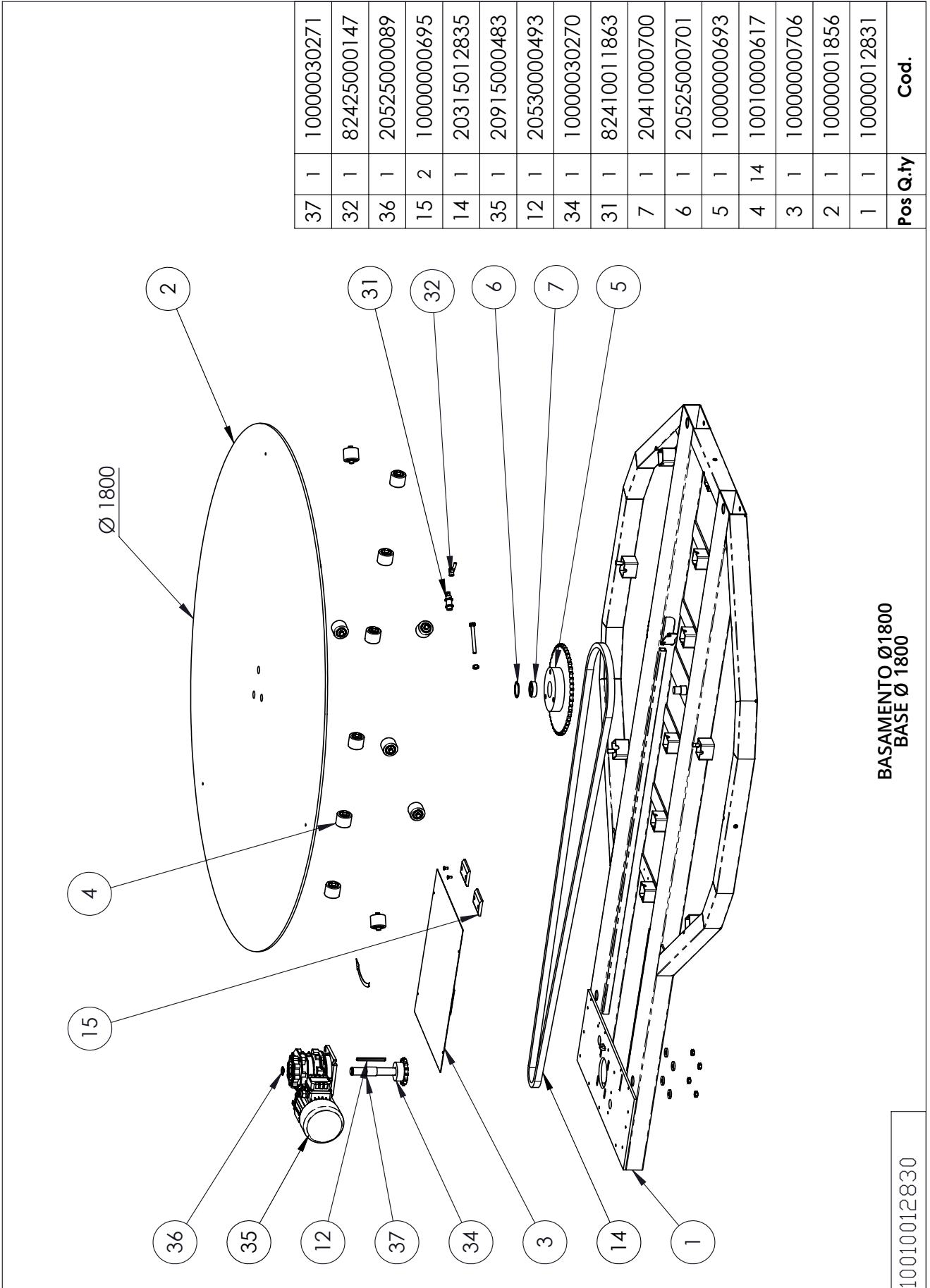
10010011902



16	1	10000000690
15	1	20315011857
14	2	10000000695
13	1	20525000089
12	1	10000030271
11	1	10000030270
10	1	20530000493
9	1	20915000483
8	1	82425000147
7	1	82410011863
6	1	20525000701
5	1	20410000700
4	1	10000000693
3	1	10000000485
2	12	10010000617
1	1	10000011853
Pos	Q.tà	CODICE

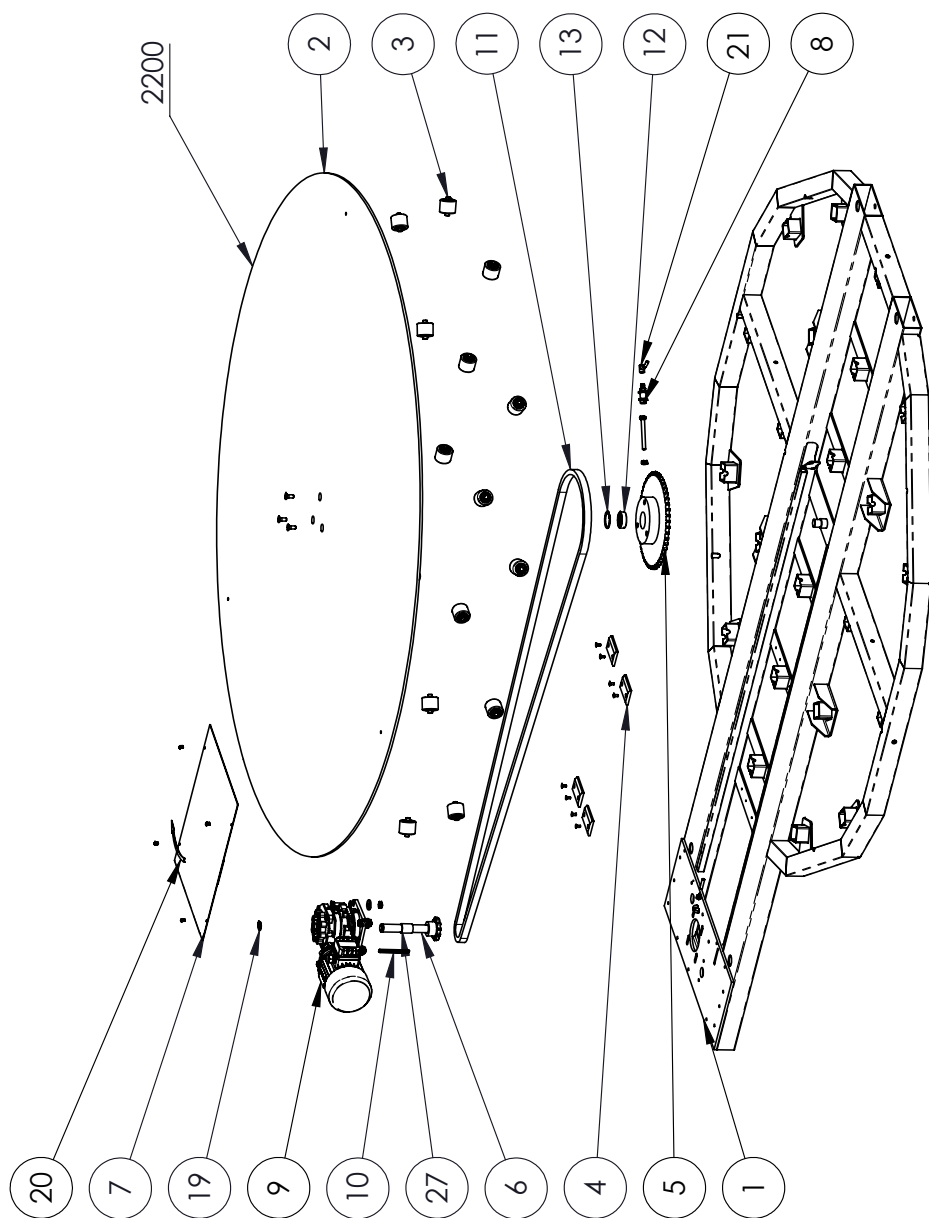
BASAMENTO Ø1650
BASE Ø1650

10010011852



BASAMENTO Ø1800
BASE Ø 1800

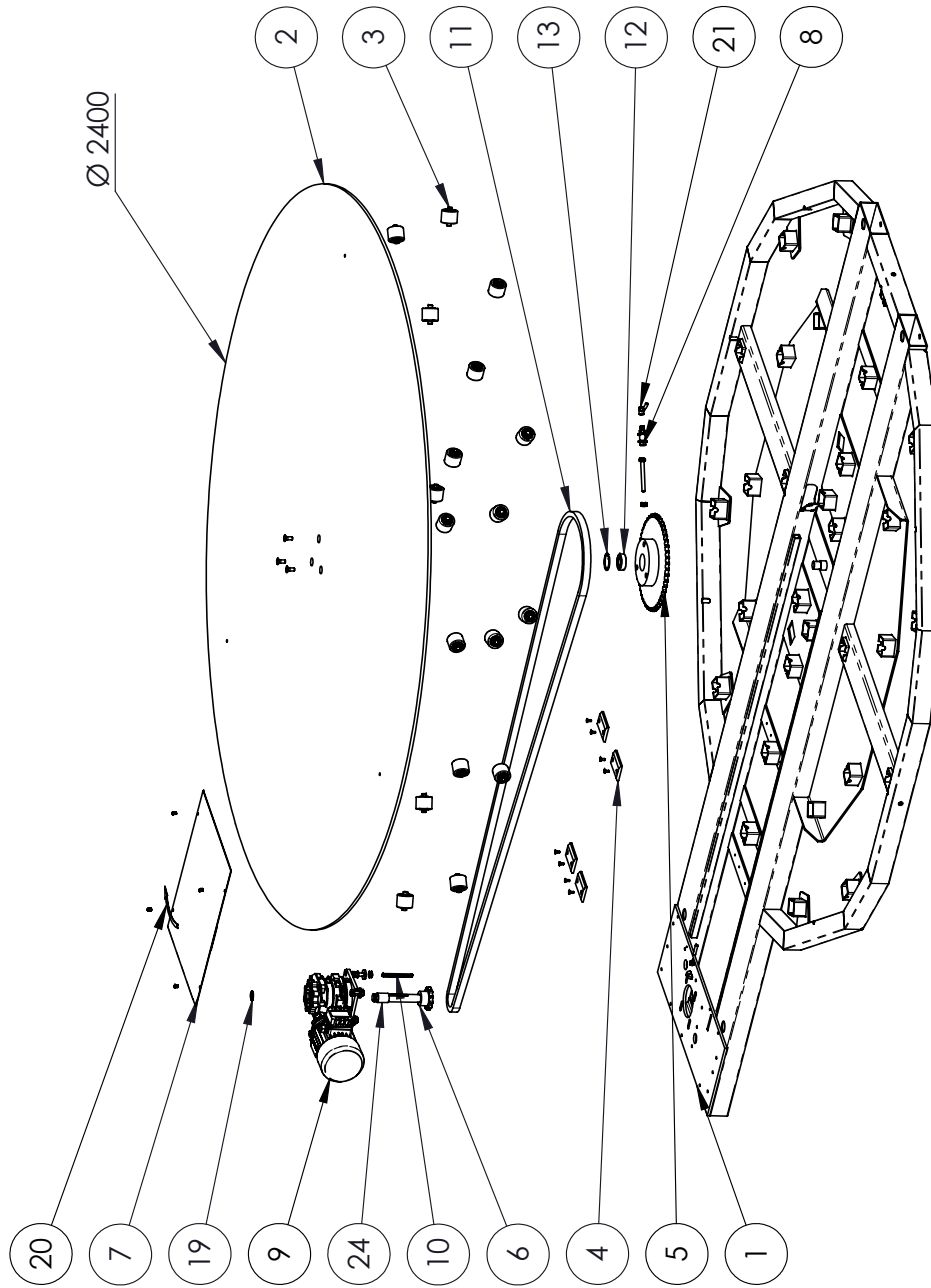
10010012830



27	1	10000030271
21	1	82425000147
20	1	10000007020
19	1	20525000089
13	1	20525000701
12	1	20410000700
11	1	20315022981
10	1	20530000493
9	1	20915000483
8	1	82410011863
7	1	10000000706
6	1	10000030642
5	1	10000000693
4	4	10000000695
3	22	10010000617
2	1	10000002468
1	1	10000014235
Pos	Q.tà	CODICE

BASAMENTO Ø2200
BASE Ø 2200

10010014234



24	1	10000030271
21	1	82425000147
20	1	10000007020
19	1	20525000089
13	1	20525000701
12	1	20410000700
11	1	20315028581
10	1	20530000493
9	1	20915000483
8	1	82410011863
7	1	10000000706
6	1	10000030642
5	1	10000000693
4	4	10000000695
3	30	10010000617
2	1	10000028571
1	1	10000028573
Pos	Q.tà	CODICE

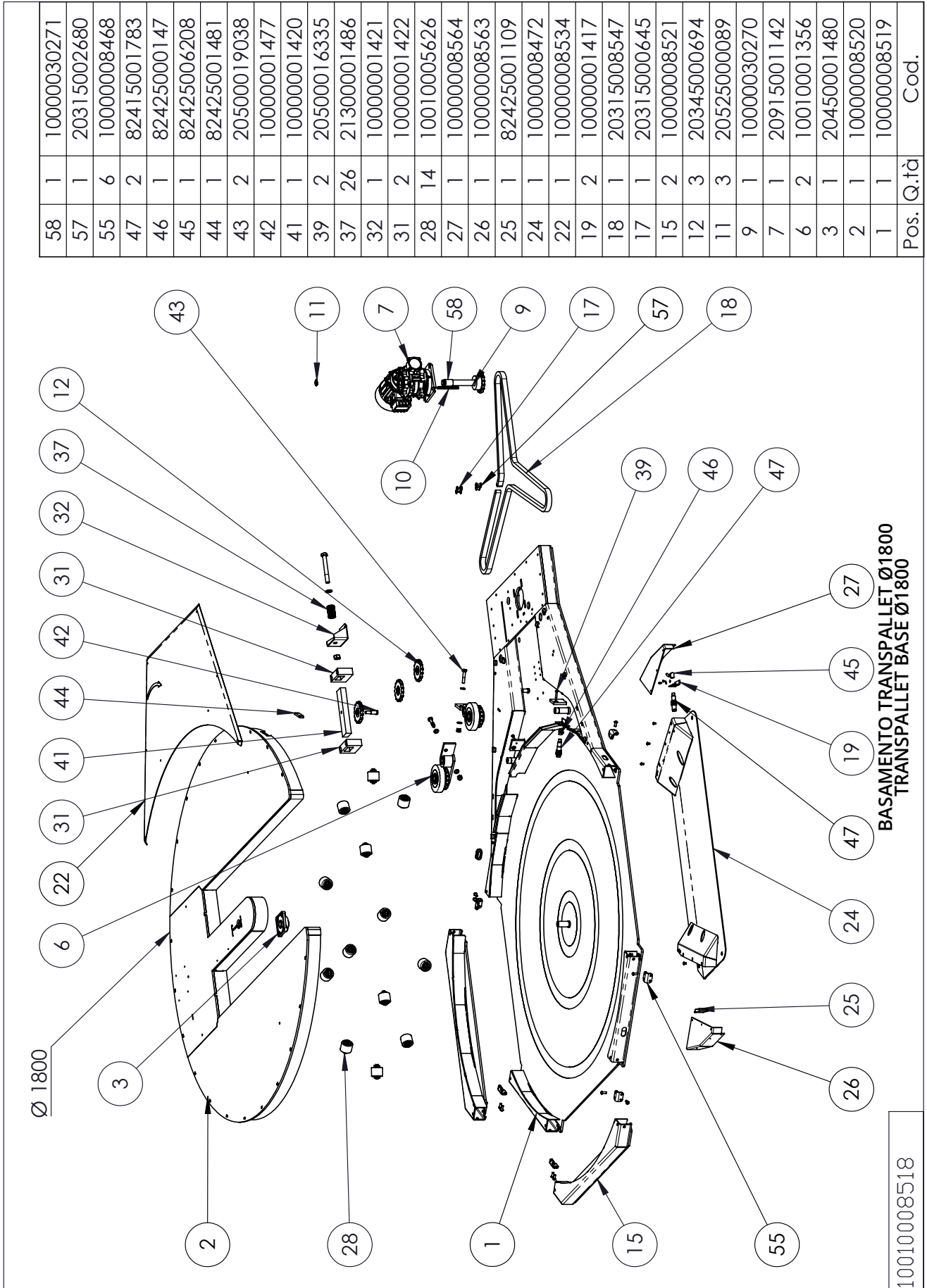
BASAMENTO Ø2400
BASE Ø2400

10010028568

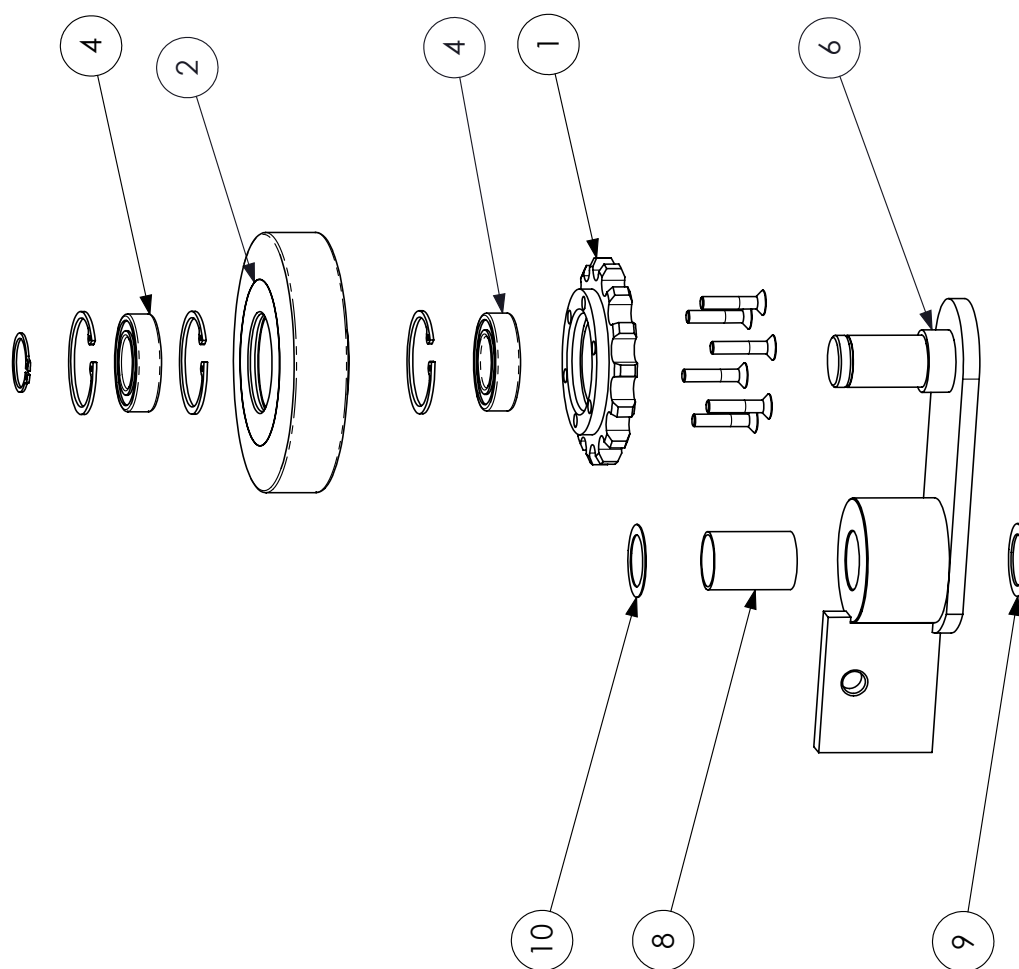
**BASAMENTO TRANSPALLET Ø1650
-
TRANSPALLET BASE Ø1650**

Pos.	Q.tà	Cod.
58	2	20500016335
57	2	20500019038
56	1	10000030271
55	1	20315002680
53	6	10000008468
45	2	82415001783
44	1	82425000147
43	1	82425006208
42	1	82425001481
40	1	10000001477
39	1	10000001420
37	26	21300001486
31	2	10000001422
28	12	10010005626
27	1	10000008478
26	1	10000008477
25	1	82425001109
24	1	10000008472
22	1	10000007950
19	2	10000001417
18	1	20315002855
17	1	20315000645
15	2	10000008079
12	3	20345000694
9	1	10000030270
7	1	20915001142
6	2	10010001356
3	1	20450001480
2	1	10000001330
1	1	10000008321

10010008320



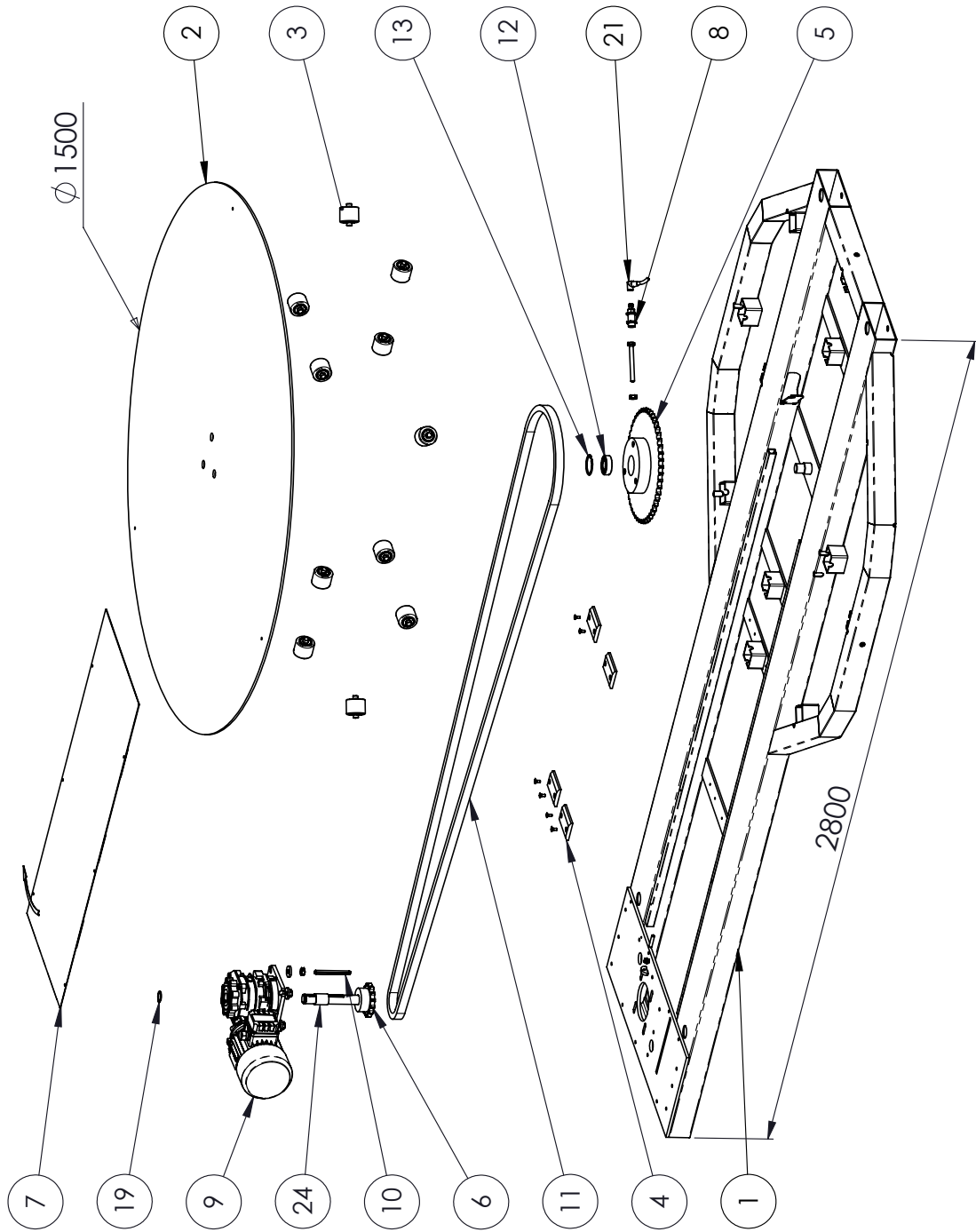
58	1	10000030271
57	1	20315002680
55	6	10000008468
47	2	82415001783
46	1	82425000147
45	1	82425006208
44	1	82425001481
43	2	20500019038
42	1	10000001477
41	1	10000001420
39	2	20500016335
37	26	21300001486
32	1	10000001421
31	2	10000001422
28	14	10010005626
27	1	10000008564
26	1	10000008563
25	1	82425001109
24	1	10000008472
22	1	10000008534
19	2	10000001417
18	1	20315008547
17	1	20315000645
15	2	10000008521
12	3	20345000694
11	3	20525000089
9	1	10000030270
7	1	20915001142
6	2	10010001356
3	1	20450001480
2	1	10000008520
1	1	10000008519
Pos.	Q.tà	Cod.



10	1	20430002167
9	1	20430001537
8	1	20440001539
6	1	10000001355
4	2	20410001354
2	1	10000001347
1	1	10000001352
Pos	Q.ty	Cod.

RUOTA DI TRASCINAMENTO
DRIVE WHEEL

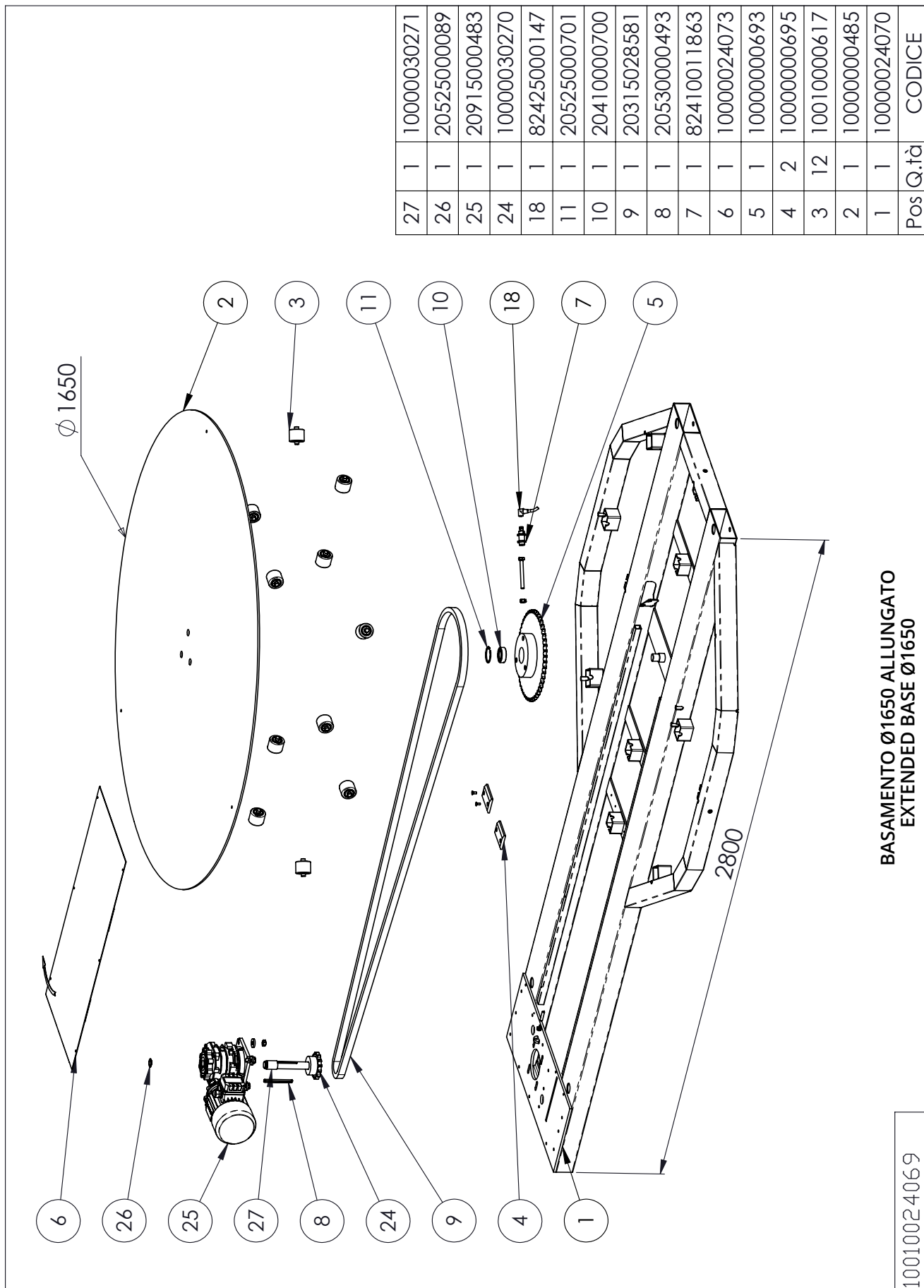
10010001356



24	1	10000030271
21	1	82425000147
19	1	20525000089
13	1	20525000701
12	1	20410000700
11	1	20315032302
10	1	20530000493
9	1	20915000483
8	1	82410011863
7	1	10000024840
6	1	10000030270
5	1	10000000693
4	4	10000000695
3	12	10010000617
2	1	10000000510
1	1	10000024838
Pos	Q.tà	CODICE

**BASAMENTO Ø1500 ALLUNGATO
EXTENDED BASE Ø1500**

10010024837



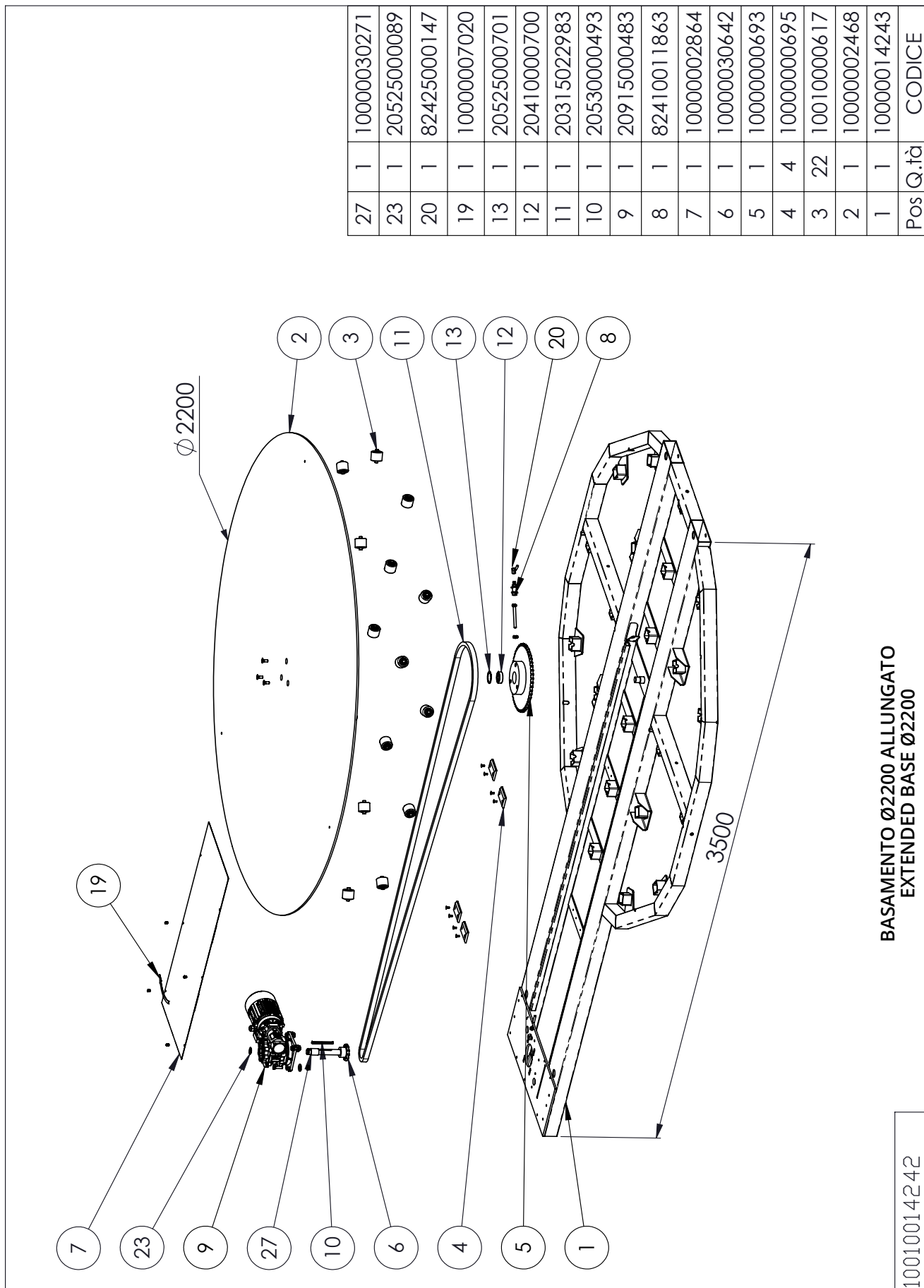
BASAMENTO Ø1650 ALLUNGATO
EXTENDED BASE Ø1650

10010024069

Pos.	Qtà	Cod.
25	1	82425000147
19	1	10000030271
13	4	10000000695
12	1	20315032296
11	1	20915000483
10	1	20530000493
9	1	10000030270
8	1	82410011863
7	1	20410000700
6	1	20525000701
5	1	10000000693
4	14	10010000617
3	1	10000002864
2	1	10000001856
1	1	10000018120

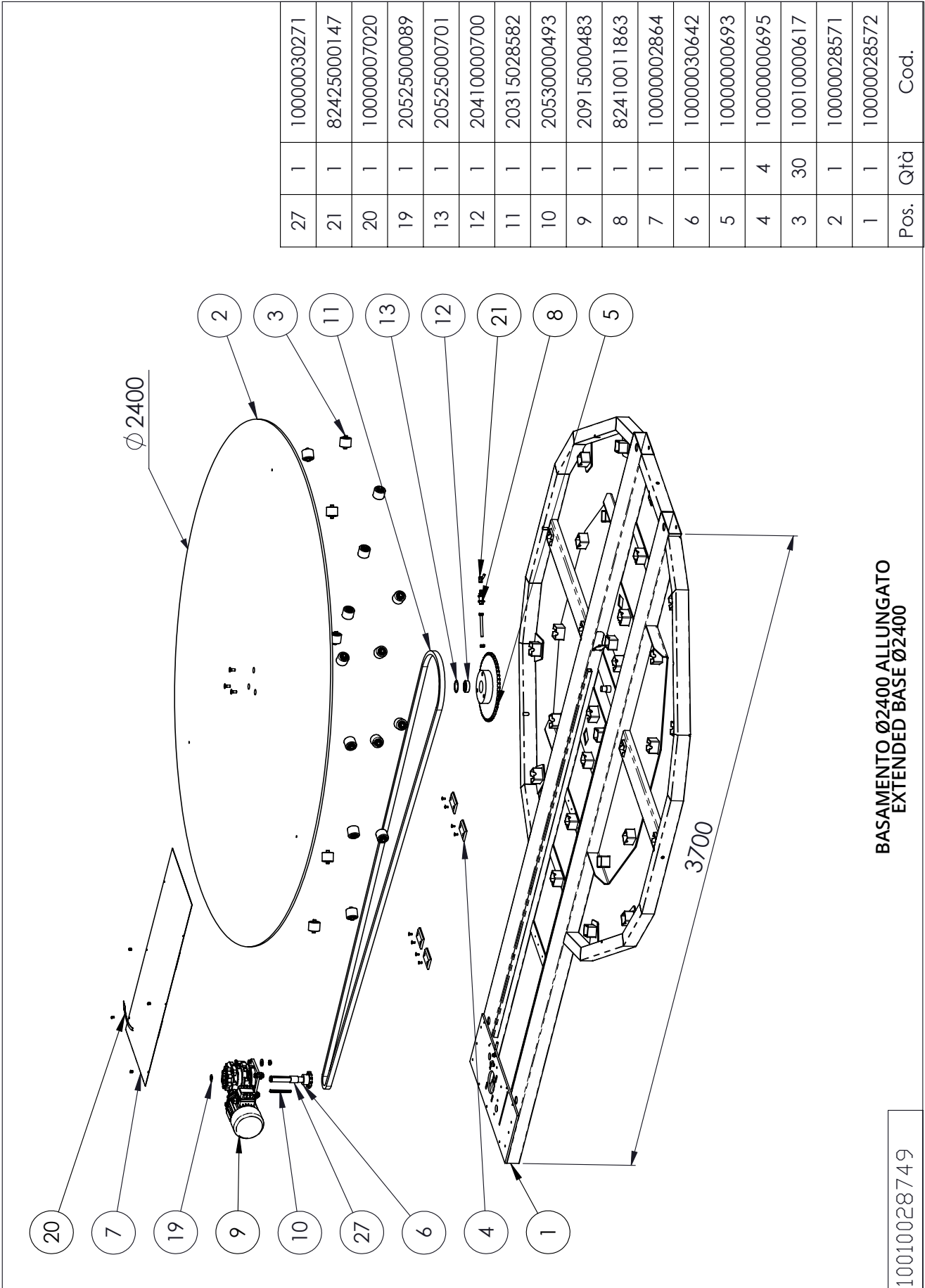
**BASAMENTO Ø1800 ALLUNGATO
EXTENDED BASE Ø1800**

10010018119



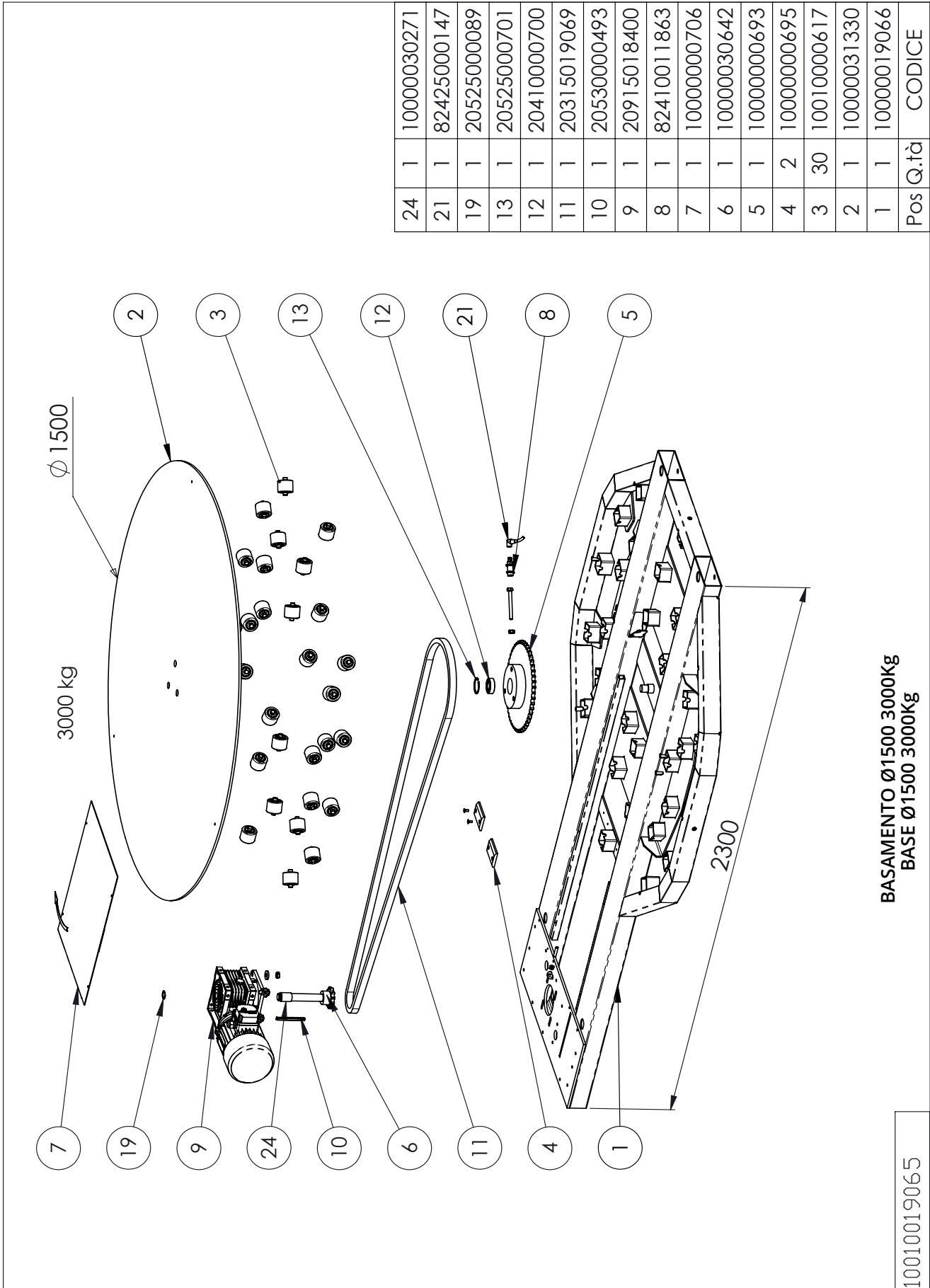
BASAMENTO Ø2200 ALLUNGATO
EXTENDED BASE Ø2200

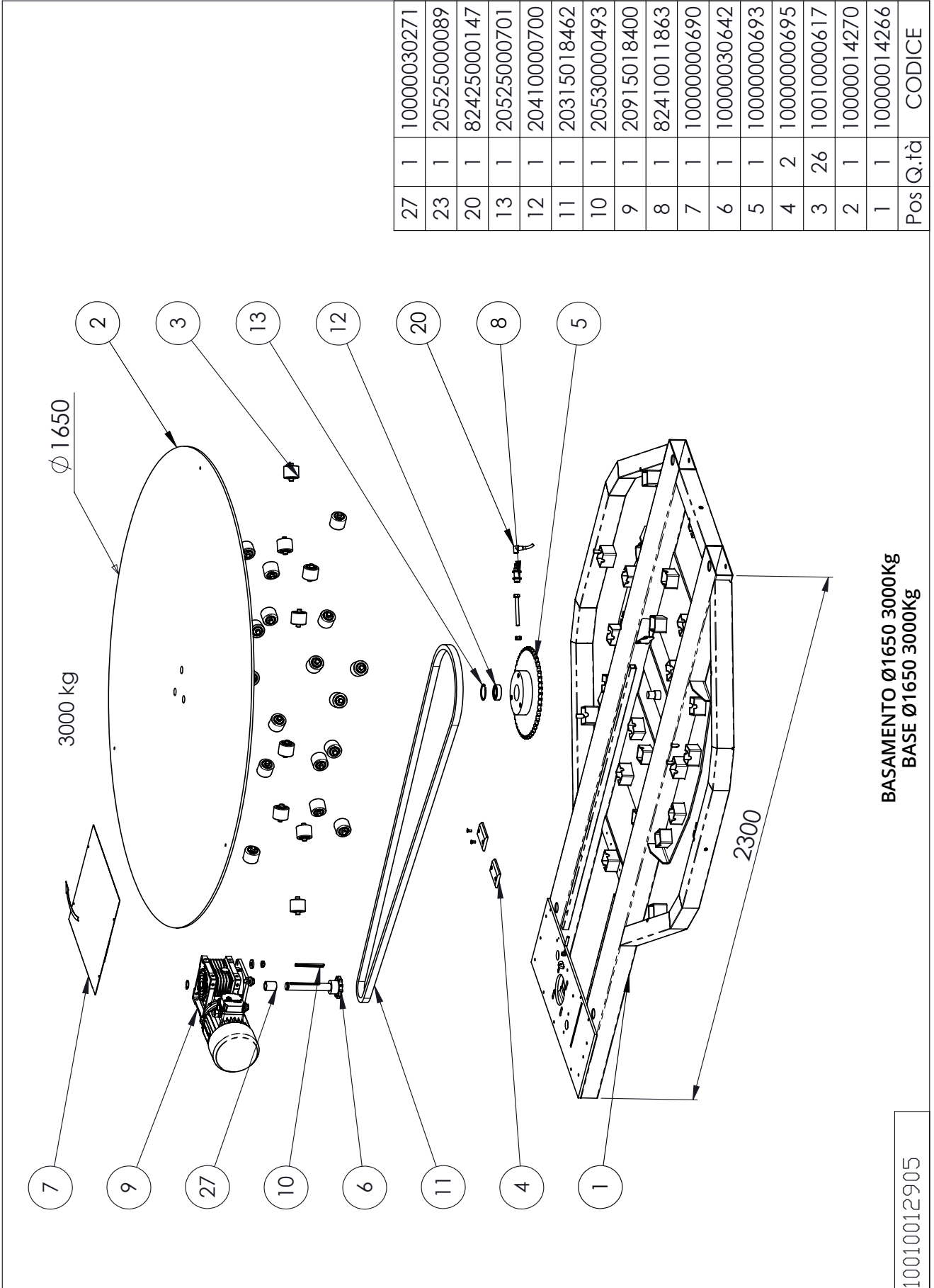
10010014242



**BASAMENTO Ø2400 ALLUNGATO
EXTENDED BASE Ø2400**

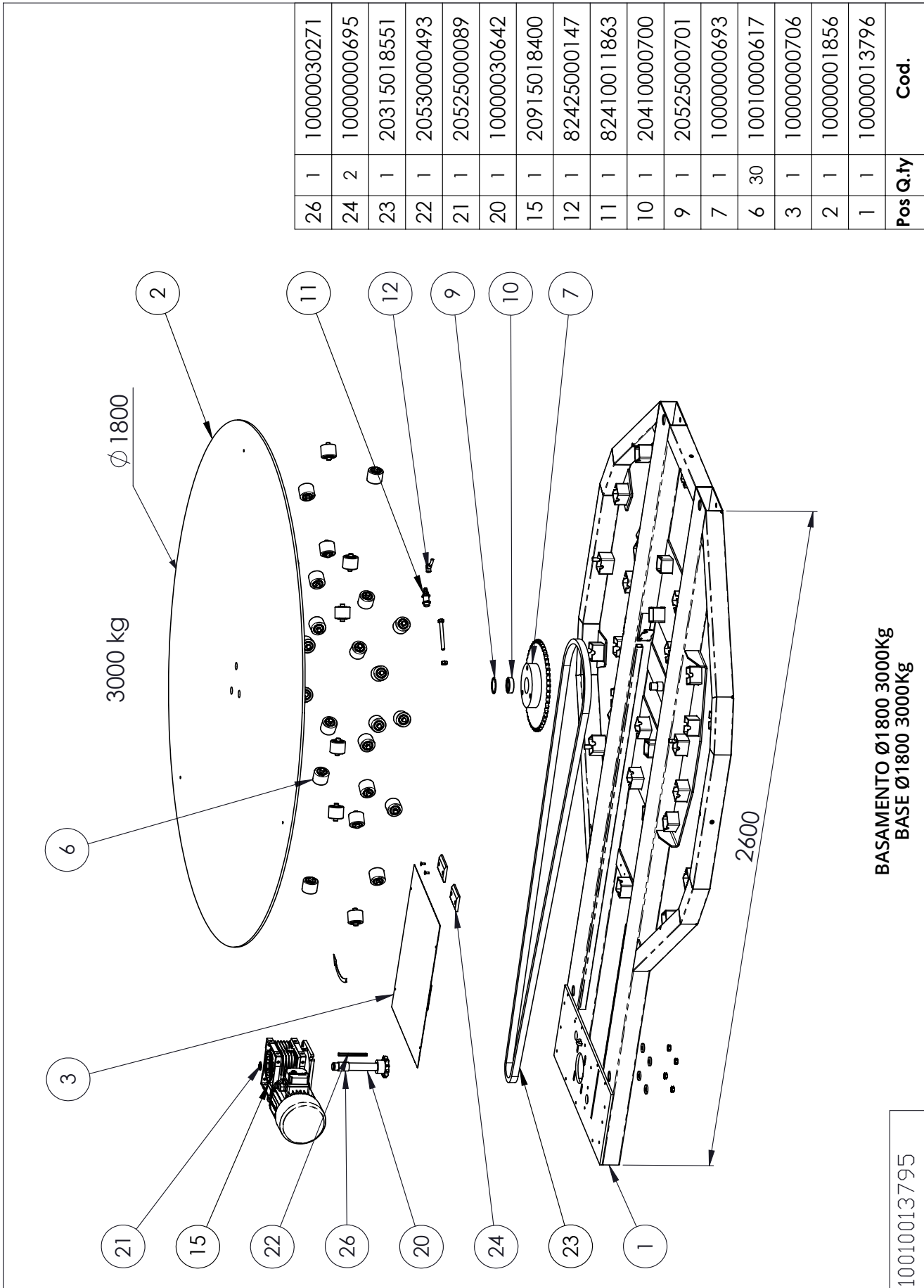
10010028749





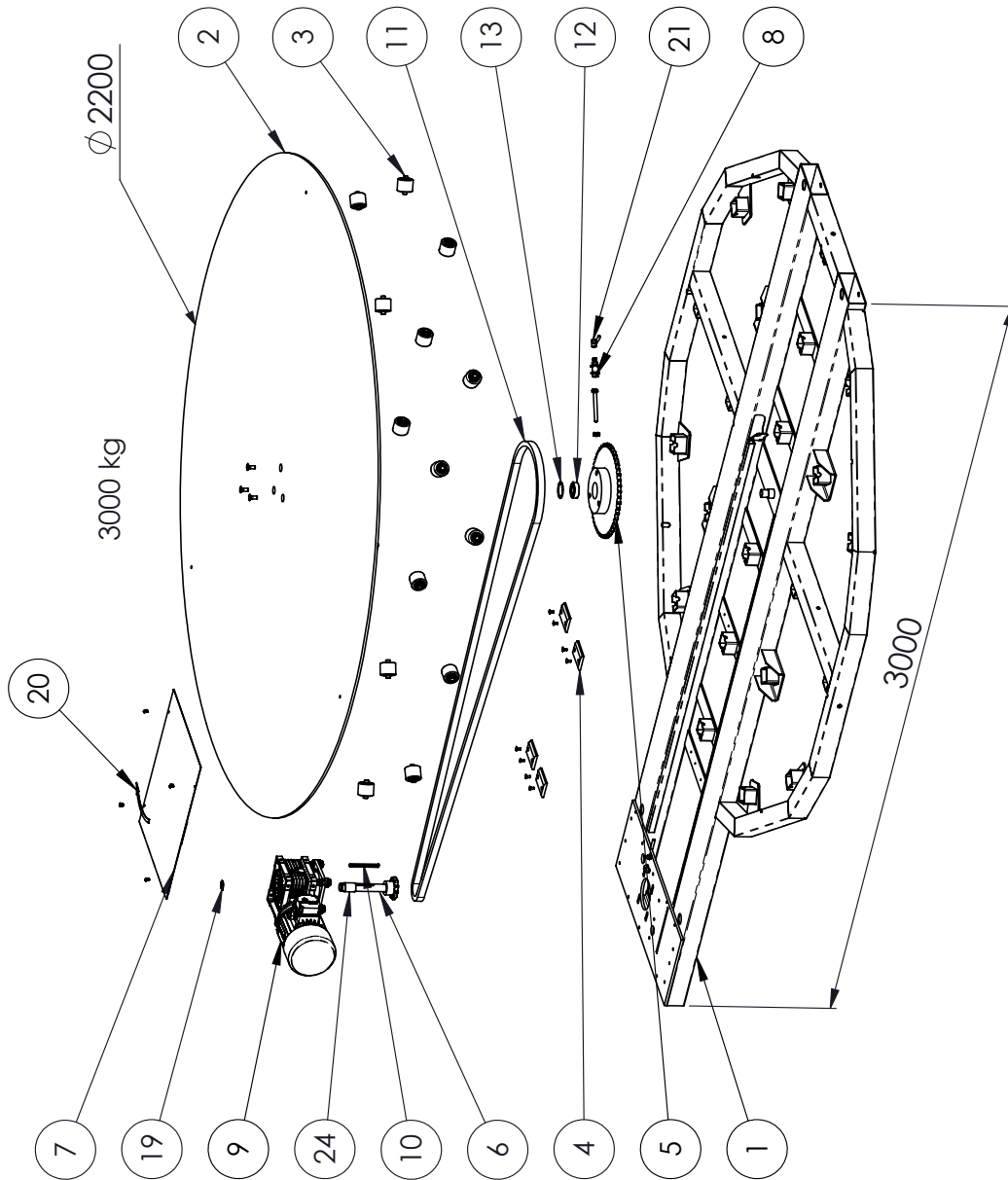
BASAMENTO Ø1650 3000Kg
BASE Ø1650 3000Kg

10010012905



BASAMENTO Ø1800 3000Kg
BASE Ø1800 3000Kg

10010013795



BASAMENTO Ø2200 3000Kg
BASE Ø2200 3000Kg

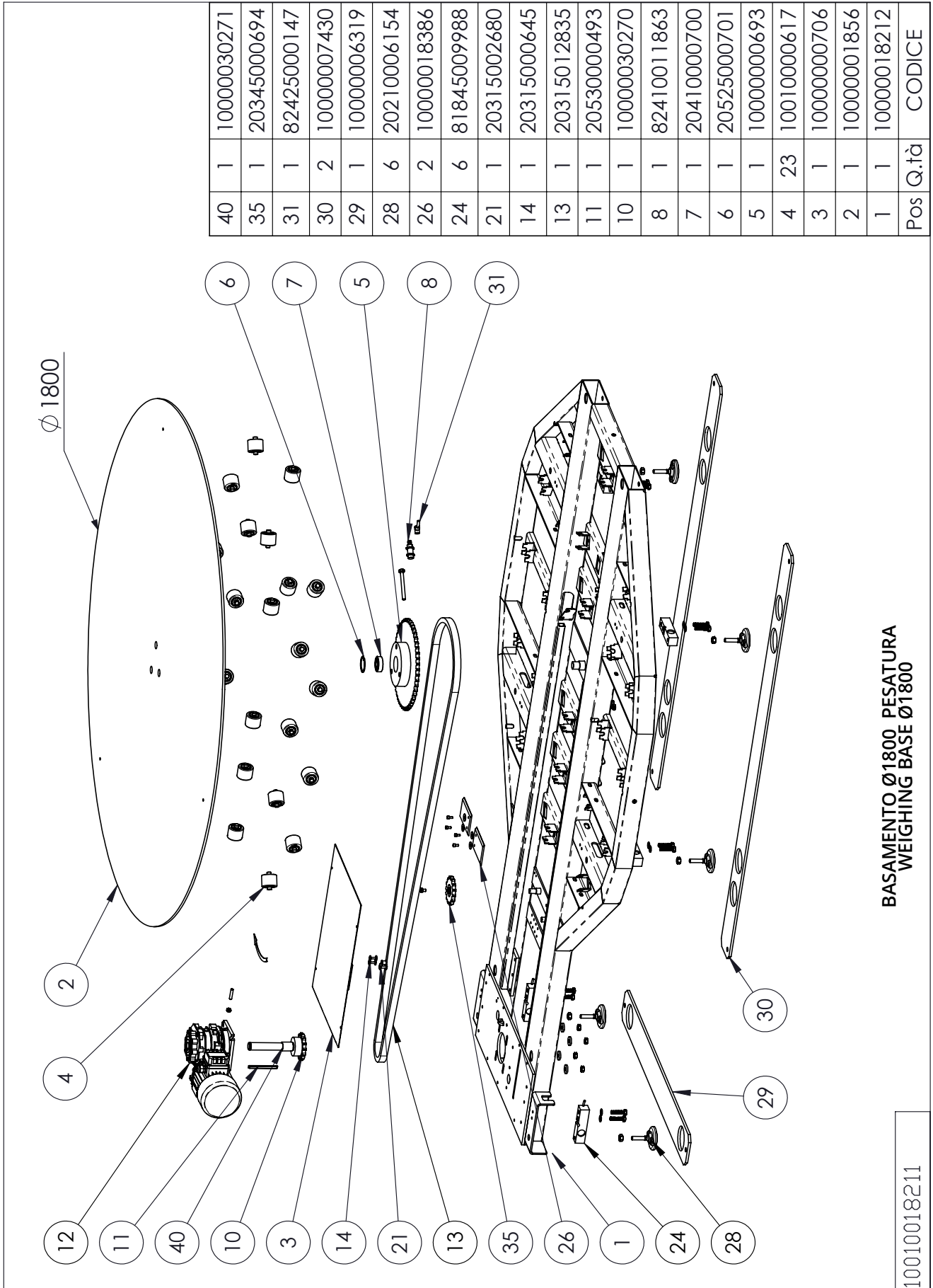
10010022980

24	1	10000030271
21	1	82425000147
20	1	1000007020
19	1	20525000089
13	1	20525000701
12	1	20410000700
11	1	20315022981
10	1	20530000493
9	1	20915018400
8	1	82410011863
7	1	10000000706
6	1	10000030642
5	1	10000000693
4	4	10000000695
3	22	10010000617
2	1	10000002468
1	1	10000014235
Pos	Q.tà	CODICE

33	2	10000006320
32	1	10000006319
31	6	20210006154
28	6	81845009988
22	1	82425000147
21	1	10000007020
20	1	20525000089
19	1	10000030271
13	1	20525000701
12	1	20410000700
11	1	20315011857
10	1	20530000493
9	1	20915000483
8	1	82410011863
7	1	10000000690
6	1	10000030270
5	1	10000000693
4	2	10000000695
3	17	100100000617
2	1	10000000485
1	1	10000012692
Pos	Q.tà	CODICE

**BASAMENTO Ø1650 PESATURA
WEIGHING BASE Ø1650**

10010012691



**BASAMENTO Ø1800 PESATURA
WEIGHING BASE Ø1800**

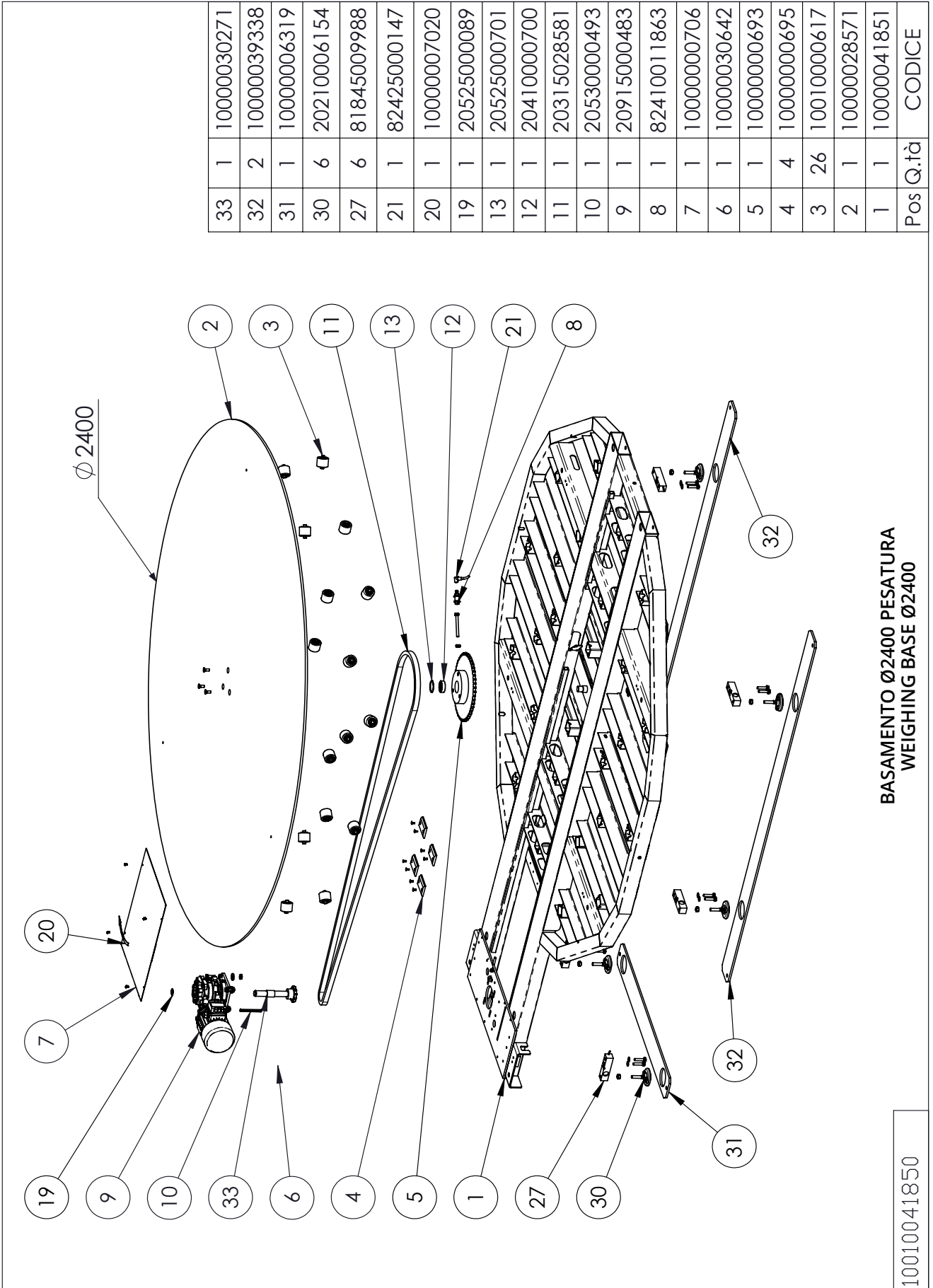
10010018211

40	1	10000030271
35	1	20345000694
31	1	82425000147
30	2	10000007430
29	1	10000006319
28	6	20210006154
26	2	10000018386
24	6	81845009988
21	1	20315002680
14	1	20315000645
13	1	20315012835
11	1	20530000493
10	1	10000030270
8	1	82410011863
7	1	20410000700
6	1	20525000701
5	1	1000000693
4	23	10010000617
3	1	10000000706
2	1	10000001856
1	1	10000018212
Pos	Q.tà	CODICE

33	2	10000025063
32	1	10000006319
31	6	20210006154
28	6	81845009988
24	1	20525000089
21	1	82425000147
20	1	10000007020
19	1	10000030271
13	1	20525000701
12	1	20410000700
11	1	20315022981
10	1	20530000493
9	1	20915000483
8	1	82410011863
7	1	10000000706
6	1	10000030642
5	1	10000000693
4	4	10000000695
3	22	10010000617
2	1	10000002468
1	1	10000014228
Pos	Q.tà	CODICE

BASAMENTO Ø2200 PESATURA
WEIGHING BASE Ø2200

10010014227



33	1	10000030271
32	2	10000039338
31	1	10000006319
30	6	20210006154
27	6	81845009988
21	1	82425000147
20	1	10000007020
19	1	20525000089
13	1	20525000701
12	1	20410000700
11	1	20315028581
10	1	20530000493
9	1	20915000483
8	1	82410011863
7	1	10000000706
6	1	10000030642
5	1	10000000693
4	4	10000000695
3	26	10010000617
2	1	10000028571
1	1	10000041851
Pos	Q.tà	CODICE

**BASAMENTO Ø2400 PESATURA
WEIGHING BASE Ø2400**

10010041850

BASAMENTO TRANSPALLET Ø1650 PESATURA
WEIGHING TRANSPALLET BASE Ø1650

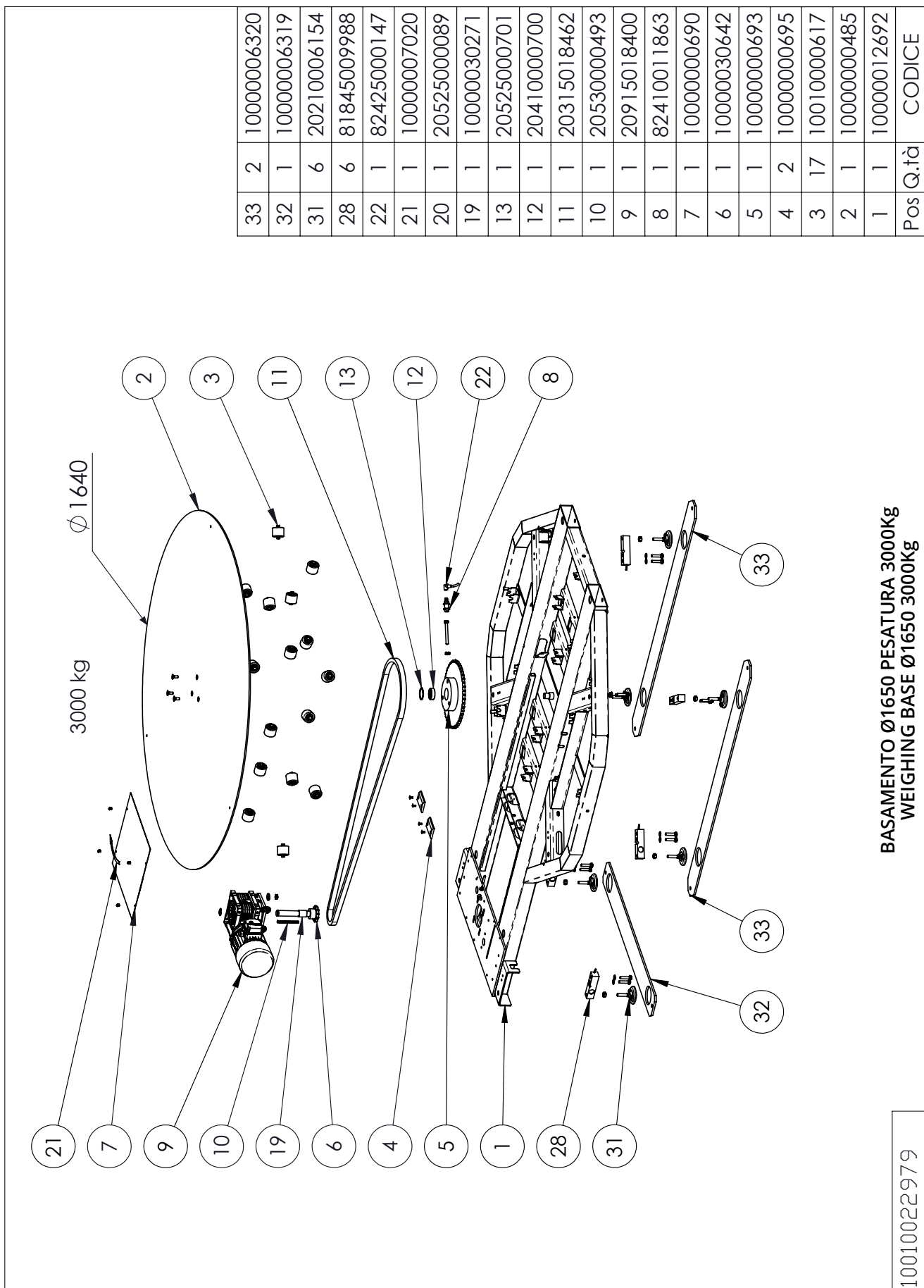
Pos.	Qtà	Cod.
74	1	10000030271
73	2	10000039569
72	6	20500016341
61	6	81845009988
57	1	20315002680
56	1	10000024243
55	1	10000024242
54	6	10010024274
53	1	10000024154
52	11	10010005626
51	1	10000025884
49	6	10000008468
43	2	82415001783
42	1	82425000147
41	1	82425006208
40	1	82425001481
37	1	10000001477
36	1	10000001420
33	26	21300001486
28	1	10000001421
27	2	10000001422
24	1	10000008478
23	1	10000008477
22	1	82425001109
21	1	10000008472
19	1	10000007950
16	2	10000001417
15	1	20315002855
14	1	20315000645
12	2	10000008079
9	3	20345000694
6	1	10000030270
4	1	20915001142
3	2	10010001356
		100100008321
		Cod.

74	1	10000030271
73	2	10000039569
57	1	20315002680
56	1	10000024243
55	1	10000024242
54	6	10010024274
53	1	10000032945
52	11	10010005626
51	1	10000032941
49	6	10000008468
43	2	82415001783
42	1	82425000147
41	1	82425006208
40	1	82425001481
37	1	10000001477
36	1	10000001420
33	26	21300001486
28	1	10000001421
27	2	10000001422
24	1	10000008564
23	1	10000008563
22	1	82425001109
21	1	10000008472
19	1	10000008534
16	2	10000001417
15	1	20315008547
14	1	20315000645
12	2	10000008521
9	3	20345000694
6	1	10000030270
4	1	20915001142
3	2	10010001356
1	1	10000008519

Pos. Qtà Cod.

10010032940

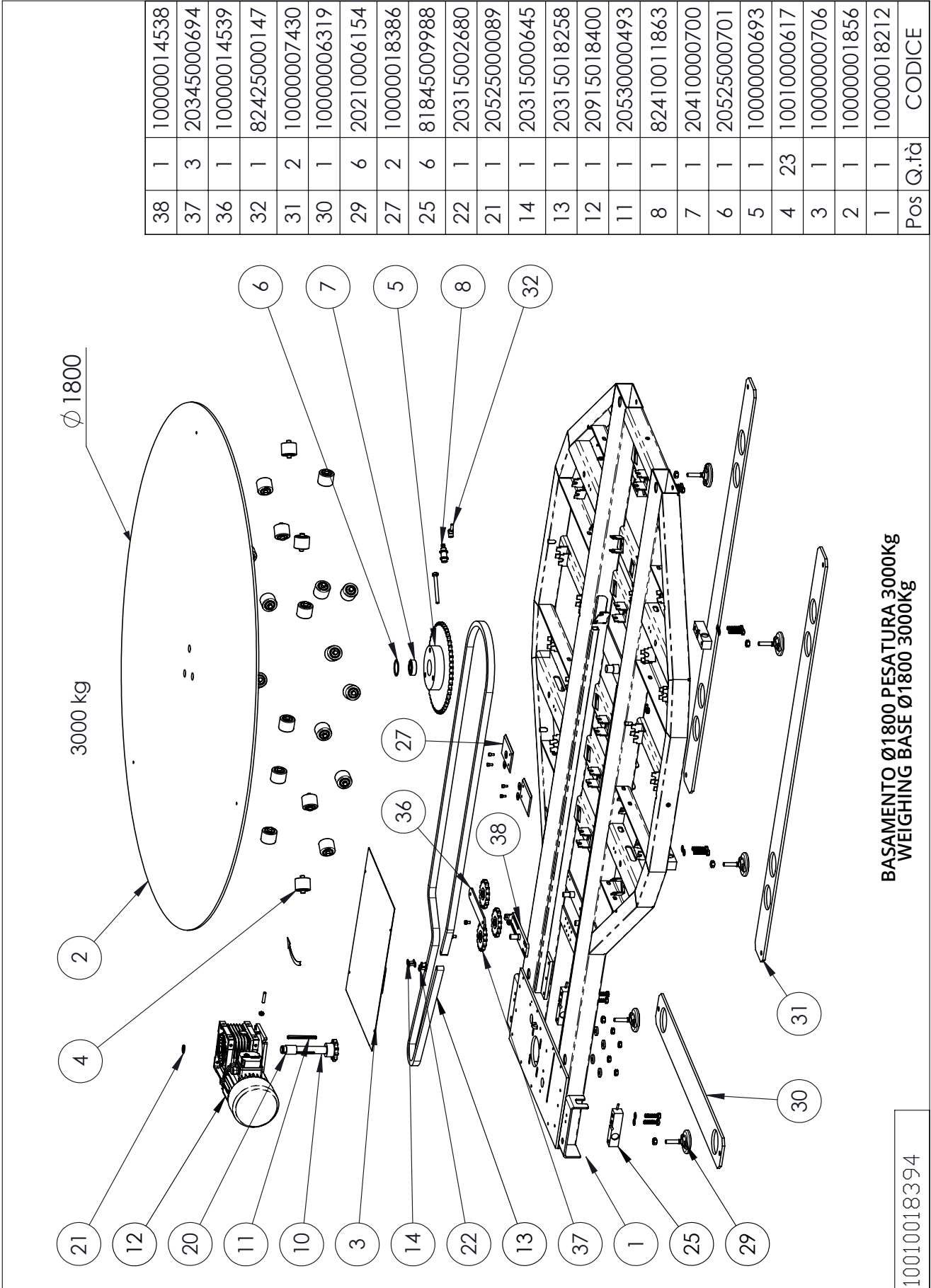
**BASAMENTO TRANSPALLET Ø1800 PESATURA
WEIGHING TRANSPALLET BASE Ø1800**



33	2	10000006320
32	1	10000006319
31	6	20210006154
28	6	81845009988
22	1	82425000147
21	1	10000007020
20	1	20525000089
19	1	10000030271
13	1	20525000701
12	1	20410000700
11	1	20315018462
10	1	20530000493
9	1	20915018400
8	1	82410011863
7	1	10000000690
6	1	10000030642
5	1	10000000693
4	2	10000000695
3	17	10010000617
2	1	10000000485
1	1	10000012692
Pos	Q.tà	CODICE

BASAMENTO Ø1650 PESATURA 3000Kg
WEIGHING BASE Ø1650 3000Kg

10010022979



38	1	10000014538
37	3	20345000694
36	1	10000014539
32	1	82425000147
31	2	10000007430
30	1	10000006319
29	6	20210006154
27	2	10000018386
25	6	81845009988
22	1	20315002680
21	1	20525000089
14	1	20315000645
13	1	20315018258
12	1	20915018400
11	1	20530000493
8	1	82410011863
7	1	20410000700
6	1	20525000701
5	1	10000000693
4	23	10010000617
3	1	10000000706
2	1	10000001856
1	1	10000018212
Pos	Q.tà	CODICE

BASAMENTO Ø1800 PESATURA 3000Kg
WEIGHING BASE Ø1800 3000Kg

10010018394

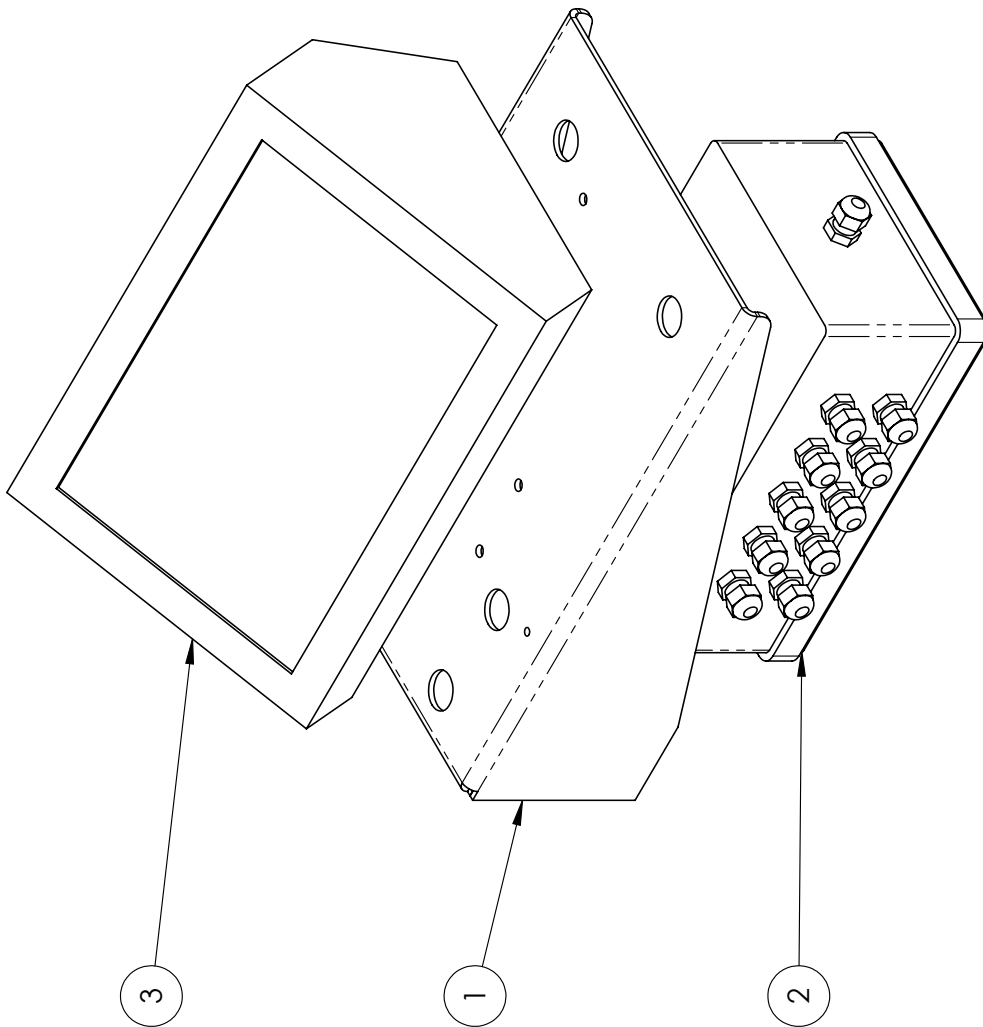
3000 kg

Ø 2200

10010022982

BASAMENTO Ø2200 PESATURA 3000Kg
WEIGHING BASE Ø2200 3000Kg

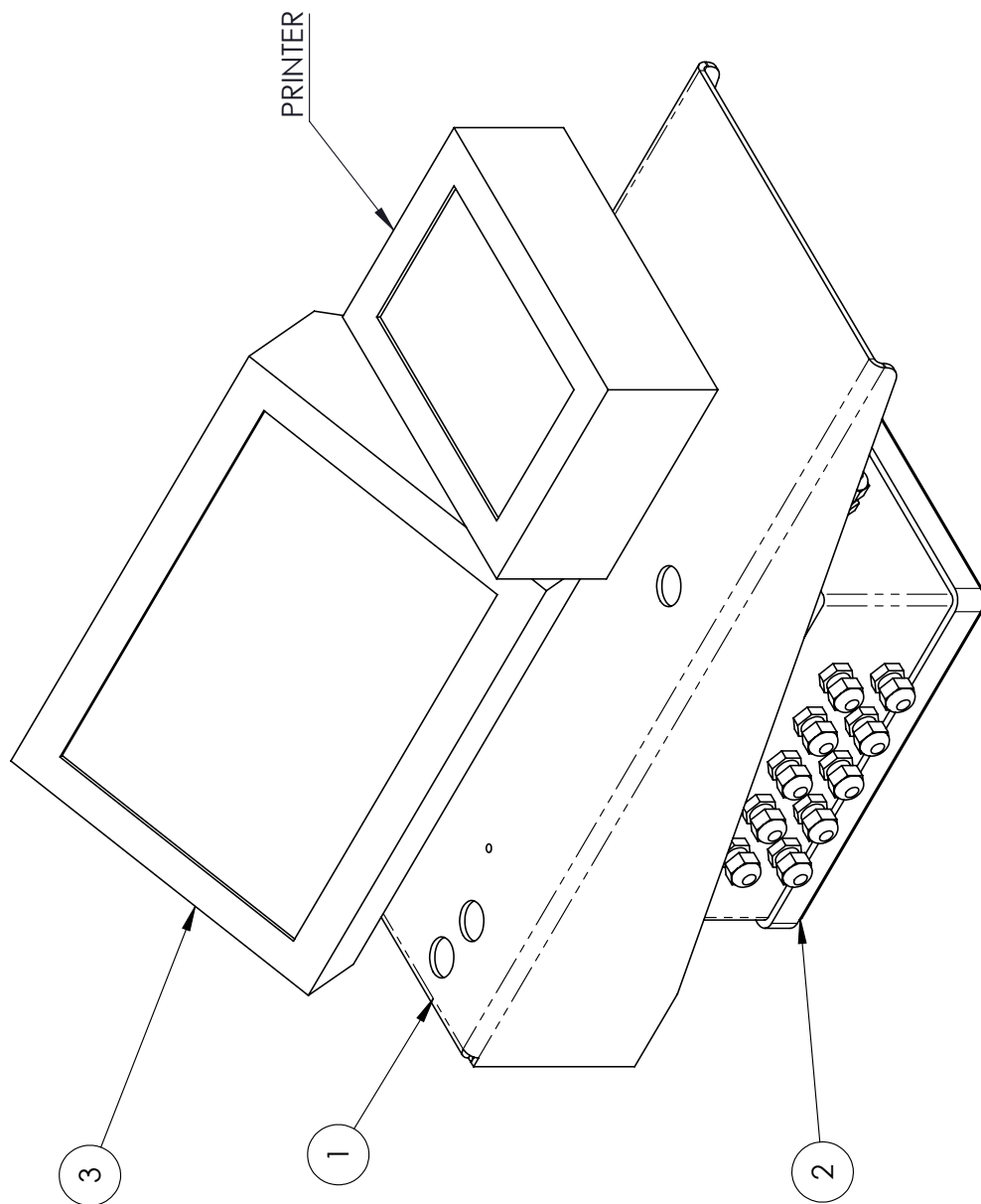
Pos	Q.tà	CODICE
33	2	10000025063
32	1	10000006319
31	6	20210006154
28	6	81845009988
24	1	10000030271
23	1	20525000089
20	1	82425000147
19	1	10000007020
13	1	20525000701
12	1	20410000700
11	1	20315022981
10	1	20530000493
9	1	20915018400
8	1	82410011863
7	1	10000000706
6	1	10000030642
5	1	10000000693
4	4	10000000695
3	22	10010000617
2	1	10000002468
1	1	10000014228



DISPLAY BILANCIA
WEIGHING DISPLAY

3	1	81850006152
2	1	81845006268
1	1	10000006335
Pos.	Qtà	Cod.

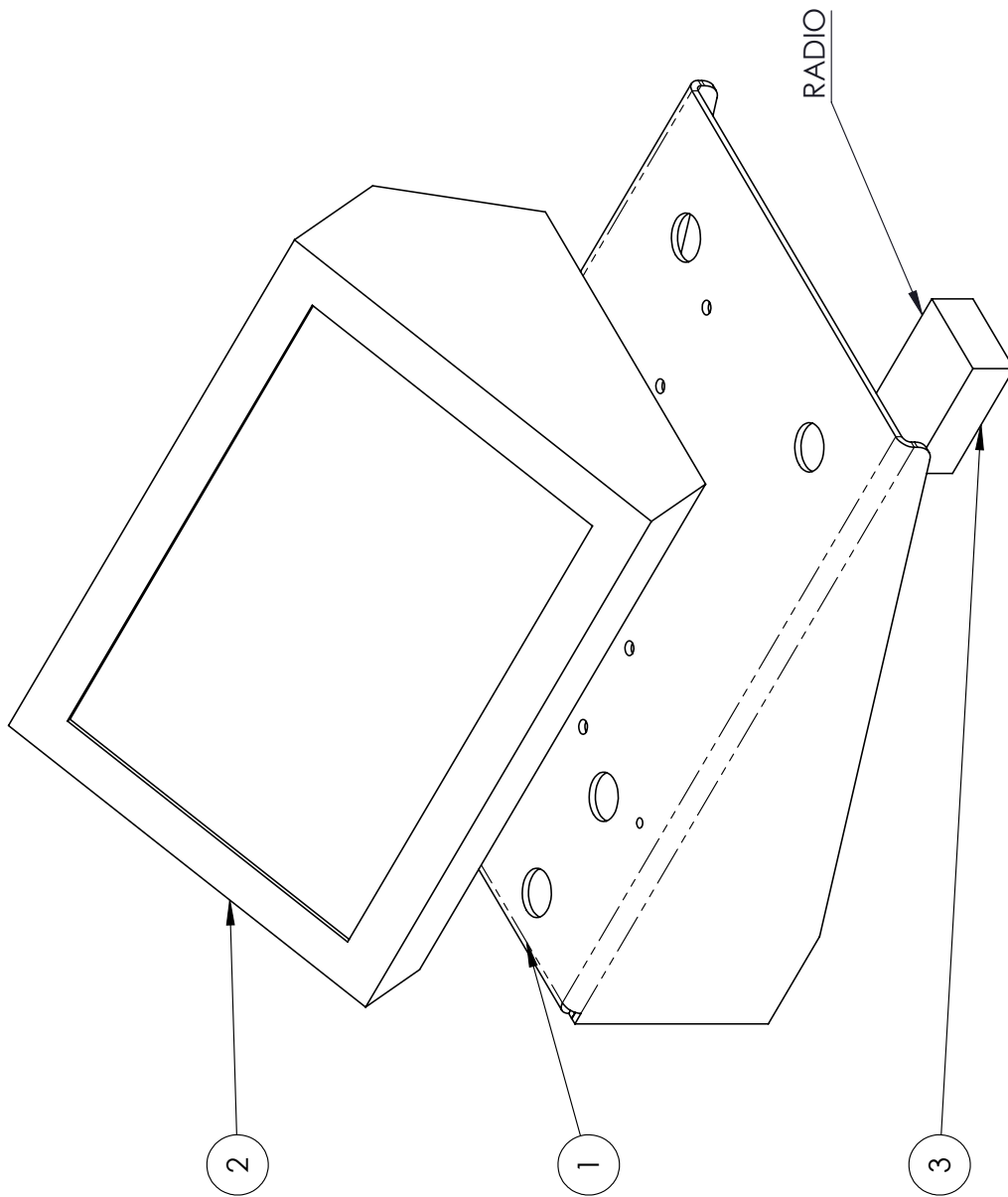
10010006336



3	1	81850009952
2	1	81845006268
1	1	10000009953
Pos.	Qtà	Cod.

DISPLAY BILANCIA
WEIGHING DISPLAY

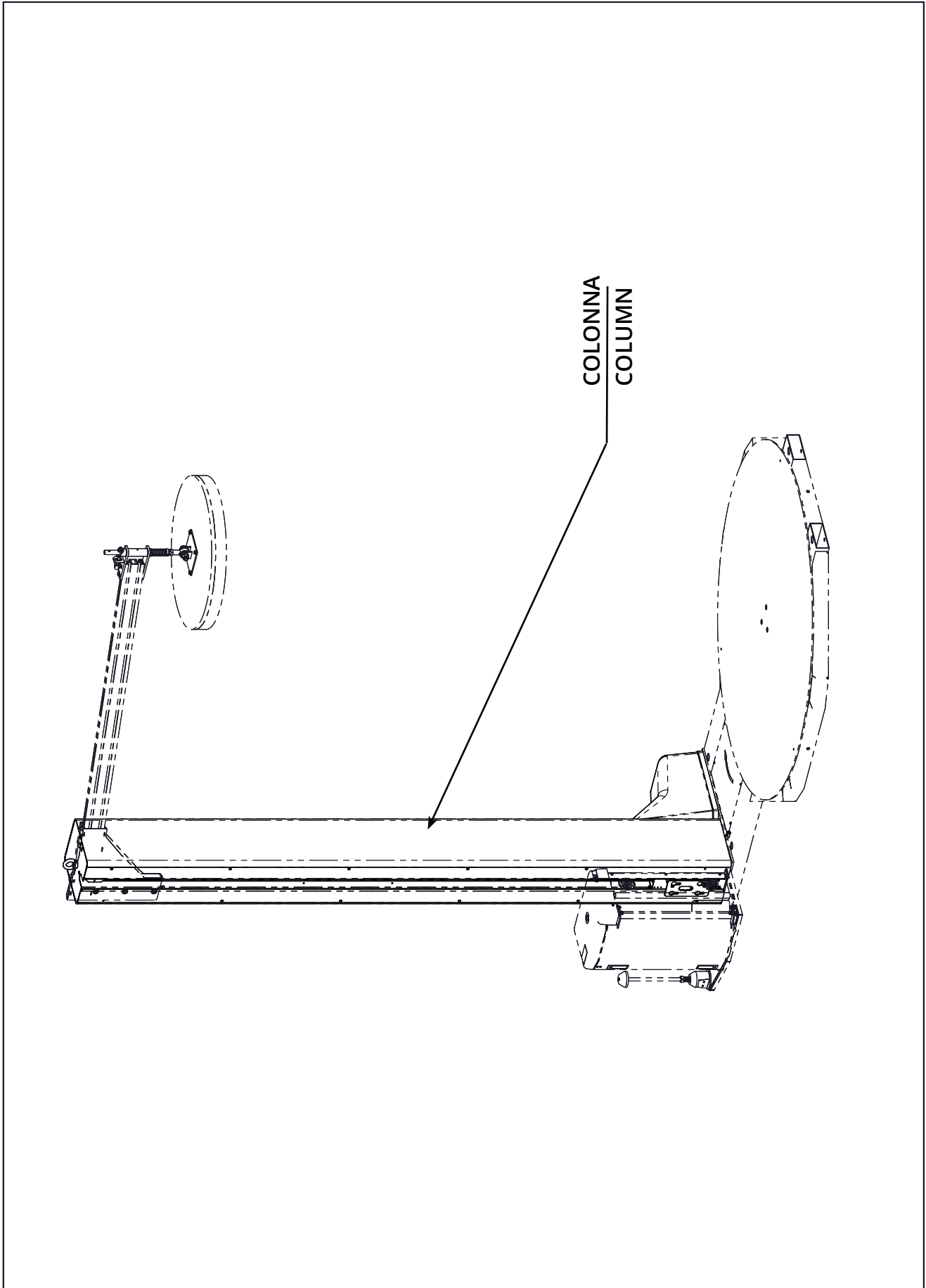
10010009946

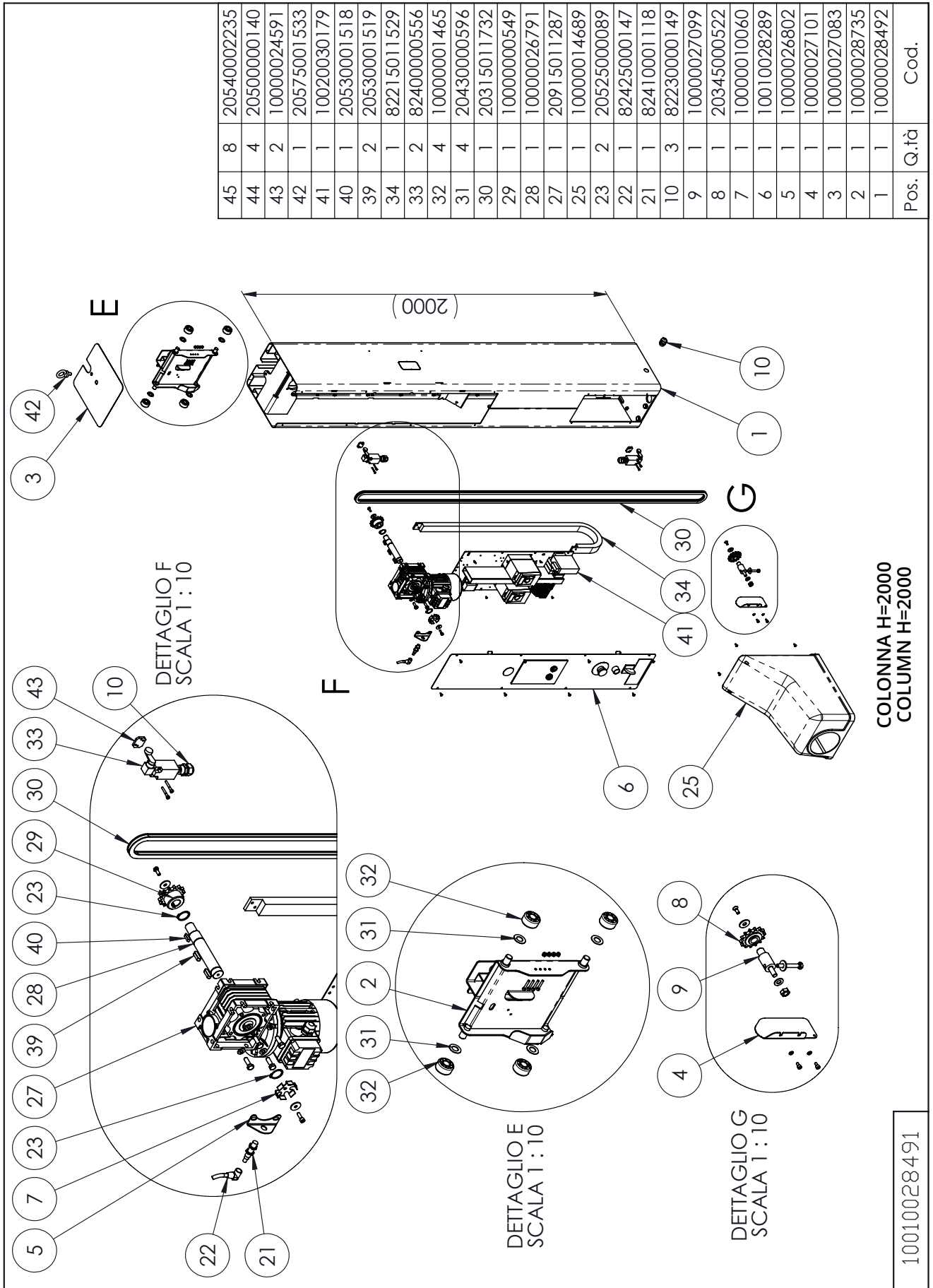


DISPLAY BILANCIA
WEIGHING DISPLAY

3	1	81850025971
2	1	81850026080
1	1	10000006335
Pos.	Qtà	Cod.

10010026079





10010028491

DETAGLIO F
SCALA 1:10

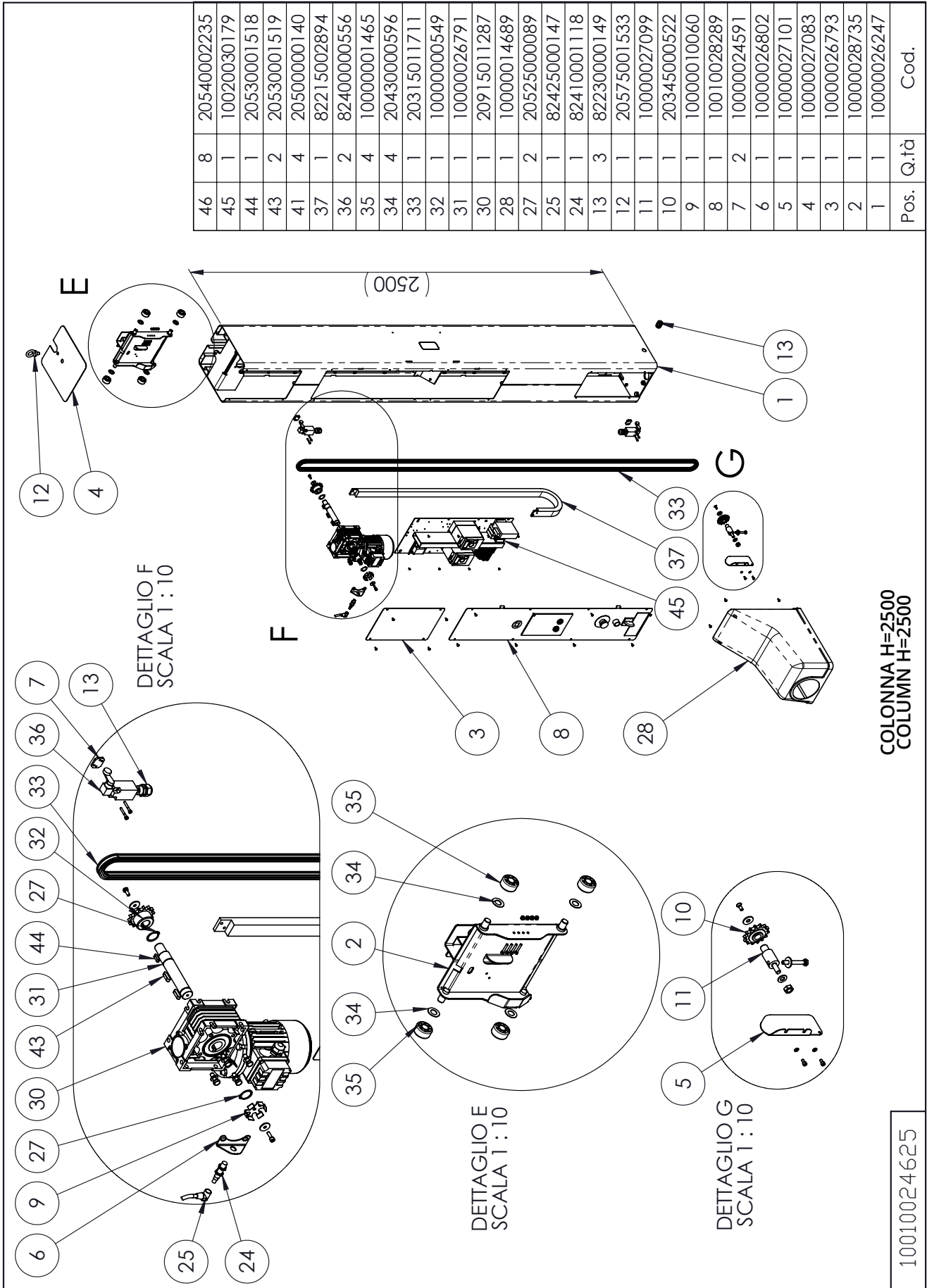
DETAGLIO E
SCALA 1:10

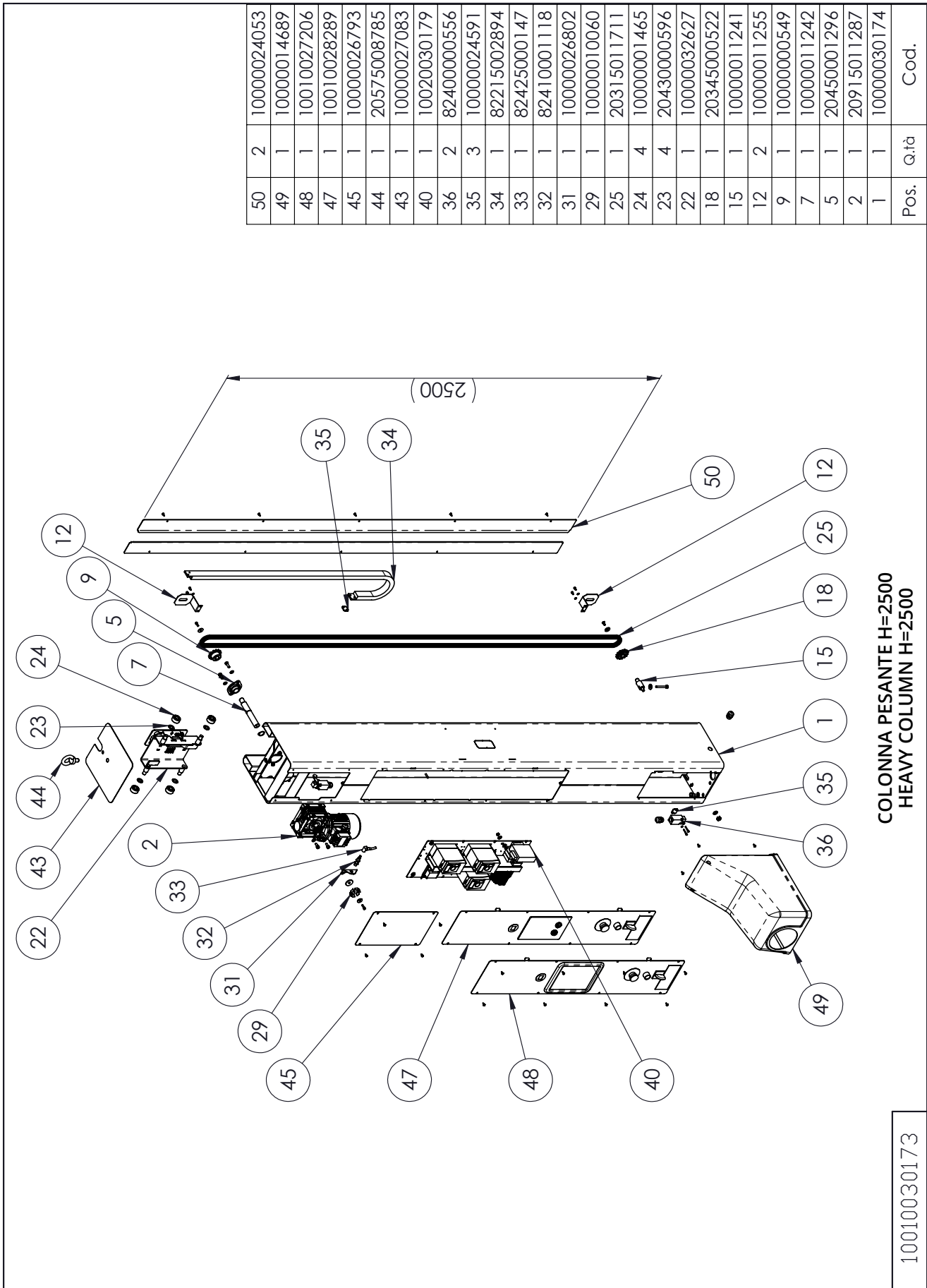
DETAGLIO G
SCALA 1:10

COLONNA H=2300
COLUMN H=2300

Pos.	Q.tà	Cod.
45	1	10020030179
44	1	20530001518
43	2	20530001519
37	1	82215036191
36	2	82400000556
35	4	10000001465
34	4	20430000596
33	1	20315036417
32	1	10000000549
31	1	10000026791
30	1	20915011287
28	1	10000014689
27	2	20525000089
25	1	82425000147
24	1	82410001118
13	3	82230000149
12	1	20575001533
11	1	10000027099
10	1	20345000522
9	1	10000010060
8	1	10010028289
7	2	10000024591
6	1	10000026802
5	1	10000027101
4	1	10000027083
3	1	10000026793
2	1	10000028735
1	1	10000036416

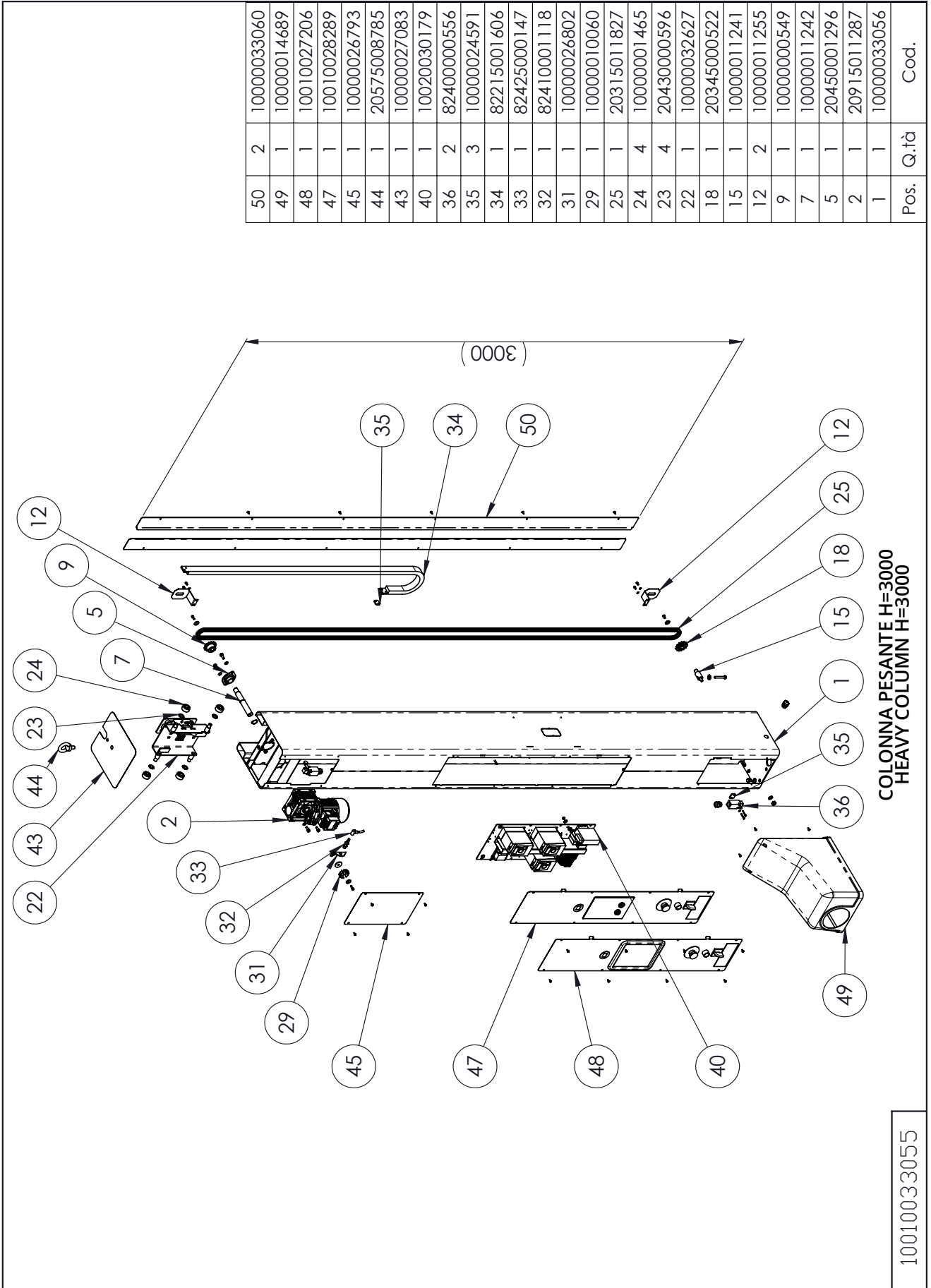
10010035646





Pos.	Q.tà	Cod.
50	2	10000024053
49	1	10000014689
48	1	10010027206
47	1	10010028289
45	1	10000026793
44	1	20575008785
43	1	10000027083
40	1	10020030179
36	2	82400000556
35	3	10000024591
34	1	82215002894
33	1	82425000147
32	1	82410001118
31	1	10000026802
29	1	10000010060
25	1	20315011711
24	4	10000001465
23	4	20430000596
22	1	10000032627
18	1	20345000522
15	1	10000011241
12	2	10000011255
9	1	10000000549
7	1	10000011242
5	1	20450001296
2	1	20915011287
1	1	10000030174

10010030173



Pos.	Q.tà	Cod.
50	2	10000033060
49	1	10000014689
48	1	10010027206
47	1	10010028289
45	1	10000026793
44	1	20575008785
43	1	10000027083
40	1	10020030179
36	2	82400000556
35	3	10000024591
34	1	82215001606
33	1	82425000147
32	1	82410001118
31	1	10000026802
29	1	10000010060
25	1	20315011827
24	4	10000001465
23	4	20430000596
22	1	10000032627
18	1	20345000522
15	1	10000011241
12	2	10000011255
9	1	10000000549
7	1	10000011242
5	1	20450001296
2	1	20915011287
1	1	10000033056

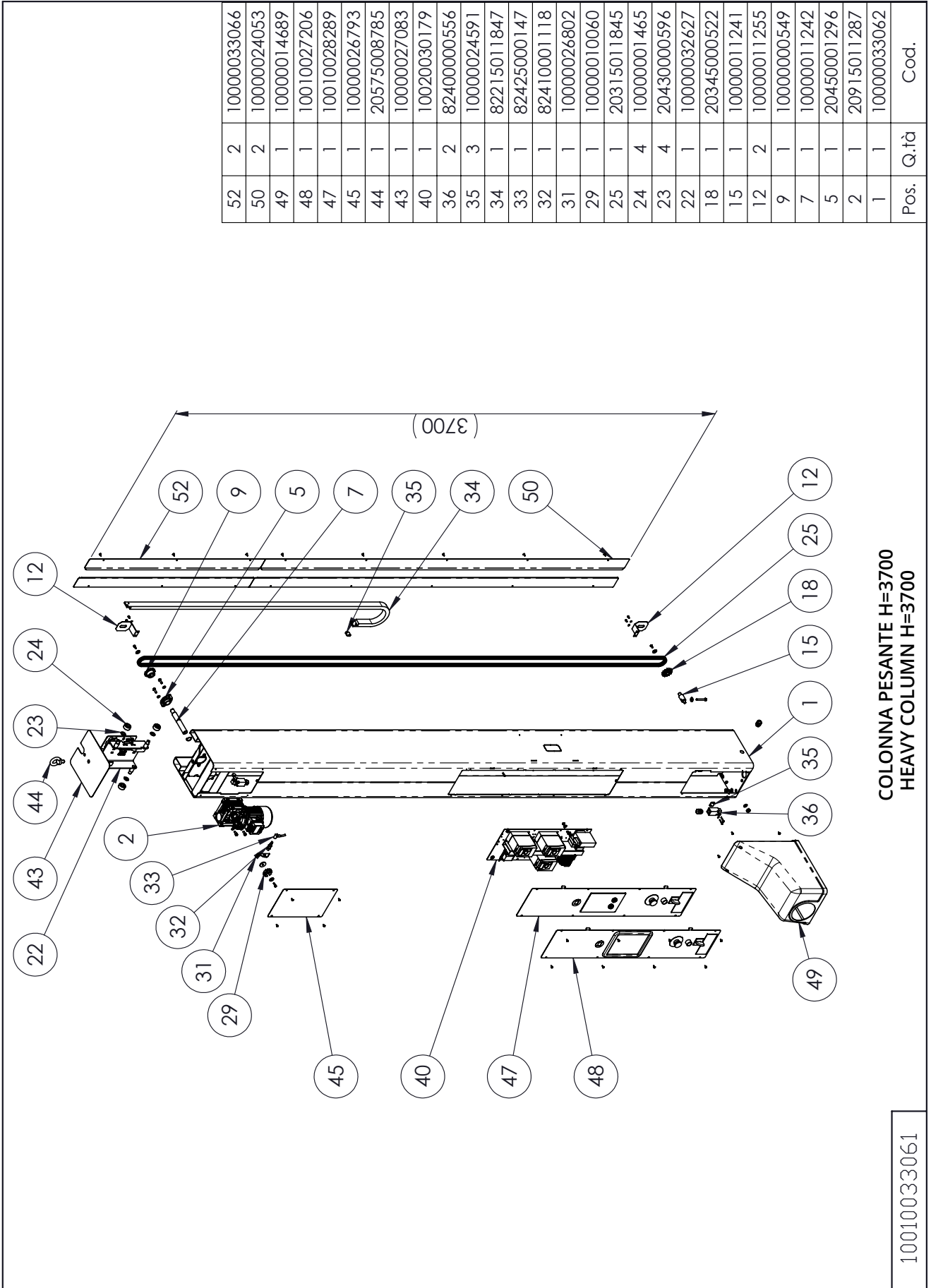
10010033055

(3300)

COLONNA PESANTE H=3300
HEAVY COLUMN H=3300

Pos.	Q.tà	Cod.
52	2	10000033072
50	2	10000024053
49	1	10000014689
48	1	10010027206
47	1	10010028289
45	1	10000026793
44	1	20575008785
43	1	10000027083
40	1	10020030179
36	2	82400000556
35	3	10000024591
34	1	82215003571
33	1	82425000147
32	1	82410001118
31	1	10000026802
29	1	10000010060
25	1	20315011538
24	4	10000001465
23	4	20430000596
22	1	10000032627
18	1	20345000522
15	1	10000011241
12	2	10000011255
9	1	10000000549
7	1	10000011242
5	1	20450001296
2	1	20915011287
1	1	10000033068

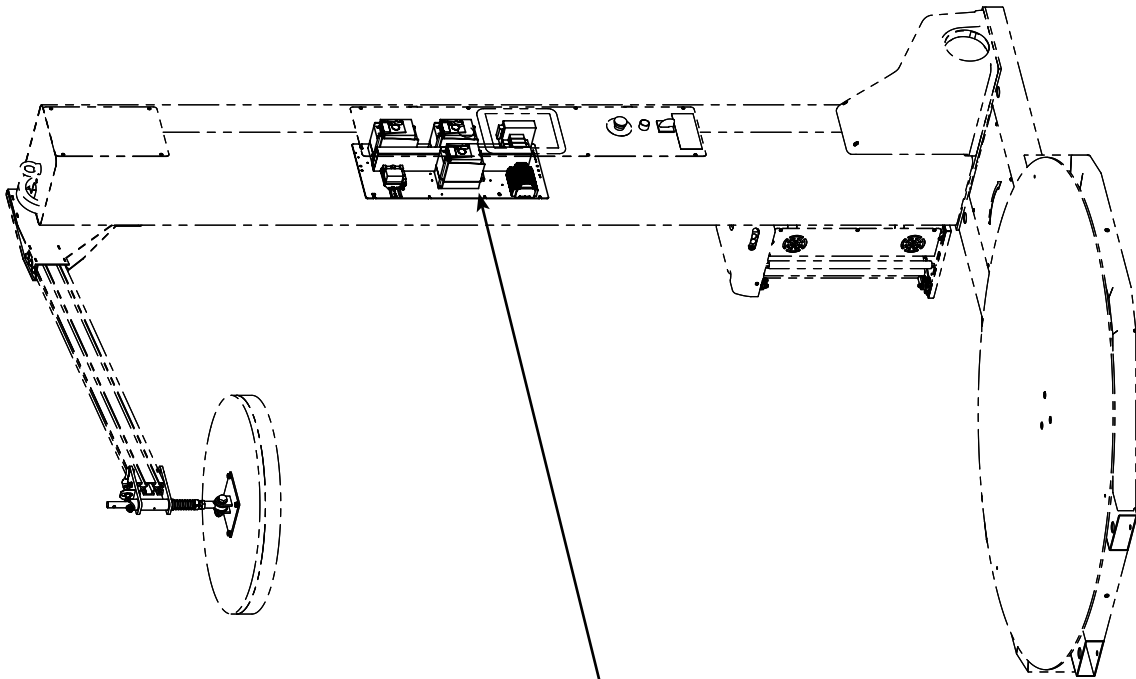
10010033067



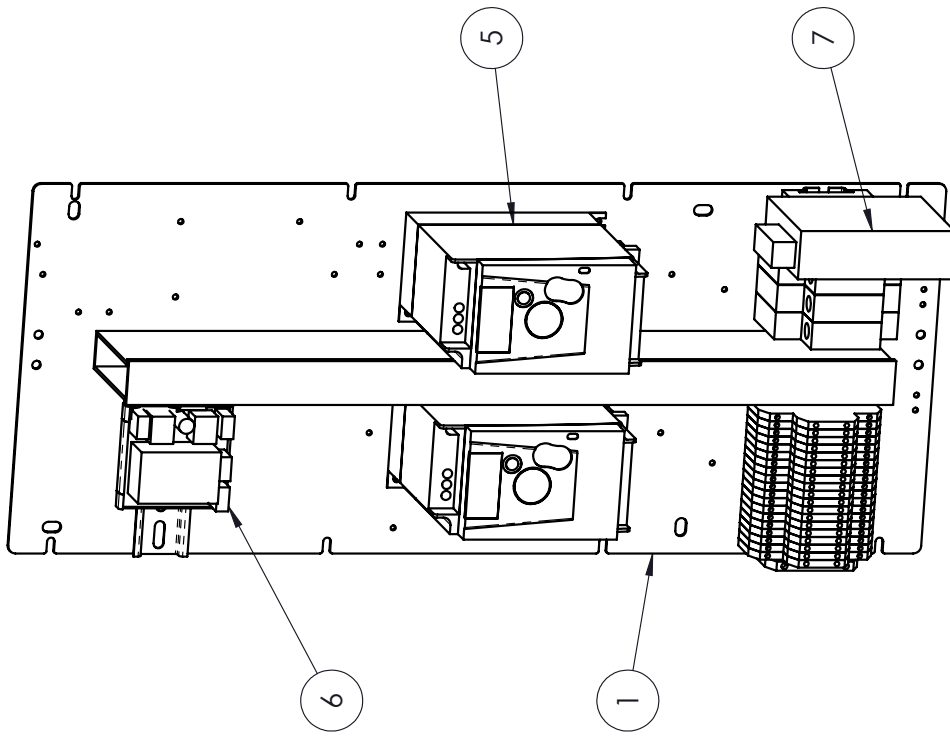
COLONNA PESANTE H=3700
HEAVY COLUMN H=3700

10010033061

Pos.	Q.tà	Cod.
52	2	10000033066
50	2	10000024053
49	1	10000014689
48	1	10010027206
47	1	10010028289
45	1	10000026793
44	1	20575008785
43	1	10000027083
40	1	10020030179
36	2	82400000556
35	3	10000024591
34	1	82215011847
33	1	82425000147
32	1	82410001118
31	1	10000026802
29	1	10000010060
25	1	20315011845
24	4	10000001465
23	4	20430000596
22	1	10000032627
18	1	20345000522
15	1	10000011241
12	2	10000011255
9	1	10000000549
7	1	10000011242
5	1	20450001296
2	1	20915011287
1	1	10000033062
Pos.	Q.tà	Cod.



QUADRO ELETTRICO
ELECTRICAL CABINET

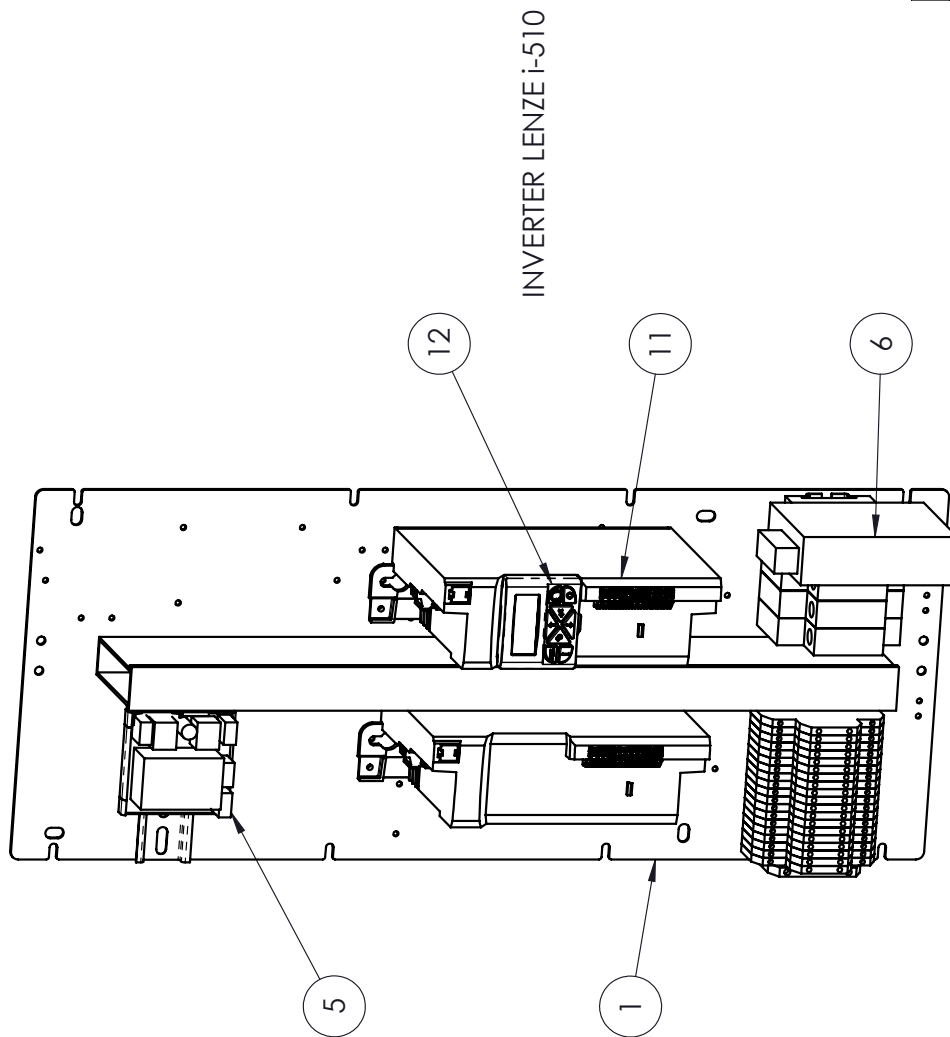


INVERTER SCHNEIDER/TELEMECANIQUE ATV

QUADRO ELETTRICO
ELECTRICAL CABINET

7	1	80635000753
6	1	10000028439
5	2	81005011700
1	1	10000030178
Pos.	Q.tà	Cod.

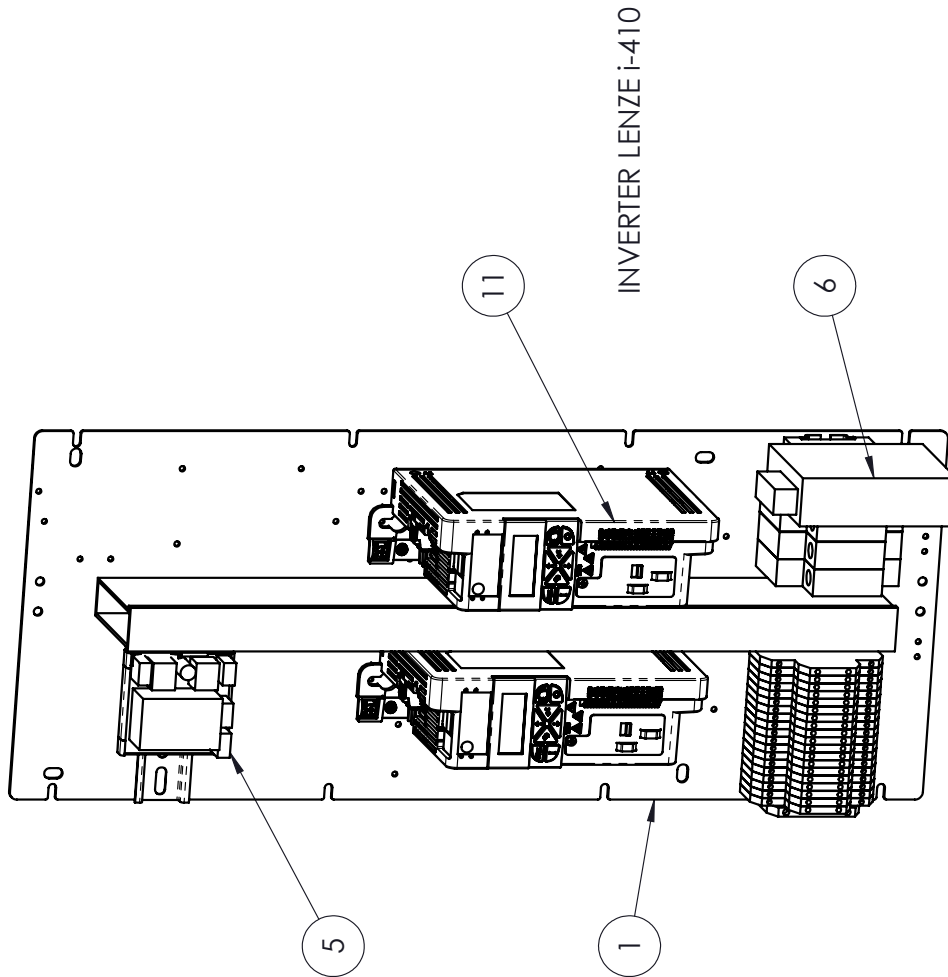
10020030179



QUADRO ELETTRICO
ELECTRICAL CABINET

12	1	81010033905
11	2	81005032597
6	1	80635000753
5	1	10000028439
1	1	10000030178
Pos.	Q.tà	Cod.

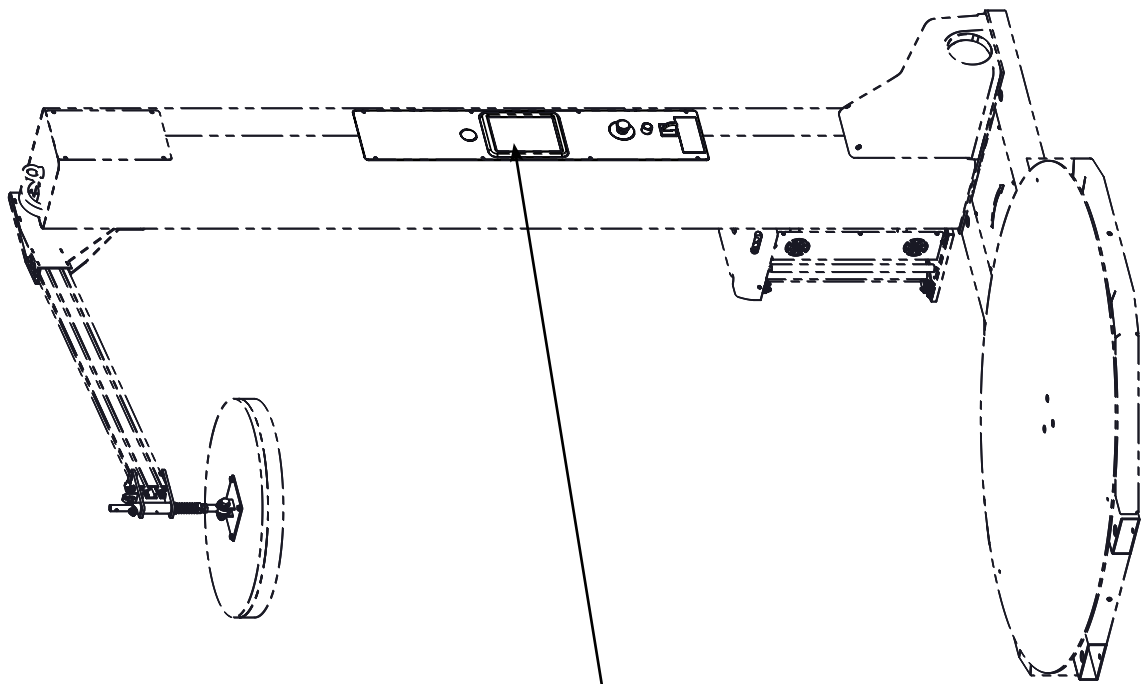
10020030179



QUADRO ELETTRICO
ELECTRICAL CABINET

10020030179

11	2	81005039772
6	1	80635000753
5	1	10000028439
1	1	10000030178
Pos.	QTY	Cod.



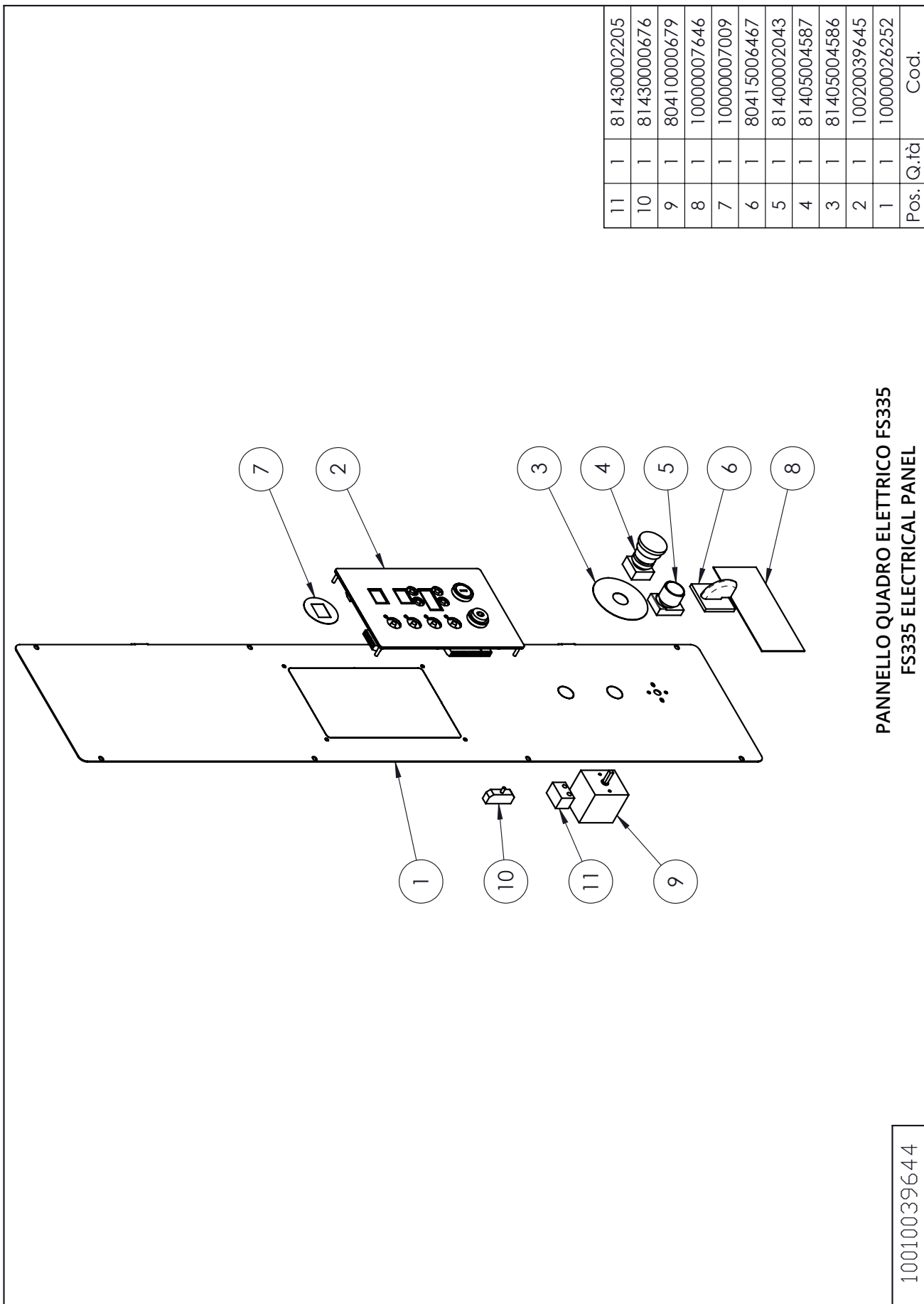
PANNELLO QUADRO
ELECTRICAL PANEL

QUESTA PAGINA È STATA LASCIATA INTENZIONALMENTE VUOTA.

THIS PAGE WAS INTENTIONALLY LEFT BLANK.

QUESTA PAGINA È STATA LASCIATA INTENZIONALMENTE VUOTA.

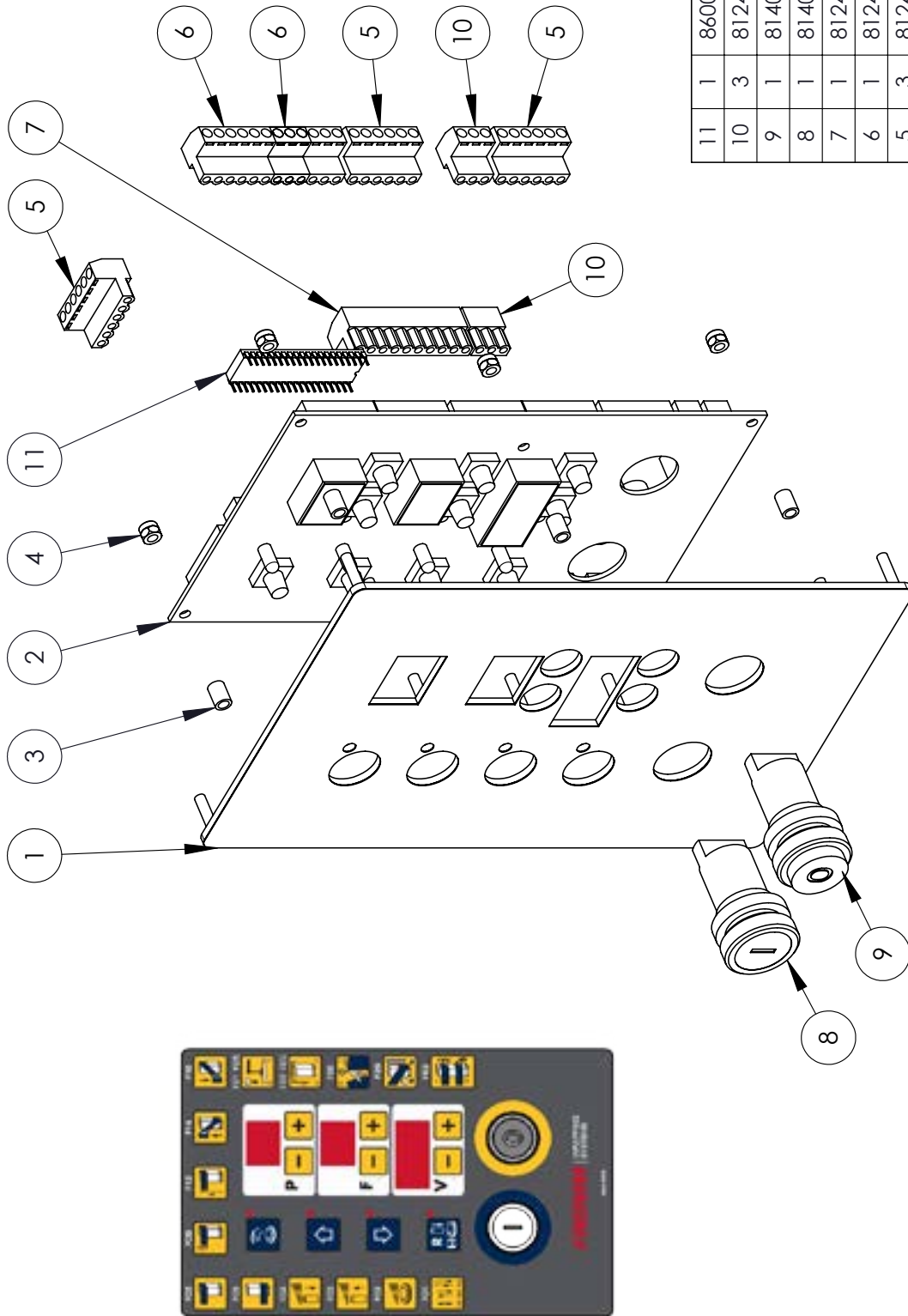
THIS PAGE WAS INTENTIONALLY LEFT BLANK.



PANNELLO QUADRO ELETRICO FS335
FS335 ELECTRICAL PANEL

10010039644

Pos.	Q.tà	Cod.
11	1	81430002205
10	1	81430000676
9	1	80410000679
8	1	10000007646
7	1	10000007009
6	1	80415006467
5	1	81400002043
4	1	81405004587
3	1	81405004586
2	1	10020039645
1	1	10000026252



11	1	86000016772
10	3	81245002080
9	1	81400003976
8	1	81400003975
7	1	81245002078
6	1	81245003046
5	3	81245002074
4	9	20510000124
3	9	81250008830
2	1	10000003718
1	1	10000039646
	Pos.	Qtà
		Cod.

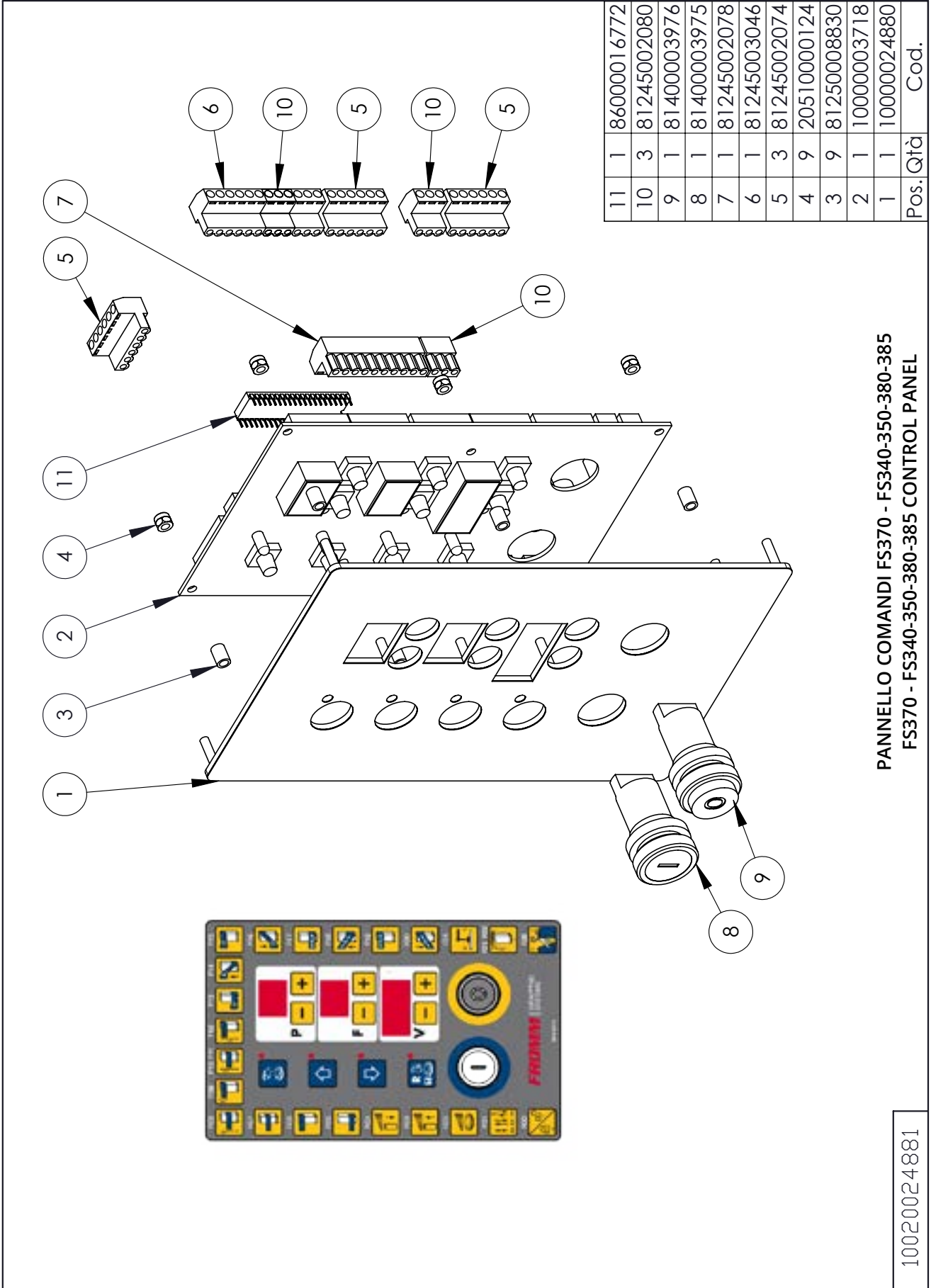
**PANNELLO COMANDI FS335
FS335 CONTROL PANEL**

10020039645

**PANNELLO QUADRO ELETTRICO FS370 - FS340-350-380-385
FS370 - FS340-350-380-385 ELECTRICAL PANEL**

Pos.	Qtd	Cod.
11	1	81430002205
10	1	81430000676
9	1	80410000679
8	1	1000007646
7	1	1000007009
6	1	80415006467
5	1	81400002043
4	1	81405004587
3	1	81405004586
2	1	10020024881
1	1	10000026252

10010033159



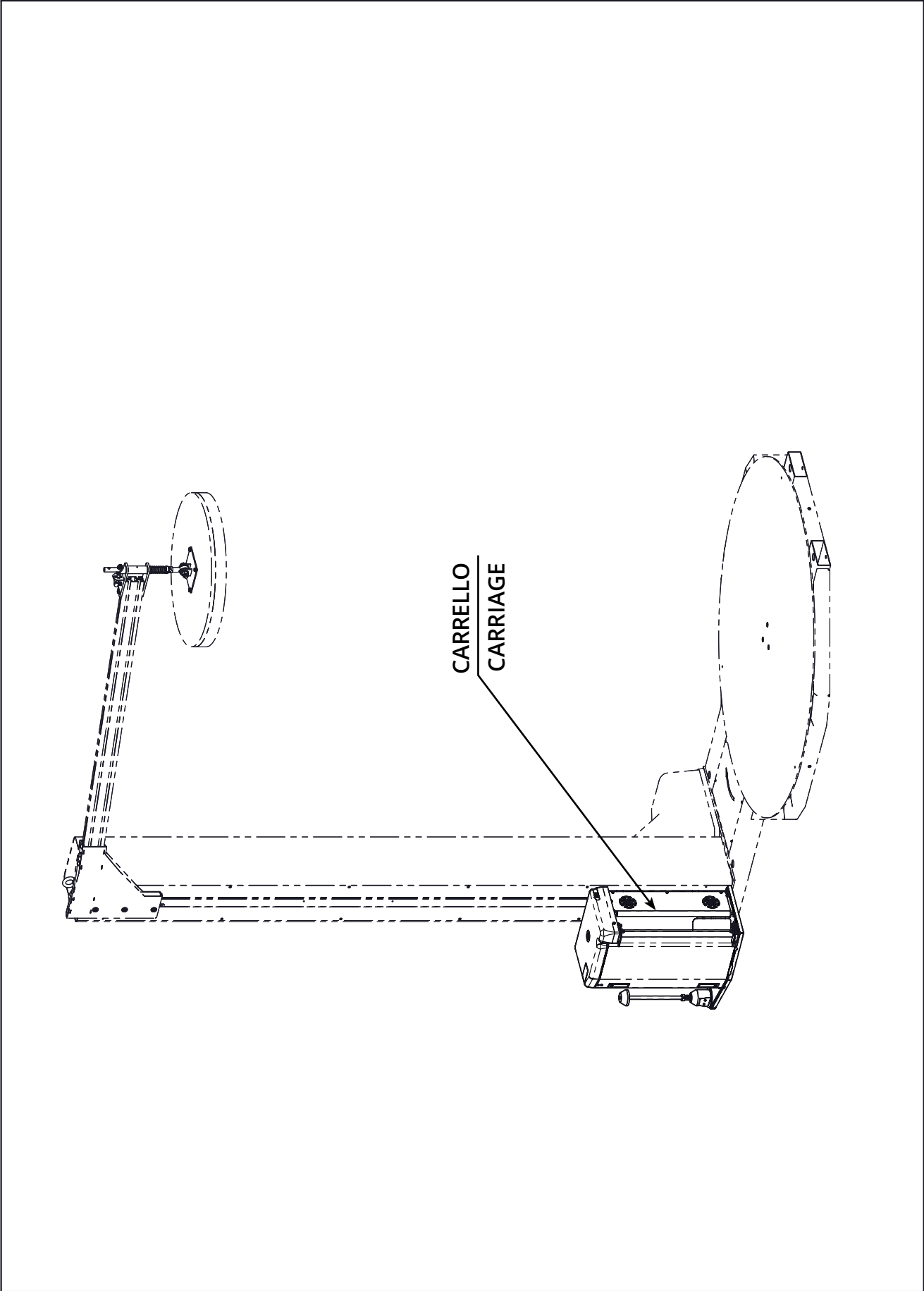
11	1	86000016772
10	3	81245002080
9	1	81400003976
8	1	81400003975
7	1	81245002078
6	1	81245003046
5	3	81245002074
4	9	20510000124
3	9	812500008830
2	1	10000003718
1	1	10000024880
	Pos.	Qtà
		Cod.

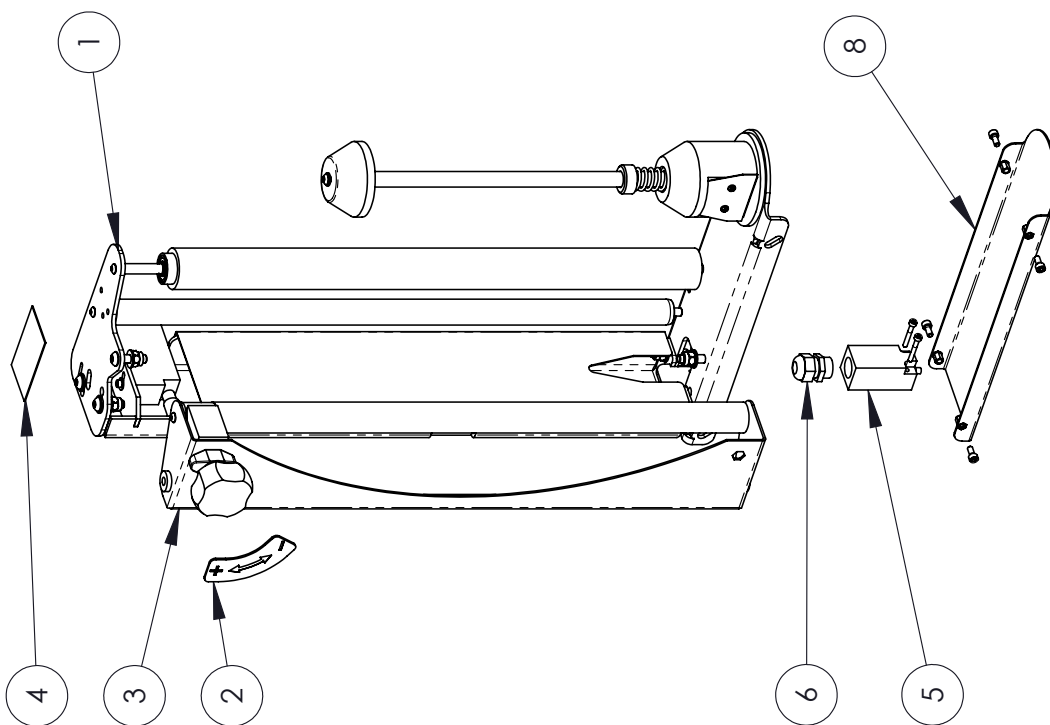
PANNELLO COMANDI FS370 - FS340-350-380-385
FS370 - FS340-350-380-385 CONTROL PANEL

10020024881

QUESTA PAGINA È STATA LASCIATA INTENZIONALMENTE VUOTA.

THIS PAGE WAS INTENTIONALLY LEFT BLANK.

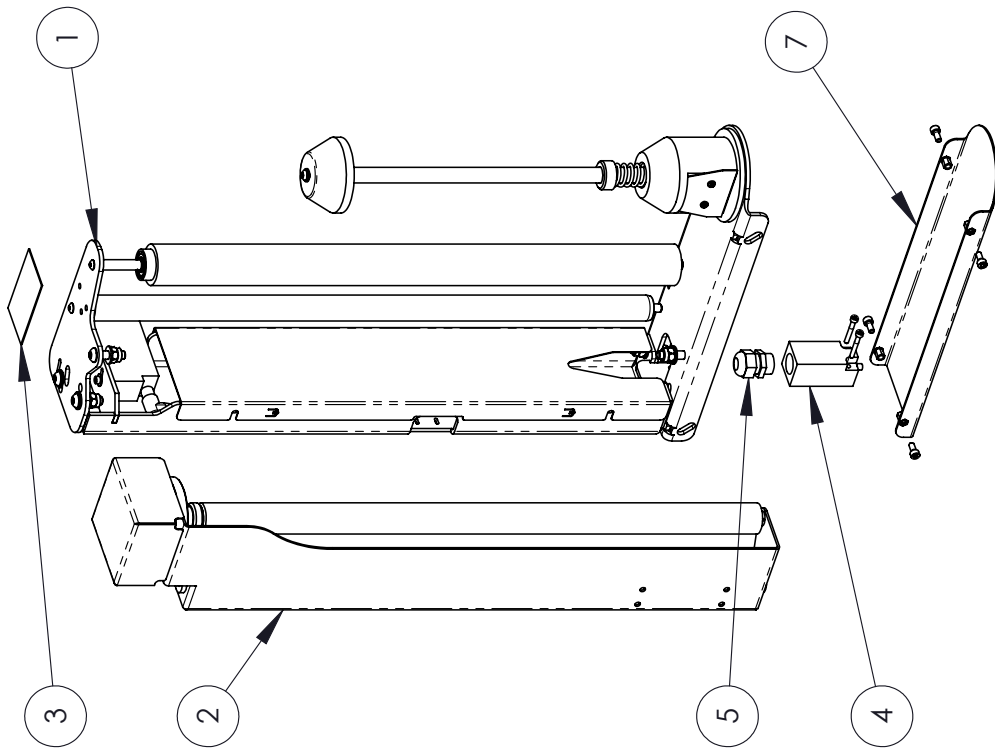




8	1	10000013275
6	1	82230000149
5	1	82400000148
4	1	10000012003
3	1	10010001987
2	1	10000018449
1	1	10010023409
Pos.	Qtà	Cod.

CARRELLO FM(MB)
FM(MB) CARRIAGE

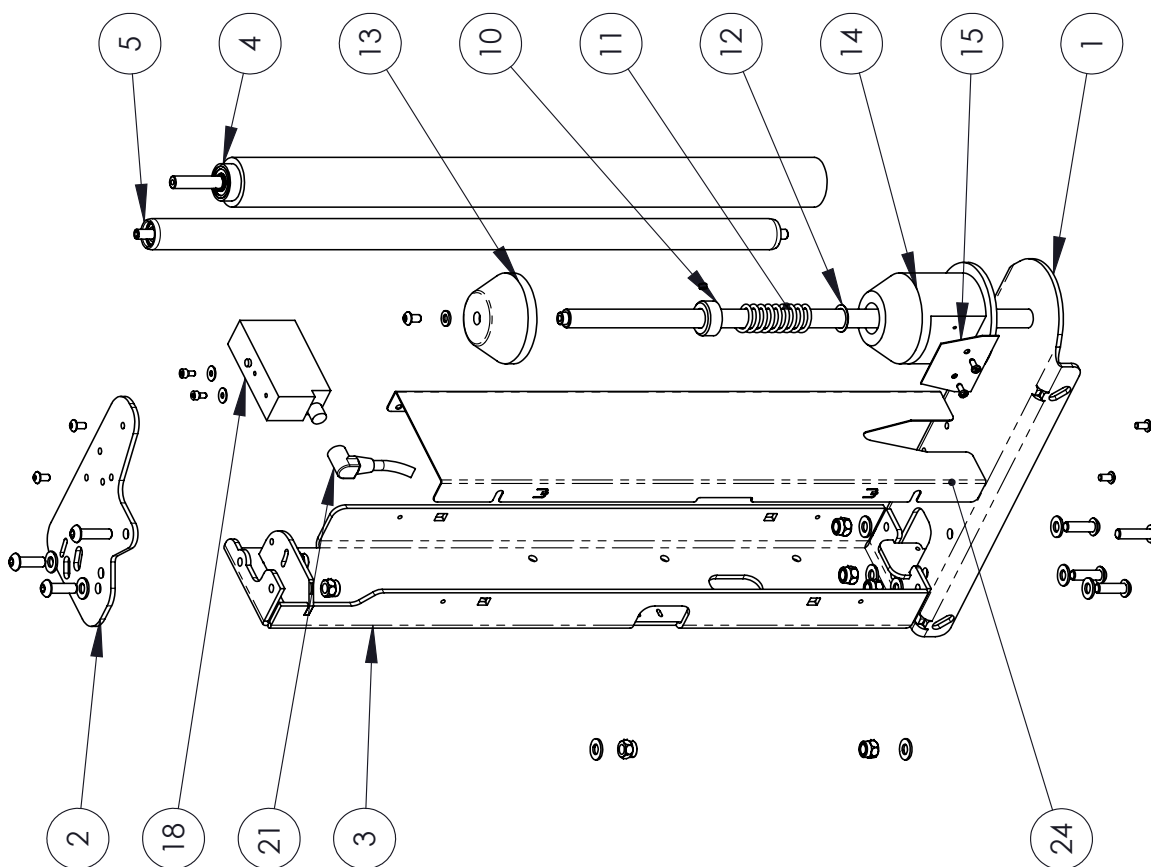
10010023410



7	1	10000013275
5	1	82230000149
4	1	82400000148
3	1	10000012003
2	1	10010038050
1	1	10010023409
Pos.	Qtà	Cod.

**CARRELO FE(EB)
FE(EB) CARRIAGE**

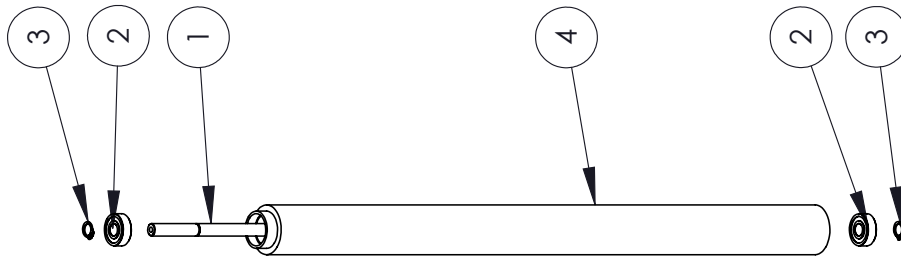
10010038101



24	1	10000023414
21	1	82425000147
18	1	82415000146
15	1	10000000035
14	1	10000000033
13	1	10000000034
12	1	20430000057
11	1	10000000030
10	1	20545000078
5	1	20600013256
4	1	10010001986
3	1	10000023412
2	1	10000023413
1	1	10000014142
Pos.	Qtà	Cod.

TELAIO CARRELLO FE-FM(EB-MB)
FE-FM(EB-MB) CARRIAGE FRAME

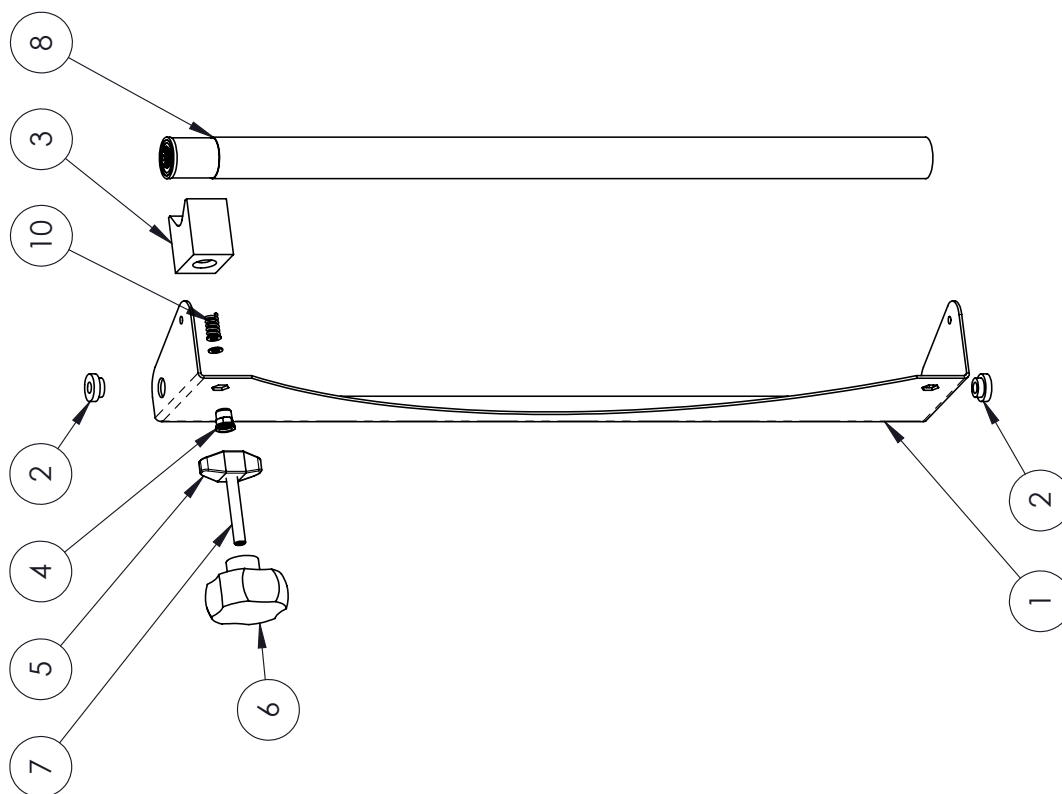
10010023409



**RULLO GOMMATO
RUBBER ROLLER**

10010001986

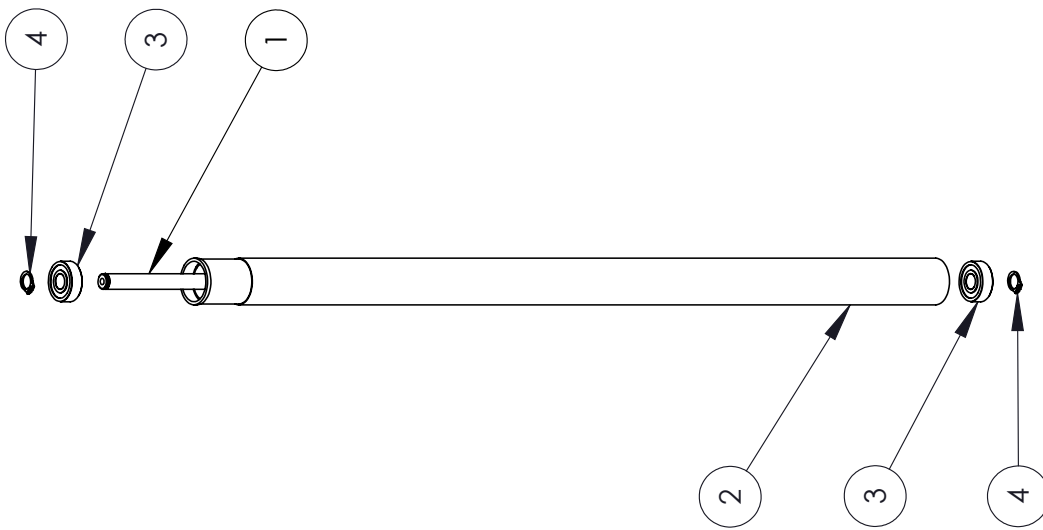
4	1	10000000023
3	2	20525000086
2	2	20410000081
1	1	10000001985
Pos.	Qtà	Cod.



**SUPPORTO RULLO FRENATO FM(MB)
FM(MB) BRAKE ROLLER HOLDER**

11	2	20520000098
10	1	10000000052
9	2	20500000139
8	1	10010001989
7	1	205000002180
6	1	20100002179
5	1	20510002178
4	1	20540000144
3	1	10000000028
2	2	10000000027
1	1	10000001988
Pos.	Qtà	Cod.

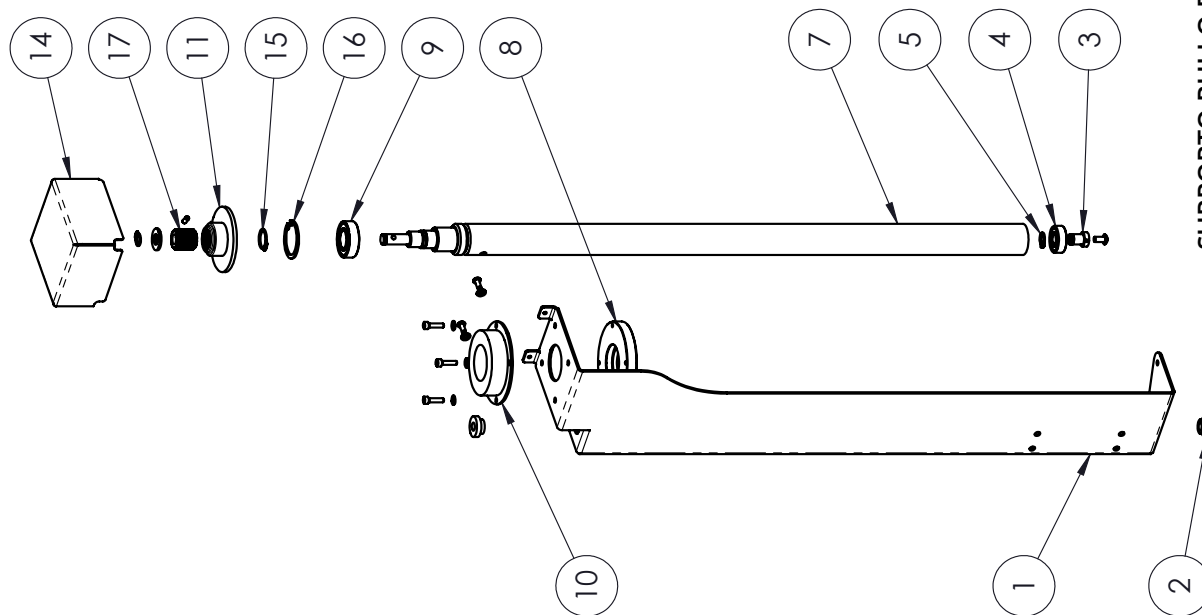
10010001987



**RULLO FRENATO
BRAKE ROLLER**

4	2	20525000086
3	2	20410000081
2	1	10000001990
1	1	10000001991
Pos.	Qtà	Cod.

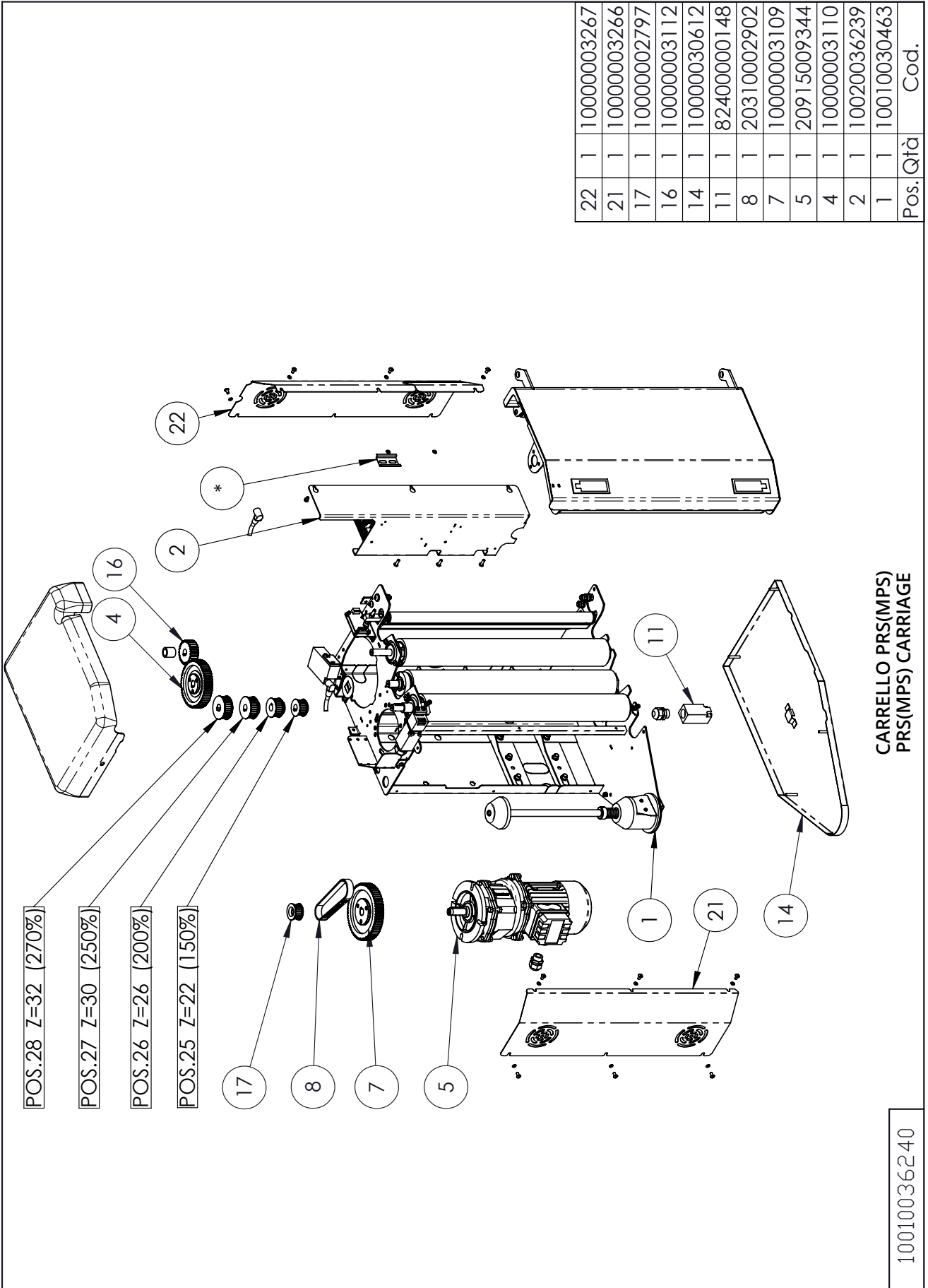
10010001989



SUPPORTO RULLO FRENATO FE(EB)
FE(EB) BRAKE ROLLER HOLDER

17	1	21000038082
16	1	20525002236
15	1	20525001550
14	1	10000038059
11	1	21000038081
10	1	21000038080
9	1	20410020798
8	1	10000038053
7	1	10000038051
5	2	20525000086
4	1	20410000081
3	1	10000032750
2	2	10000000027
1	1	10000038054
Pos.	Qtà	Cod.

10010038050



**CARRELLO PS(MPS2)
PS(MPS2) CARRIAGE**

37	1	10000003267
36	1	10000003266
34	1	10020036234
25	1	10000030612
22	1	82400000148
18	1	10000002797
17	1	10000002726
15	1	20915009344
13	1	10000002723
12	1	10000003116
11	1	20310002903
10	1	10000002720
8	1	10000002799
6	1	20800011303
2	1	10000003246
1	1	10010030463
Pos.	Qtà	Cod.

10010036233

Exploded view diagram of the carriage frame assembly. The diagram shows the main frame (1) with various structural beams (2, 3, 4, 5, 6, 7, 8, 9, 10, 11, 12, 13, 14, 15, 16, 17, 18, 19, 20, 21, 22, 23, 24, 25, 26, 27, 28, 29, 30, 31, 32, 33, 34, 35, 36, 37, 38, 39, 40, 41, 42, 43, 44, 45, 46, 47, 48, 49, 50, 51, 52, 53, 54, 55, 56, 57, 58, 59, 60, 61, 62, 63, 64, 65, 66, 67, 68, 69, 70, 71, 72, 73, 74, 75) and fasteners (1, 2, 3, 4, 5, 6, 7, 8, 9, 10, 11, 12, 13, 14, 15, 16, 17, 18, 19, 20, 21, 22, 23, 24, 25, 26, 27, 28, 29, 30, 31, 32, 33, 34, 35, 36, 37, 38, 39, 40, 41, 42, 43, 44, 45, 46, 47, 48, 49, 50, 51, 52, 53, 54, 55, 56, 57, 58, 59, 60, 61, 62, 63, 64, 65, 66, 67, 68, 69, 70, 71, 72, 73, 74, 75) being assembled onto it.

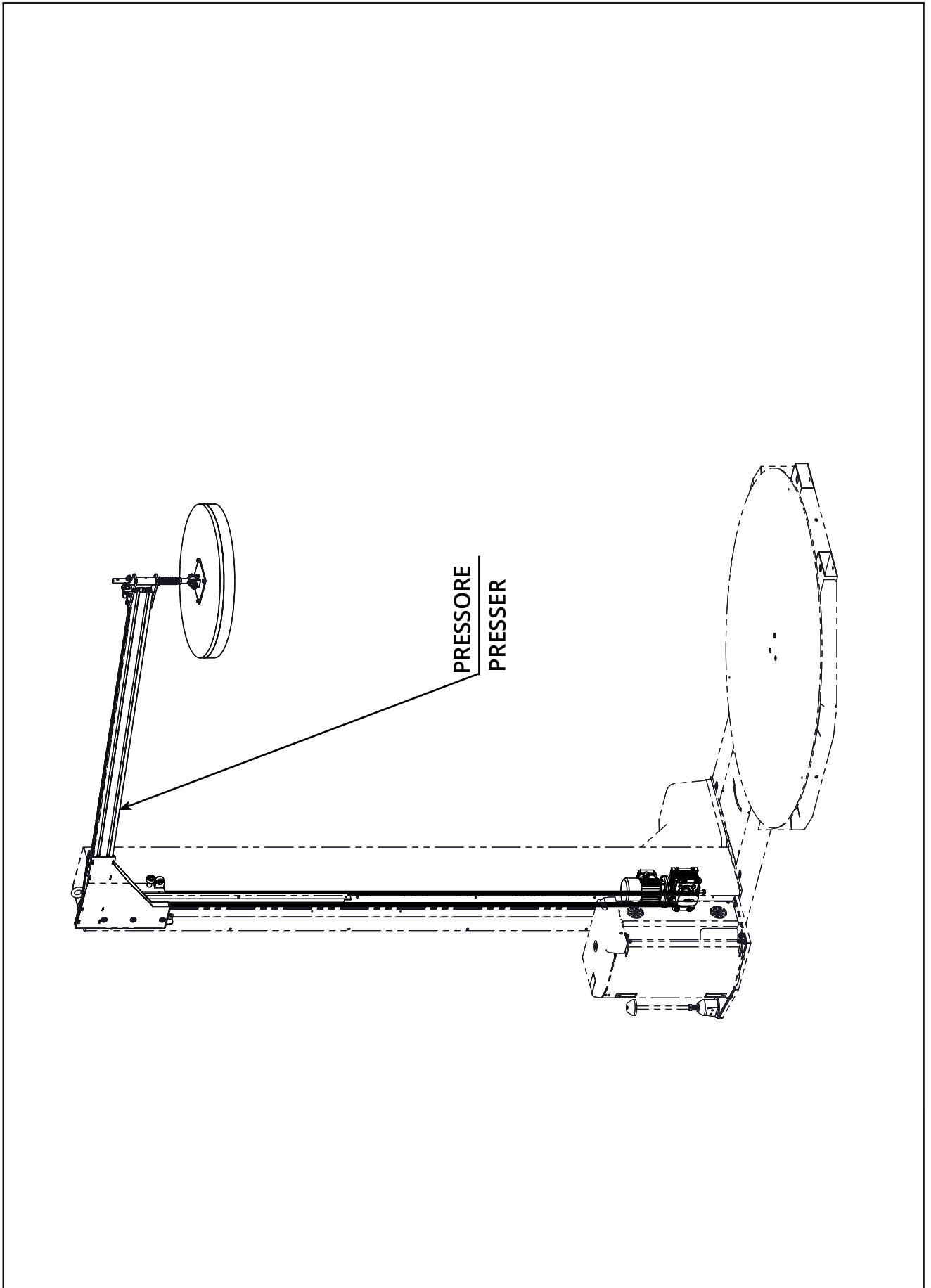
Pos	Q.ty	Code
75	1	81245035129
73	1	10000029673
69	1	10000007014
66	1	10000005181
61	1	82405008594
59	1	82400000672
57	1	82415000146
56	1	82425000147
55	3	20600003321
42	1	10000037772
41	1	10000000198
39	1	81805000204
27	2	20110002872
26	1	10000002708
22	1	10000002701
21	2	20410000082
20	1	10000002727
19	1	10000029693
18	1	10000002684
17	1	10000003162
16	1	20410002893
15	1	10000002711
14	1	10000008654
13	4	20440002896
12	1	10000000035
11	1	10000000034
9	1	10000000030
8	1	10000000033
7	3	10000002692
6	3	20410000080
5	2	10000002682
3	2	10000003159
2	2	20450002877
1	1	10000014345

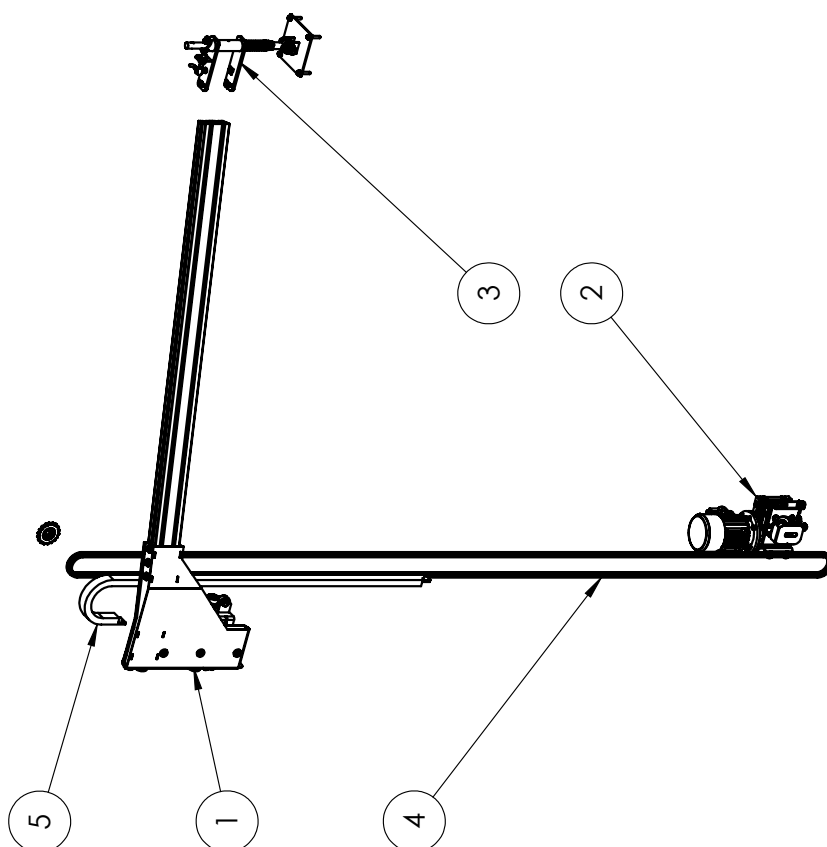
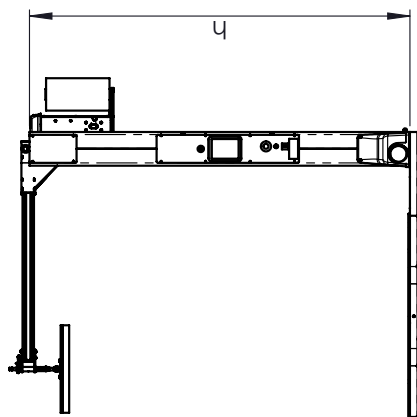
10010030463

**TELAIO CARRELLO PRS-PS(MPS-MPS2)
PRS-PS(MPS-MPS2) CARRIAGE FRAME**

**CARRELO 1PRS(EMPS)
1PRS(EMPS) CARRIAGE**

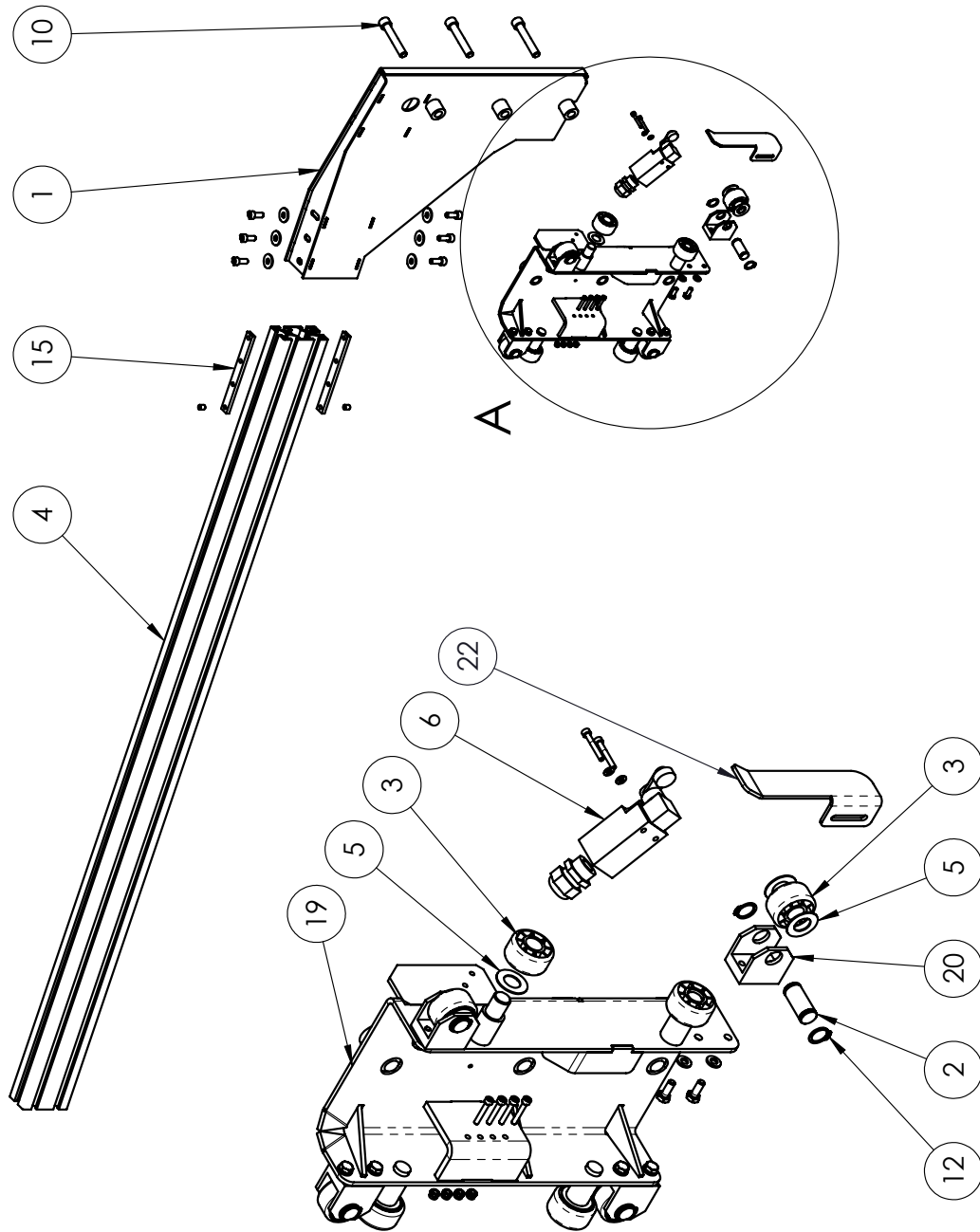
Pos.	Qtà	Cod.
83	1	10000027253
76	1	81005011700
75	1	82000012382
74	1	82000012383
70	1	10000025550
69	1	10000025490
67	1	10000025461
64	1	82425000147
63	1	82415000146
59	1	10000025546
58	1	82400000148
57	1	81400027252
54	1	81805000204
53	4	81250000205
50	1	10000002708
49	1	10000001198
46	1	10000002912
45	1	10000002701
43	1	10000002727
42	2	20410000082
40	1	10000002728
39	2	20600003321
36	1	10000025519
35	1	10000028096
34	1	10000028095
33	1	10000025518
32	1	10000025517
31	1	10000025516
30	1	10000025515
29	1	10000025514
28	1	10000025513
24	1	10000025474
23	1	20800025510
22	1	10000005856
21	1	20310025460
20	1	10000025511
16	1	10000025920
14	2	20410000080
13	2	10000003159
12	2	20450002877
9	1	10000000034
7	1	20545000078
6	1	10000000030
5	1	20430000057
3	1	10000000035
1	1	10000000033
1	1	10000040566





5	1	82215003571	3700
4	1	20315011905	3700
5	1	82215001606	3300
4	1	20315011904	3300
5	1	82215002894	3000
4	1	20315011903	3000
5	1	82215036191	2500
4	1	20315011872	2500
3	1	10010011882	
2	1	10010024658	
1	1	10010032849	
Pos.	Q.TA'	Cod.	h

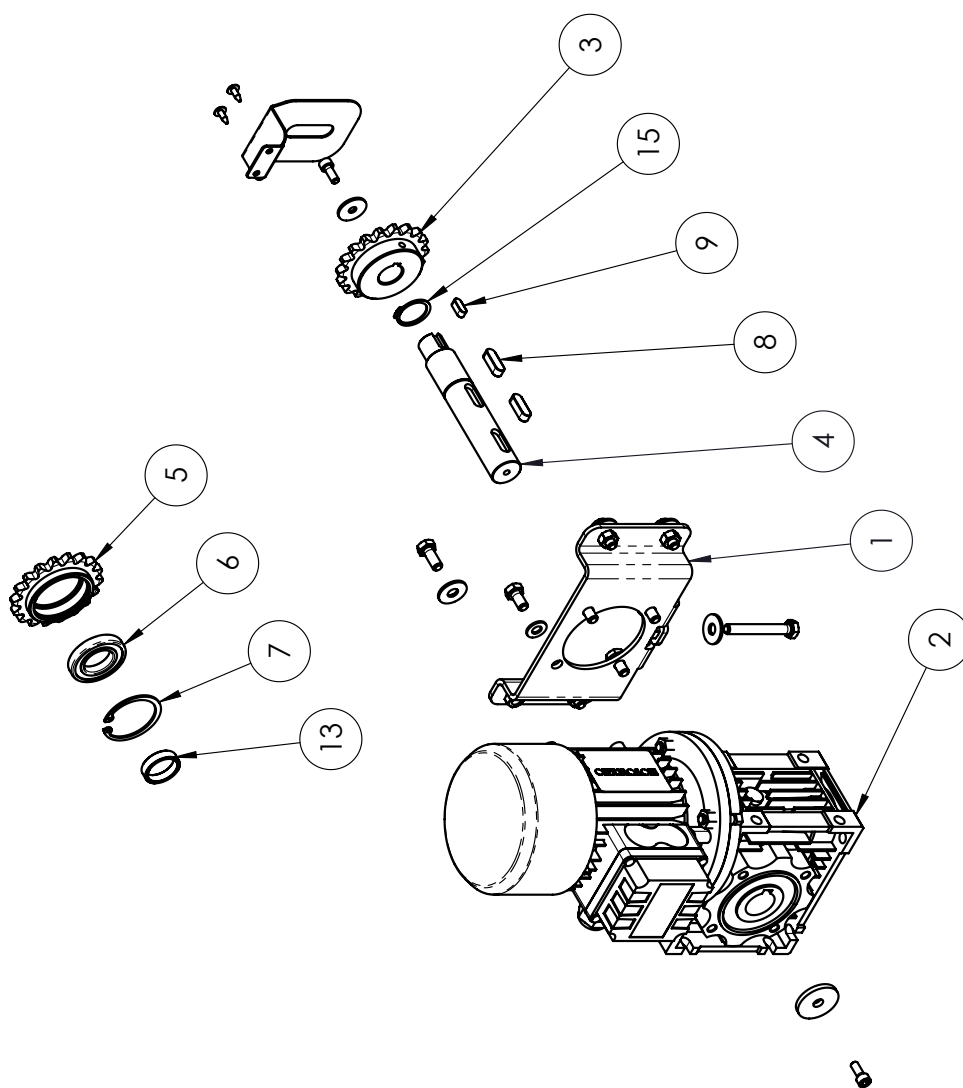
PRESSORE
PRESSER



BRACCIO MOBILE
MOBILE ARM

10010032849

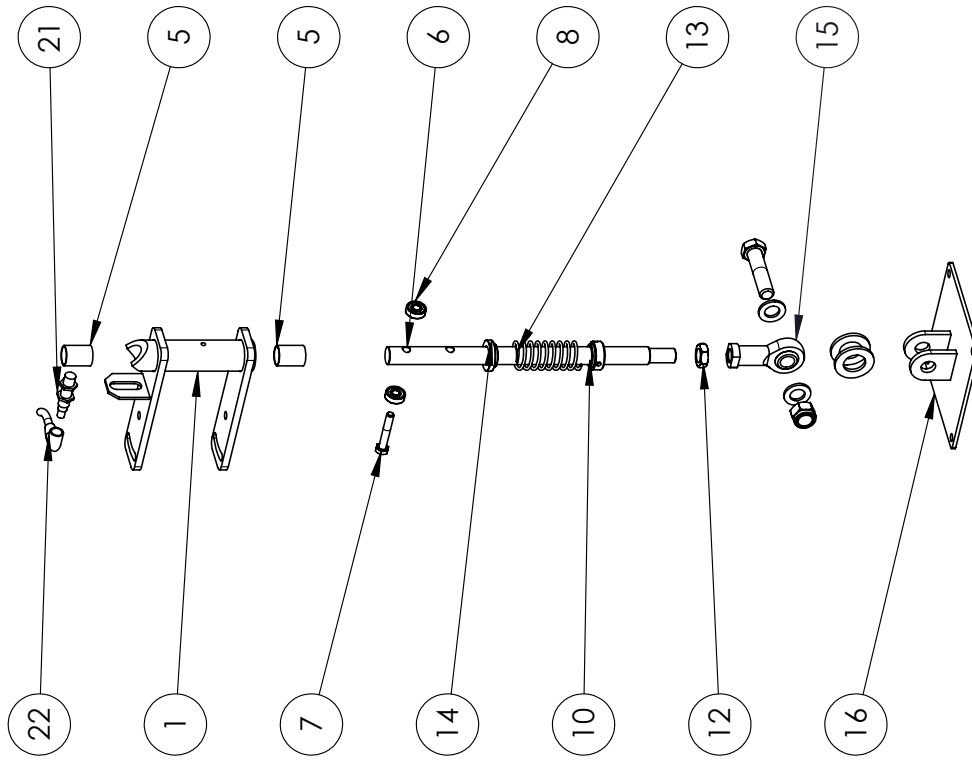
Pos.	Q.ty	Code
22	1	10000032857
20	4	10000032953
19	1	10000032851
15	2	10000001962
12	8	20525001769
10	3	20500012826
6	1	82400000556
5	12	20430000596
4	1	10000000165
3	8	10000001465
2	4	10000011543
1	1	10000011545



21	2	20500023917
20	1	10000042892
15	1	20525000089
13	1	10000011871
9	1	20530004078
8	2	20530001519
7	1	20525000093
6	1	20410011867
5	1	10000011533
4	1	10000011535
3	1	10000011536
2	1	20915011287
1	1	10000024055
Pos.	Q.ty	Code

MOTORIZZAZIONE PRESSORE
PRESSER MOTORIZATION

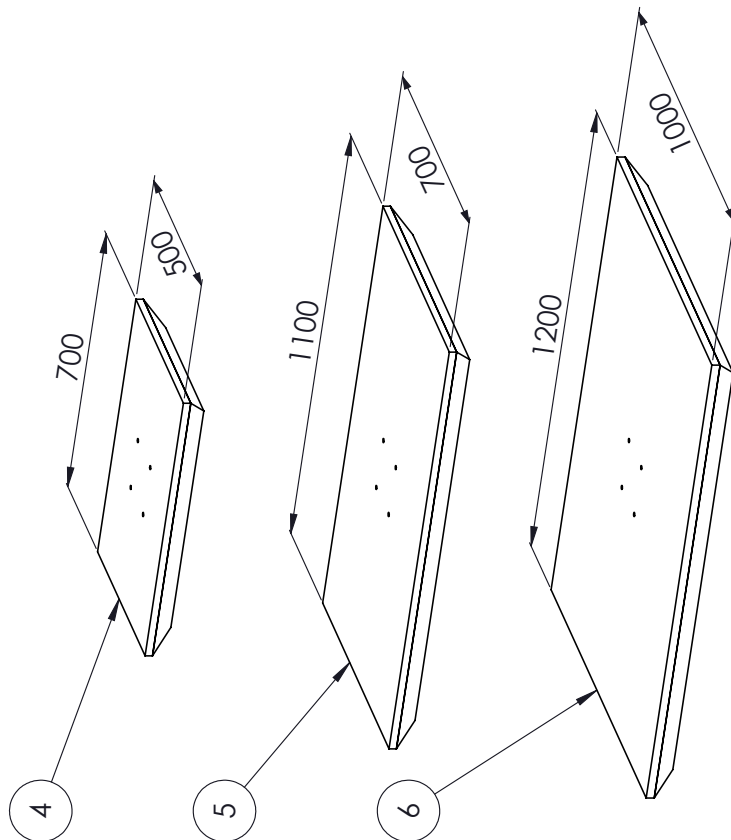
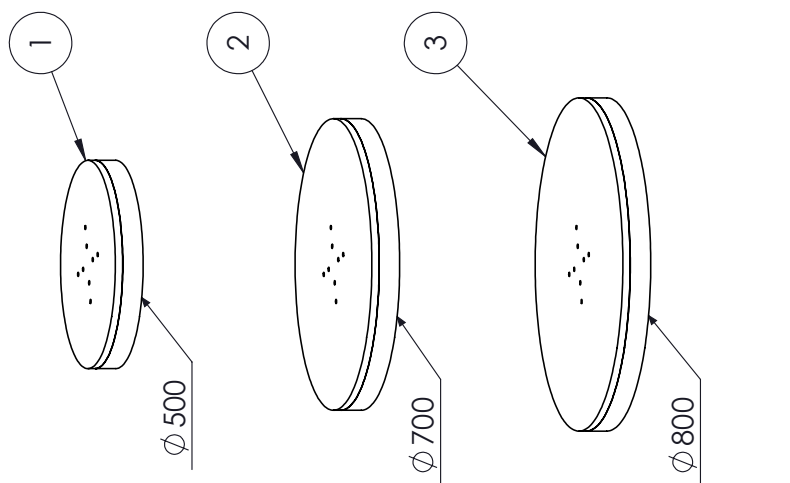
10010024658



SUPPORTO PIATTO
PLATE SUPPORT

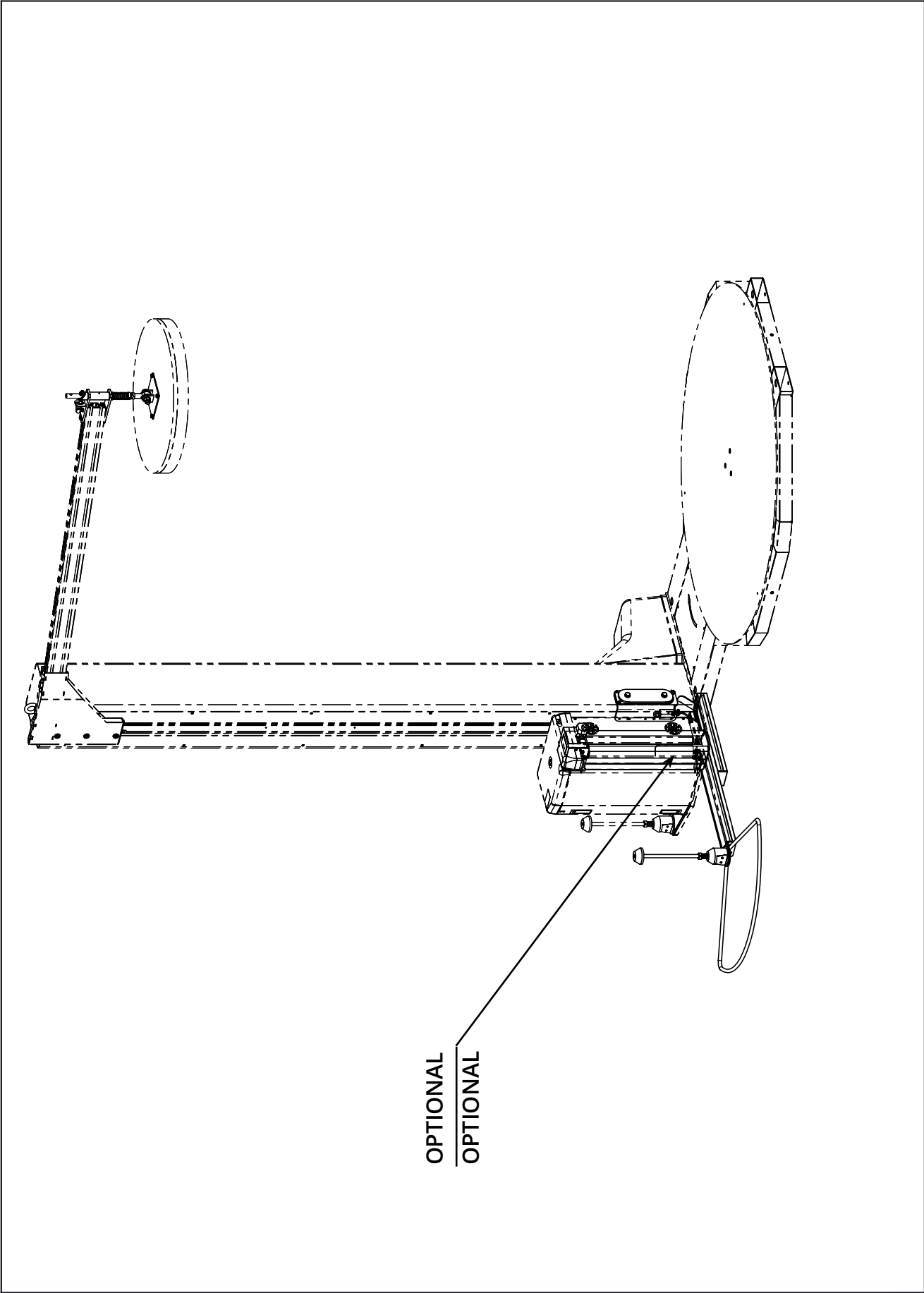
10010011882

Pos.	Q.ty	Code
22	1	82425006208
21	1	82410001118
16	1	10010010699
15	1	40615001364
14	1	10000011880
13	1	10000009588
12	1	20510004991
10	1	10000011881
8	2	20410000082
7	1	20500010570
6	1	10000003178
5	2	20440010596
1	1	10000010542



PIATTO PRESSORE
PRESSER PLATE

6	1	10010030510
5	1	10010012818
4	1	10010006794
3	1	10000023712
2	1	10000000175
1	1	10000013934
Pos.	Qtà	Cod.



OPTIONAL
OPTIONAL

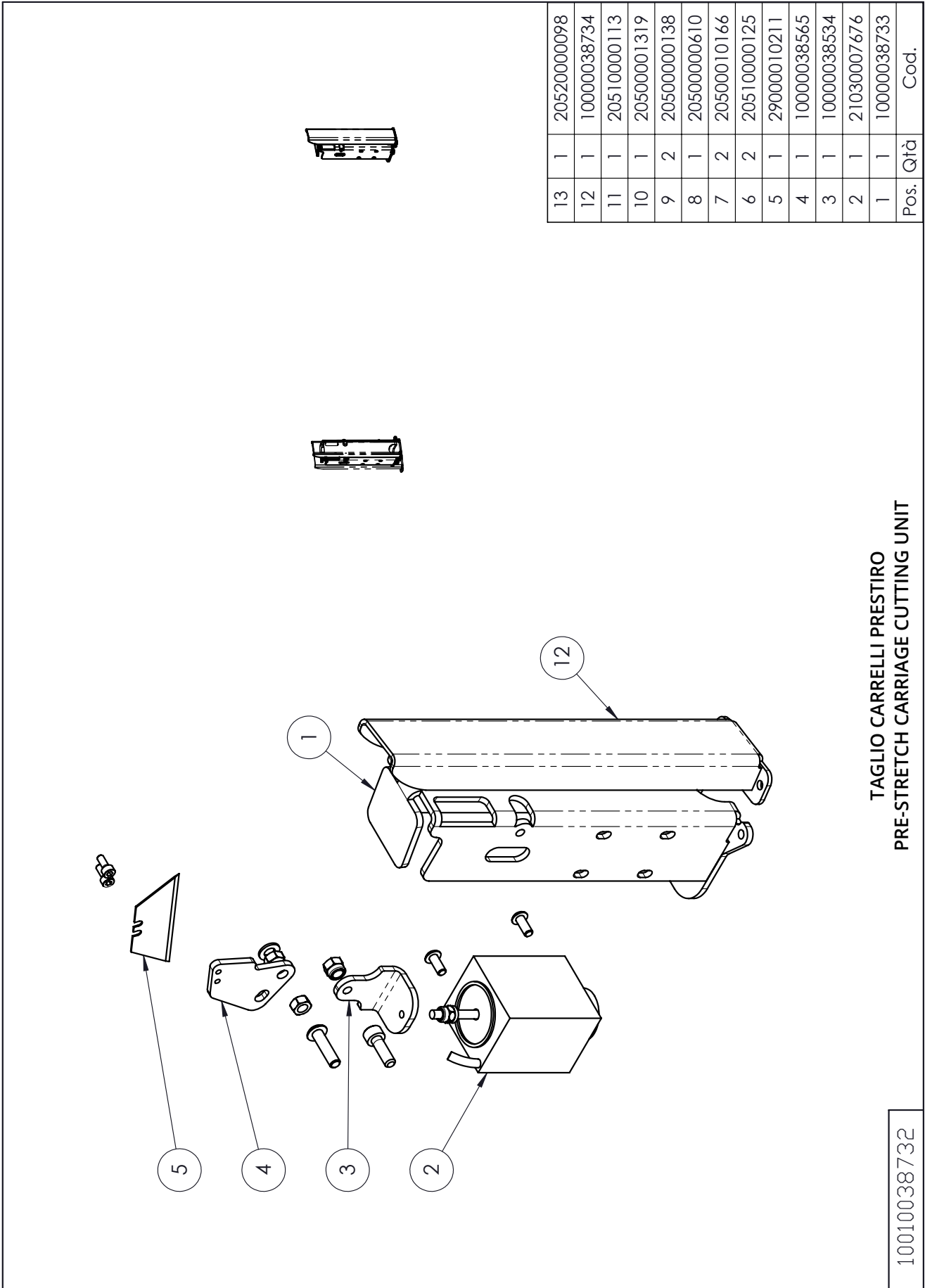
Exploded view diagram of the Pluriball Holder assembly. The diagram includes the following numbered components:

- 1: Main housing
- 2: Drive shaft
- 3: Bracket
- 4: Nut
- 5: Washer
- 6: Seal
- 7: O-ring
- 8: Roller
- 9: Roller
- 10: Nut
- 11: Seal
- 12: Roller
- 13: Roller
- 14: Nut
- 15: Washer
- 16: Seal
- 17: O-ring
- 24: Drive shaft
- 25: Nut
- 27: O-ring
- 28: Seal
- 29: Nut
- 30: Washer
- 32: Seal
- 33: O-ring
- 34: Nut
- 35: Washer
- 37: Nut
- 38: Seal
- 39: O-ring
- 43: Nut
- 49: Seal
- 54: Nut
- 56: Roller
- 57: Roller
- 58: Roller
- 61: Roller

Pos.	Qtd	Cod.
61	1	10000012724
58	3	20235009575
57	1	10000009885
56	1	10000009577
54	2	10000009674
49	1	10000009640
43	2	20410001707
38	1	82230000149
37	1	82400000148
35	1	10000006745
34	1	20500003624
33	1	20510002178
32	1	20100002179
30	1	10000000051
29	1	10000000040
28	1	20530000084
27	1	10000000046
25	1	10000025790
24	1	20430000057
17	1	20525000087
16	1	20410000080
15	1	20545000078
14	1	10000000030
13	1	10000000035
12	1	10000000033
11	1	10000000034
10	1	20525000092
9	1	10000009601
8	2	20600000071
7	2	20525000088
6	1	10000000044
5	1	10000000042
4	1	20410000079
3	1	10000009600
2	1	10000009610
1	1	10000009603

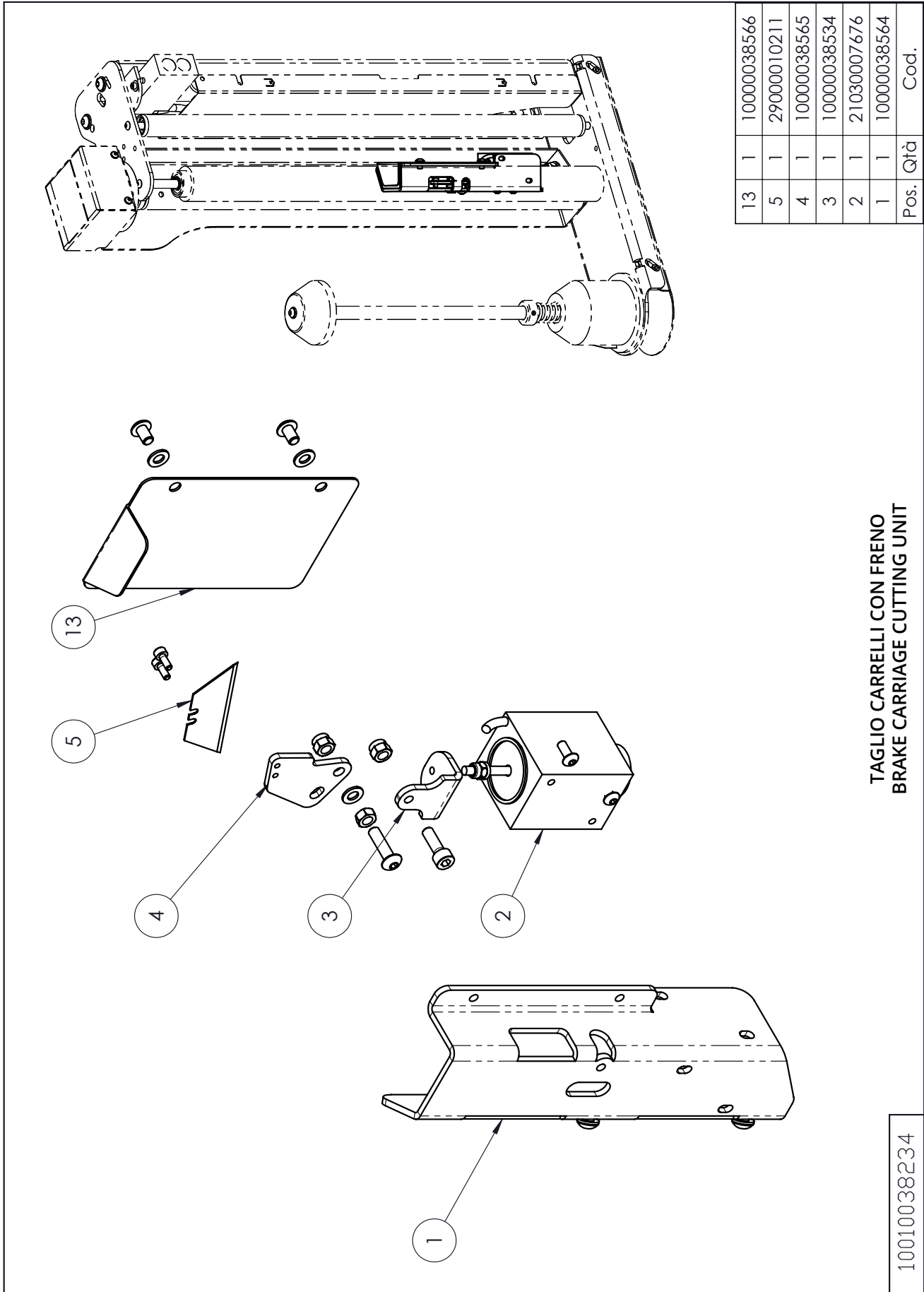
**PORTA PLURIBALL
PLURIBALL HOLDER**

10010009593



TAGLIO CARRELLI PRESTIRO
PRE-STRETCH CARRIAGE CUTTING UNIT

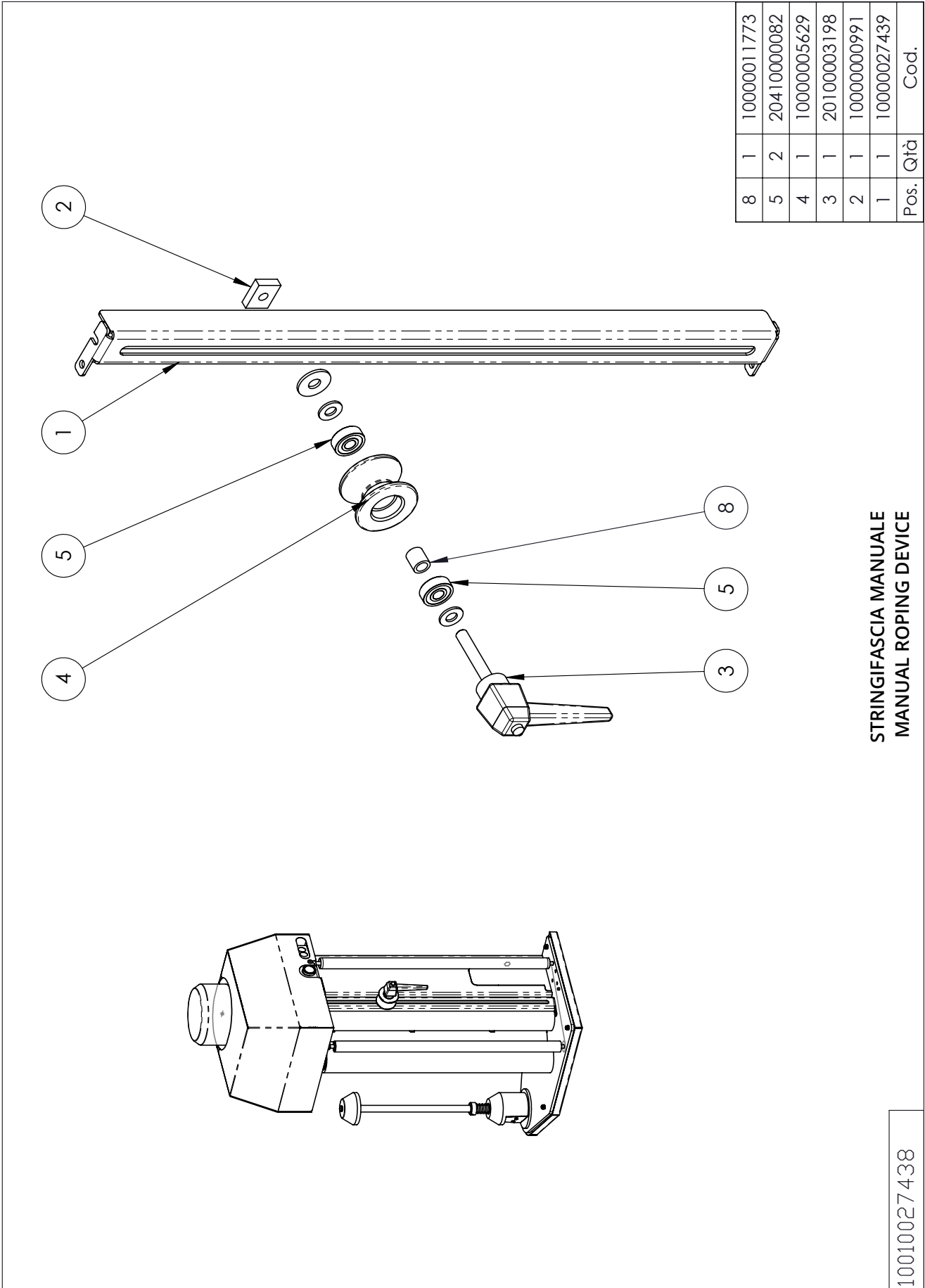
10010038732



TAGLIO CARRELLI CON FRENO
BRAKE CARRIAGE CUTTING UNIT

13	1	10000038566
5	1	29000010211
4	1	10000038565
3	1	10000038534
2	1	21030007676
1	1	10000038564
Pos.	Qtà	Cod.

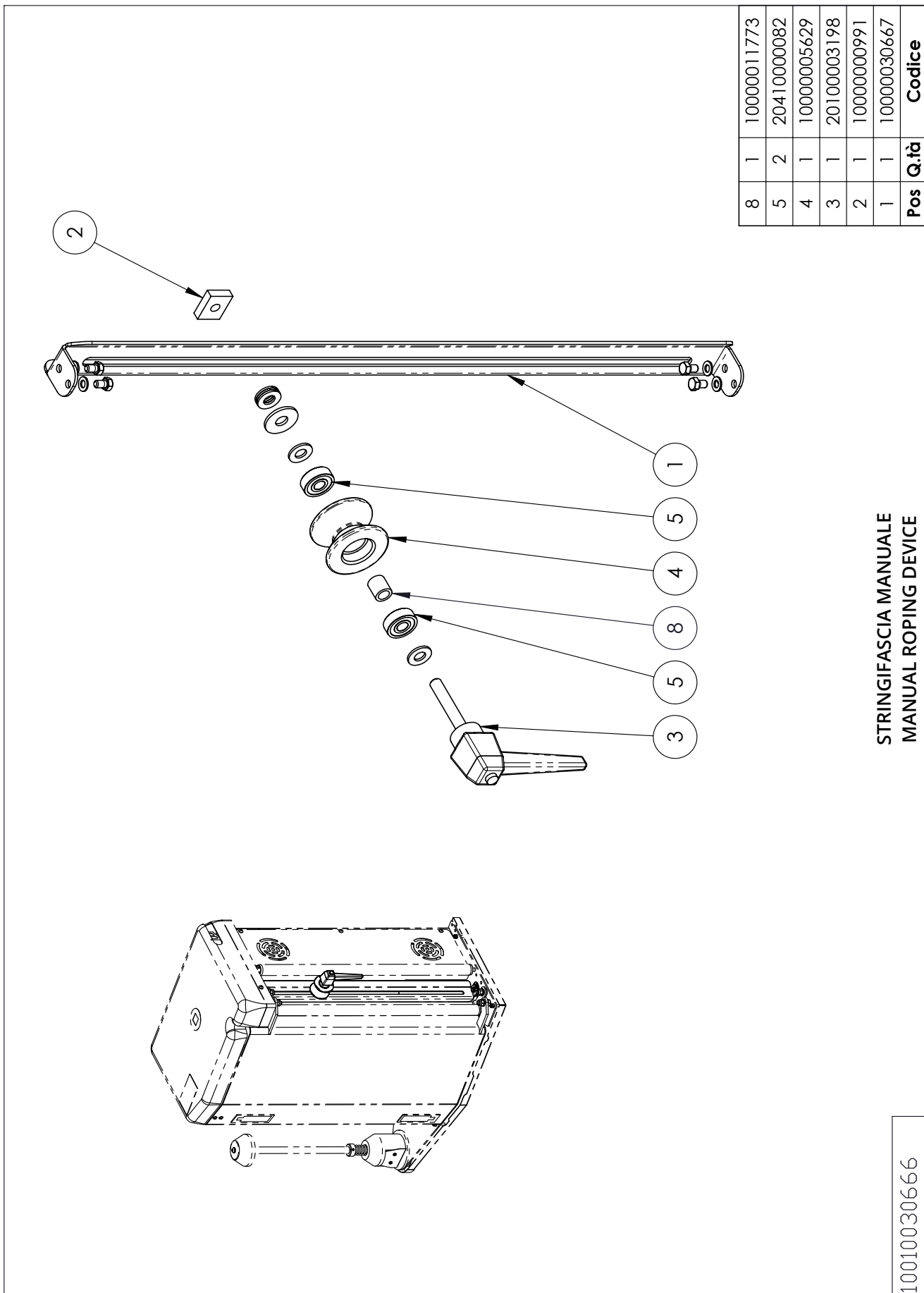
10010038234



8	1	10000011773
5	2	20410000082
4	1	10000005629
3	1	20100003198
2	1	10000000991
1	1	10000027439
Pos.	Qtd	Cod.

**STRINGIFASCIA MANUALE
MANUAL ROPING DEVICE**

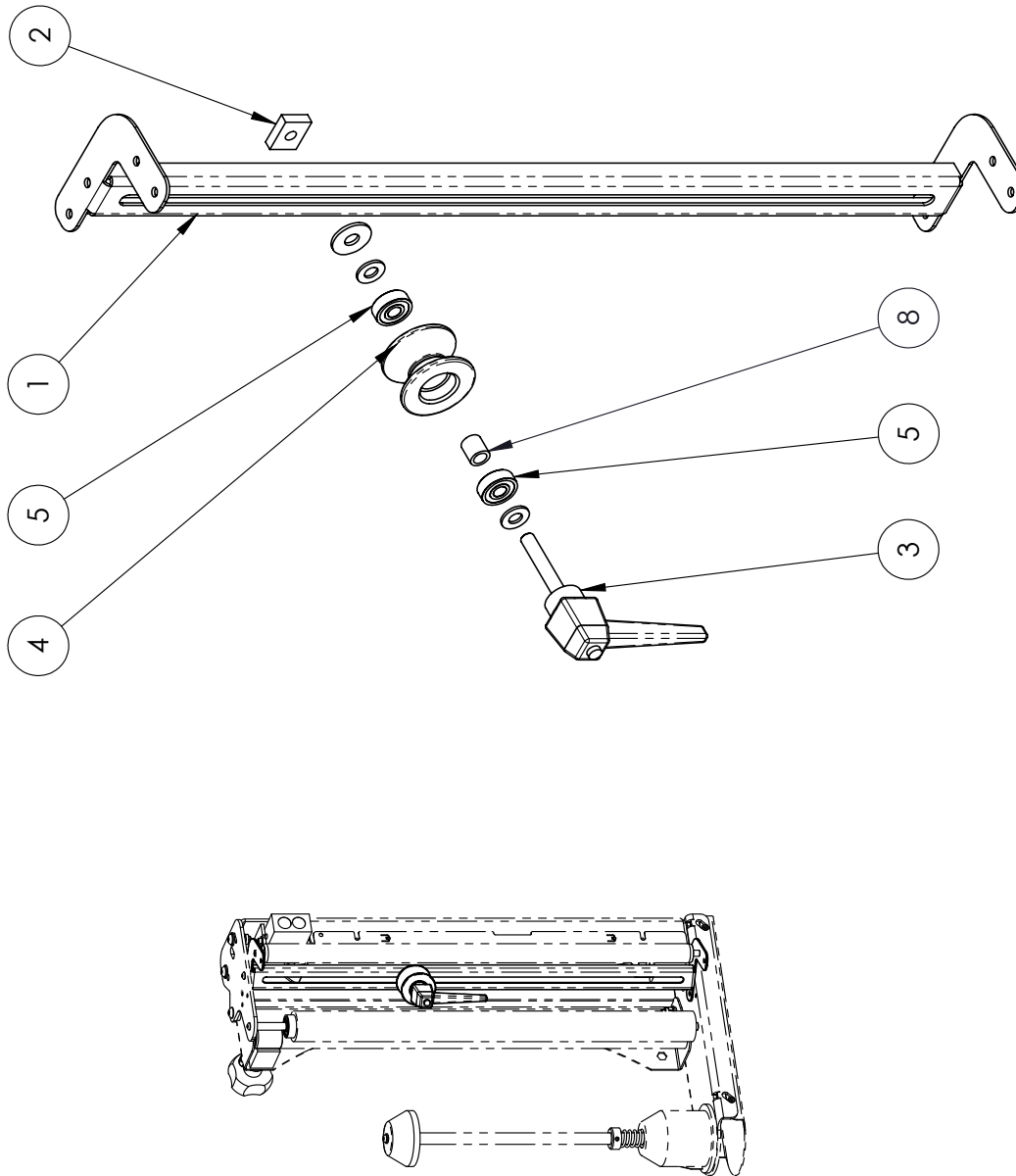
10010027438



Pos	Q.tà	Codice
8	1	10000011773
5	2	20410000082
4	1	10000005629
3	1	20100003198
2	1	10000000991
1	1	10000030667

STRINGIFASCIA MANUALE
MANUAL ROPING DEVICE

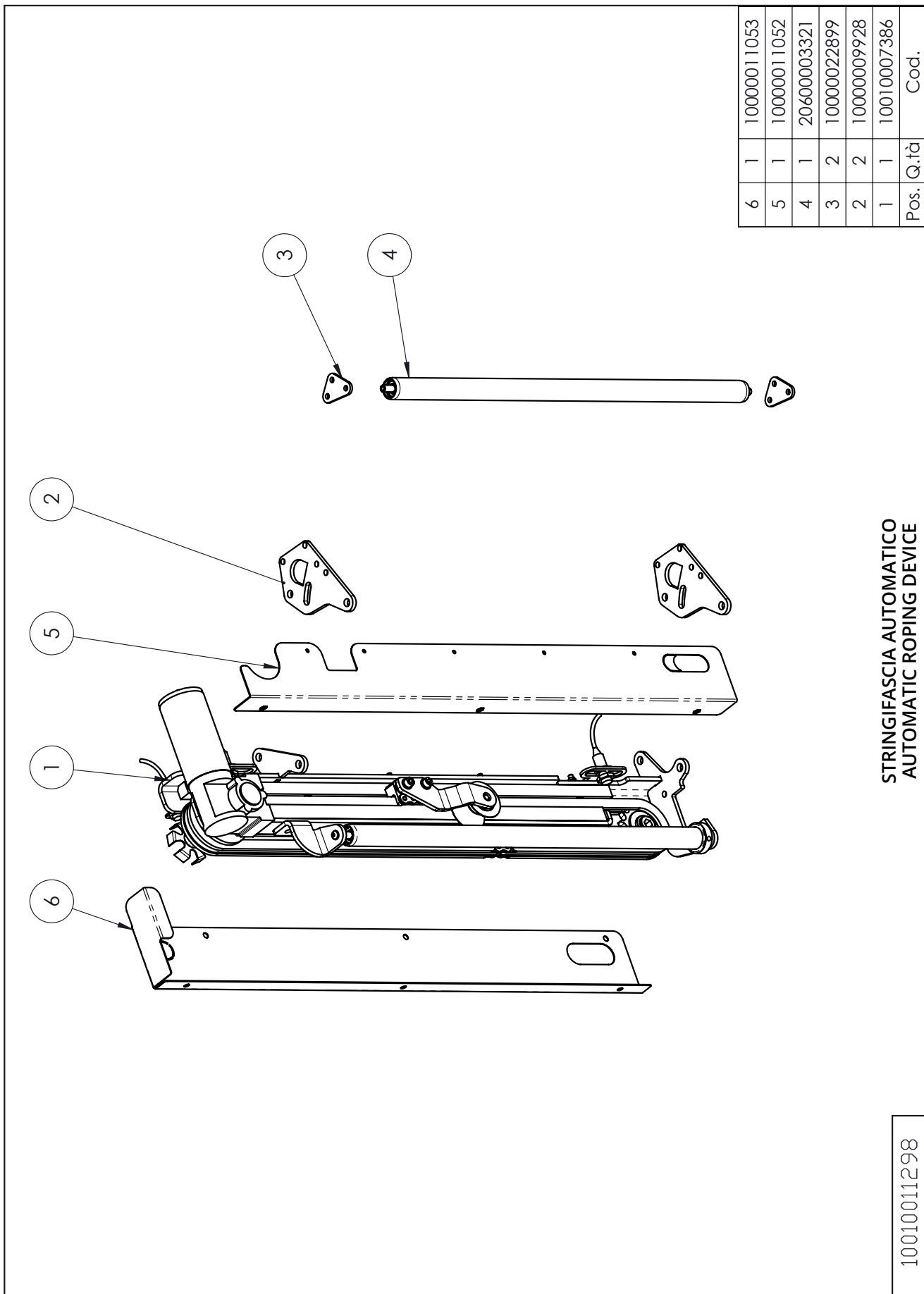
10010030666



8	1	10000011773
5	2	20410000082
4	1	10000005629
3	1	20100003198
2	1	10000000991
1	1	10000024213
Pos.	Qtà	Cod.

**STRINGIFASCIA MANUALE
MANUAL ROPING DEVICE**

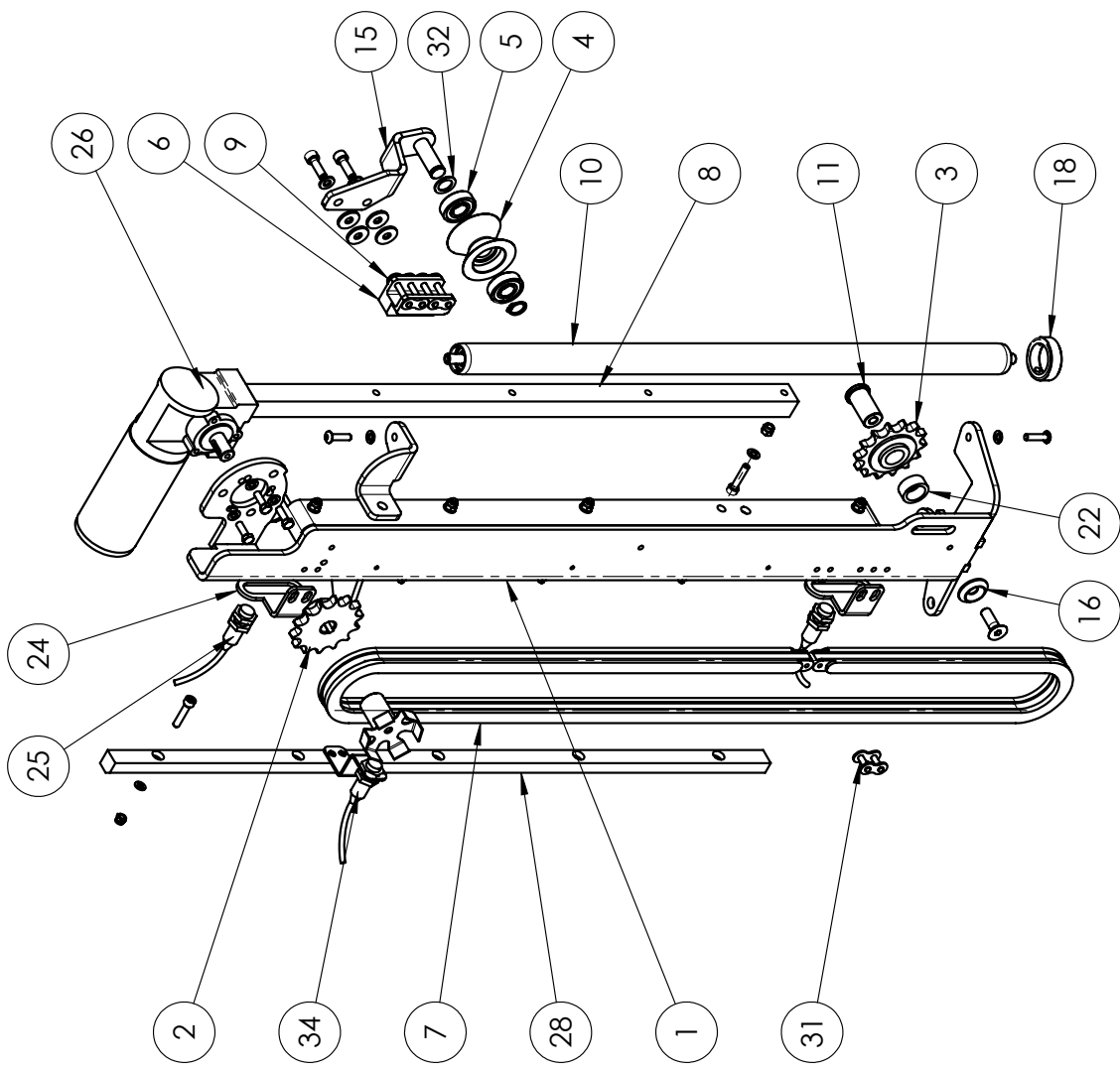
10010024212



6	1	10000011053
5	1	10000011052
4	1	20600003321
3	2	10000022899
2	2	10000009928
1	1	10010007386
Pos.	Q.tà	Cod.

STRINGIFASCIA AUTOMATICO
AUTOMATIC ROPING DEVICE

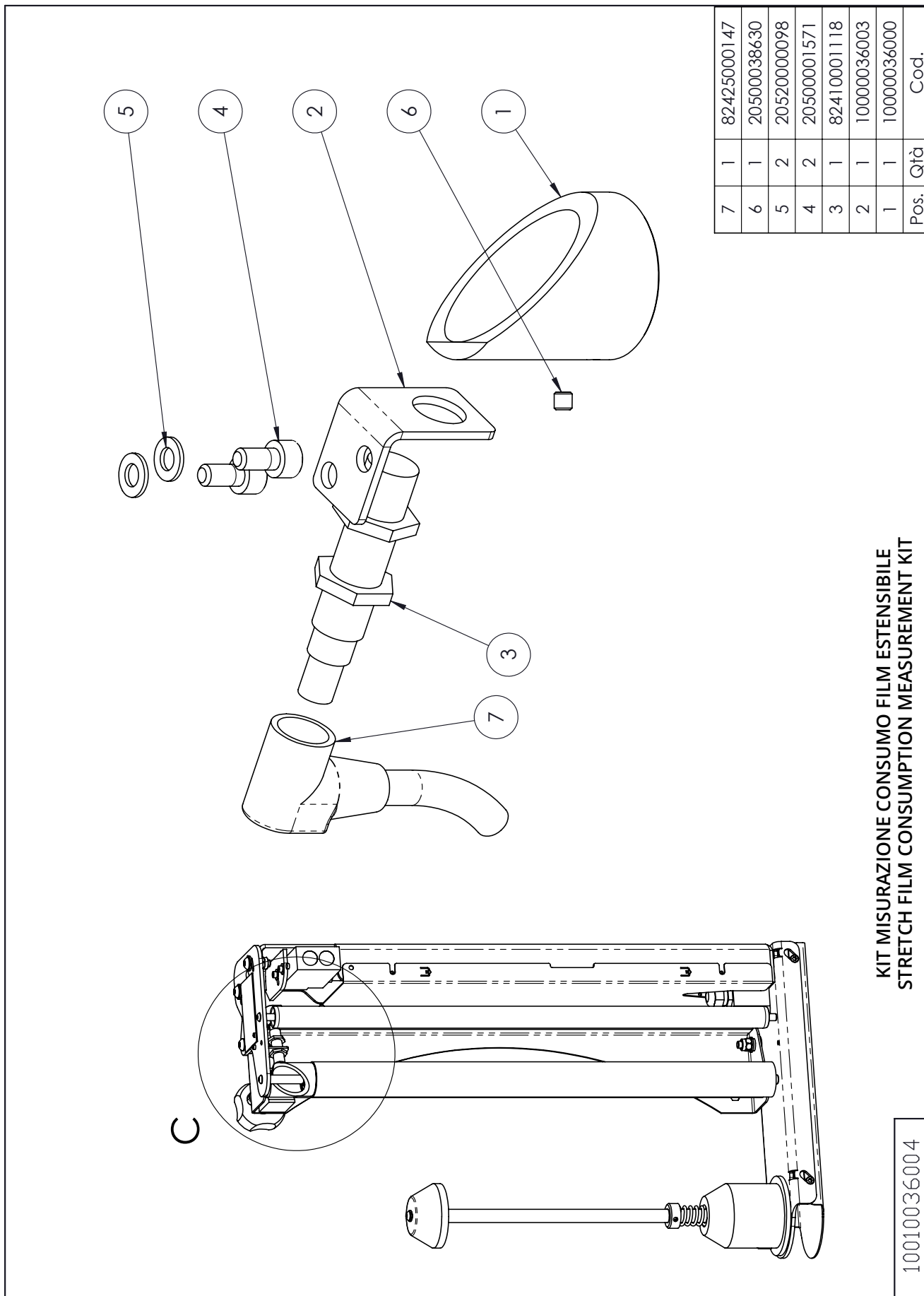
10010011298



34	1	10010025584
32	1	20400020075
31	1	20315000605
28	1	10000007640
26	1	20800007519
25	2	82410003235
24	2	10000007440
22	1	10000007431
18	1	10000007429
16	1	20520003670
15	1	10000007404
11	1	10000007391
10	1	20600003321
9	2	20315002237
8	1	10000007393
7	1	20315007392
6	1	10000007394
5	2	20410000080
4	1	10000007389
3	1	20345000522
2	1	10000007390
1	1	10000007398
Pos.	Q.tà	Cod.

MOTORIZZAZIONE STRINGIFASCIA
ROPING DEVICE MOTORIZATION

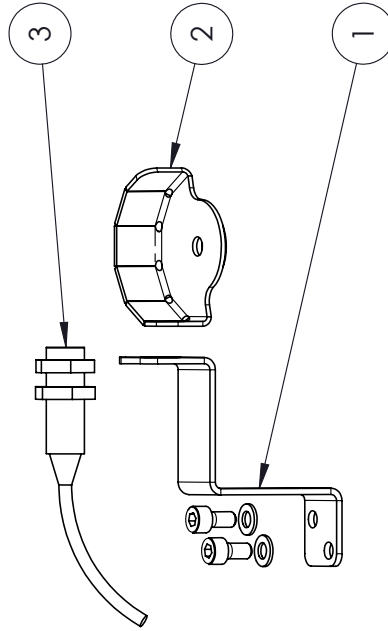
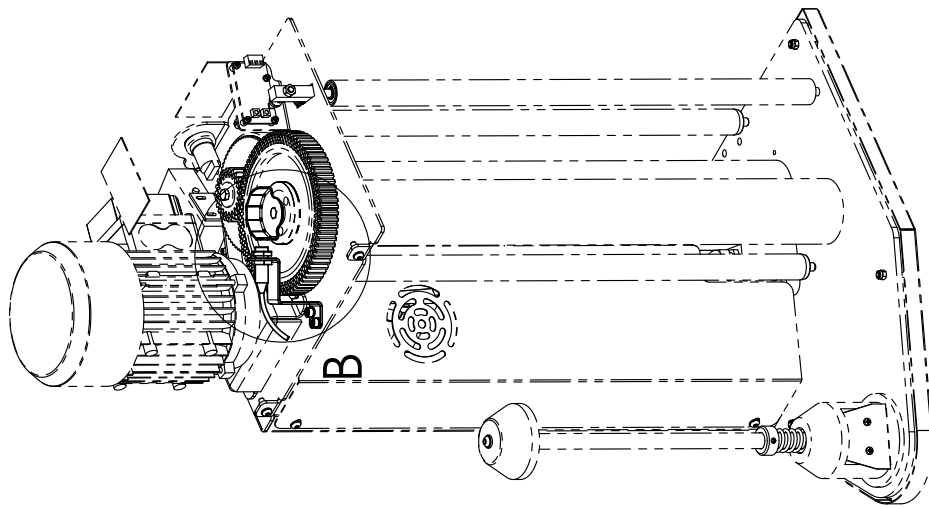
10010007386



7	1	82425000147
6	1	20500038630
5	2	20520000098
4	2	20500001571
3	1	82410001118
2	1	10000036003
1	1	10000036000
Pos.	Qtà	Cod.

KIT MISURAZIONE CONSUMO FILM ESTENSIBILE
STRETCH FILM CONSUMPTION MEASUREMENT KIT

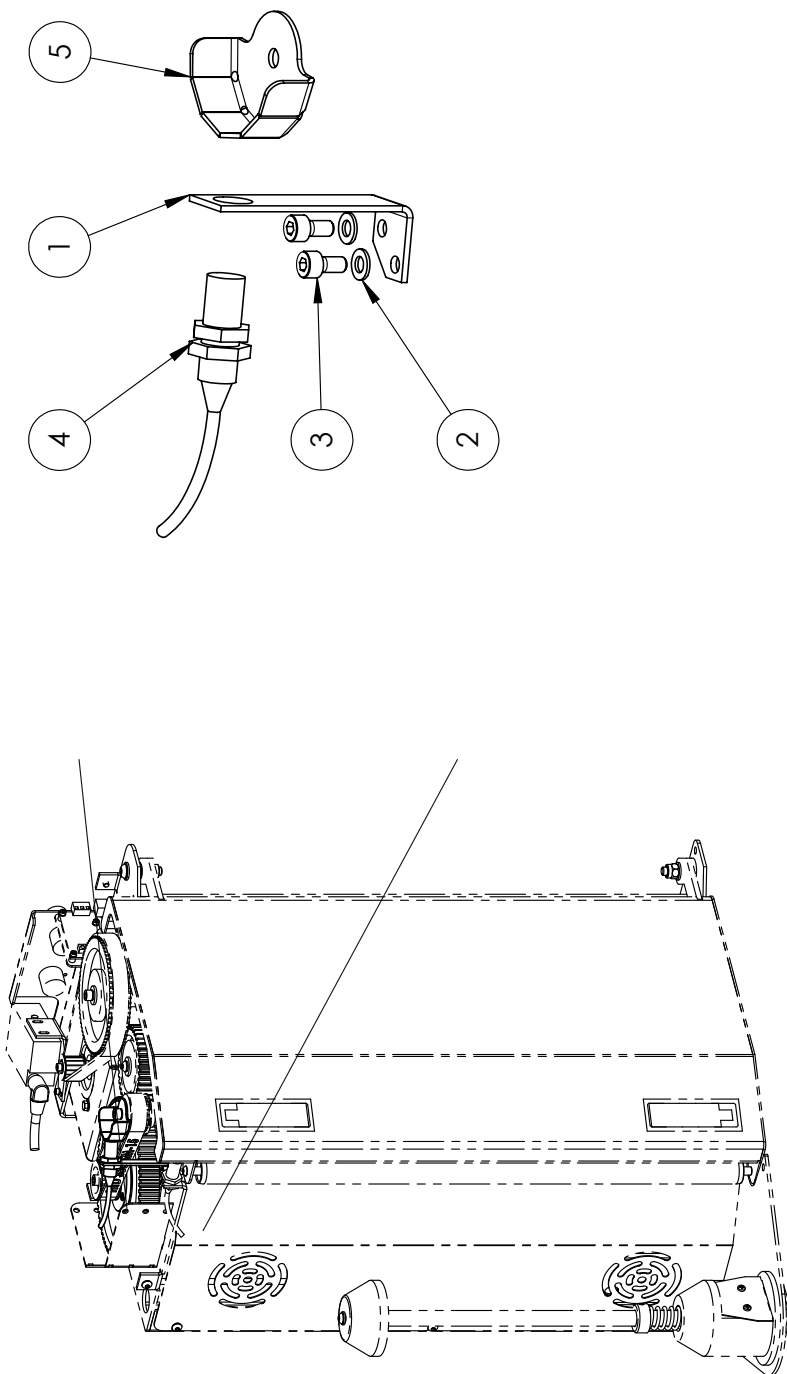
10010036004



KIT MISURAZIONE CONSUMO FILM ESTENSIBILE
STRETCH FILM CONSUMPTION MEASUREMENT KIT

10010035945

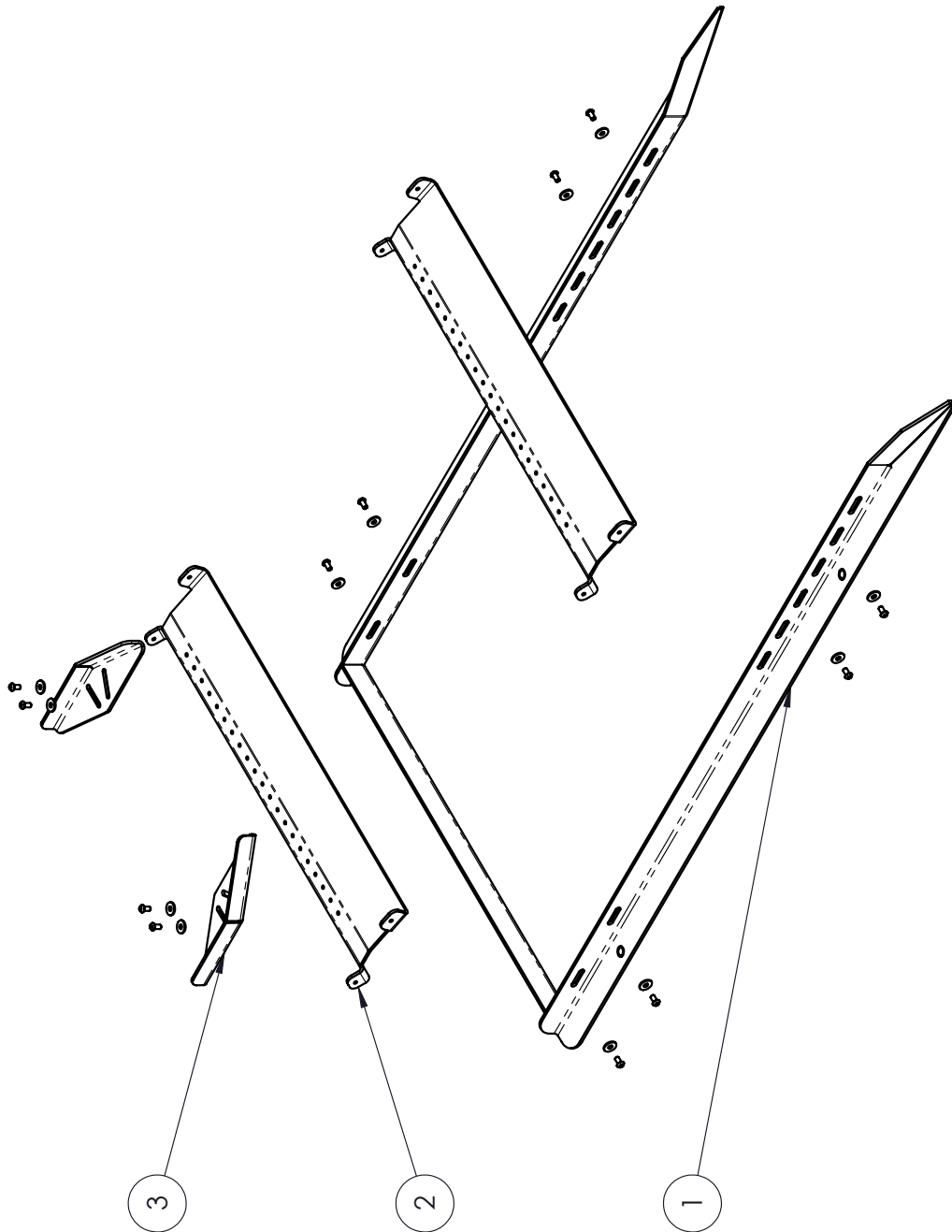
Pos.	Qty	Cod.
3	1	82410003235
2	1	1000006806
1	1	10000035944



5	1	10000006806
4	1	82410003235
3	2	20500001571
2	2	20520000098
1	1	10000003333
Pos	Q.tà	Codice

KIT MISURAZIONE CONSUMO FILM ESTENSIBILE
STRETCH FILM CONSUMPTION MEASUREMENT KIT

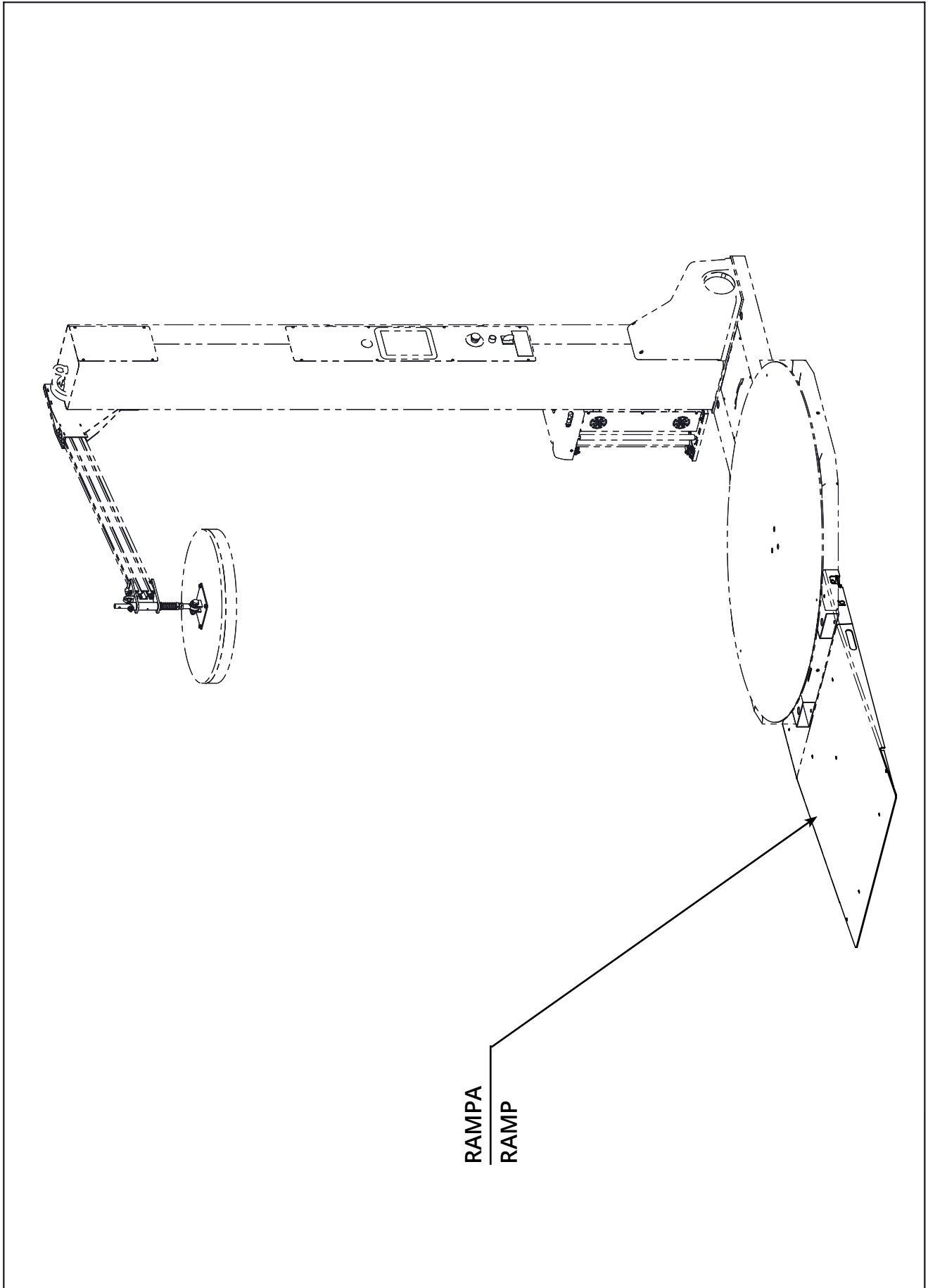
10010006805

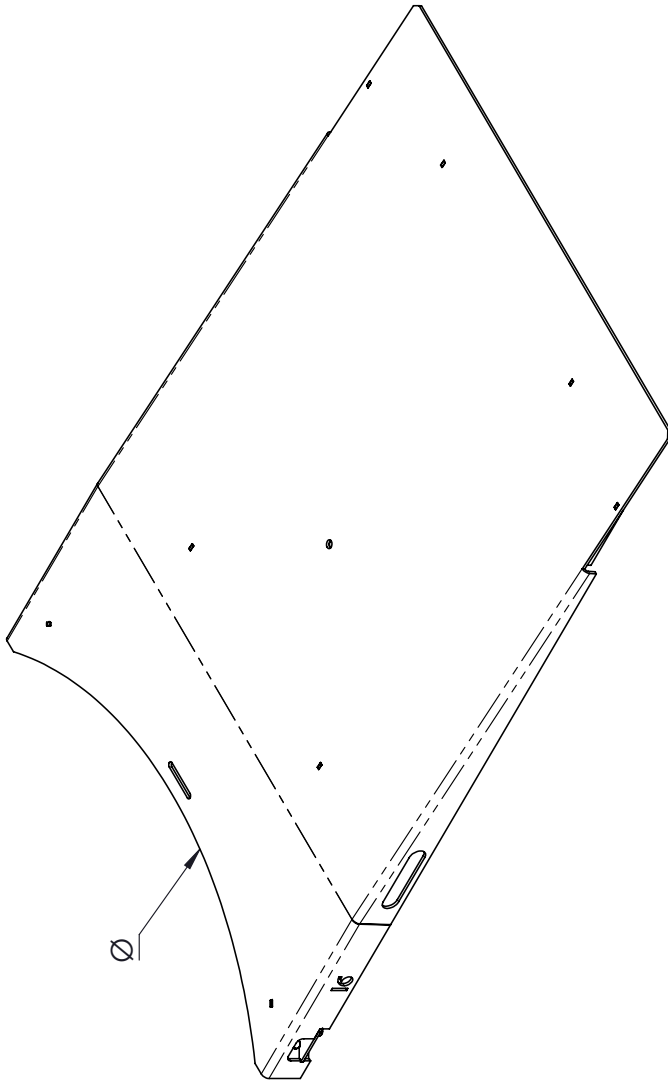


GUIDA PER CARELLO
CARRIAGE GUIDE

3	2	10000034378
2	2	10000034377
1	1	10000034376
Pos.	Qtd	Cod.

10010034375

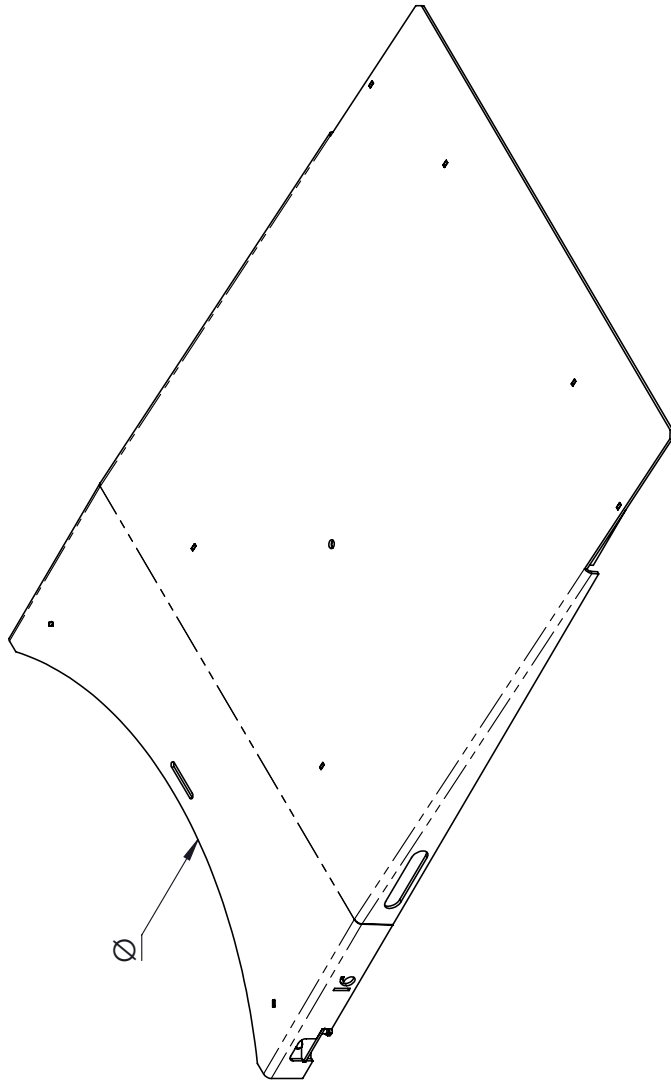




**RAMPE STANDARD
STANDARD RAMPS**

Ø1500	10010002084
Ø1650	10010002083
Ø1800	10010002085
Ø2200	10010016457
Ø2400	10010029315

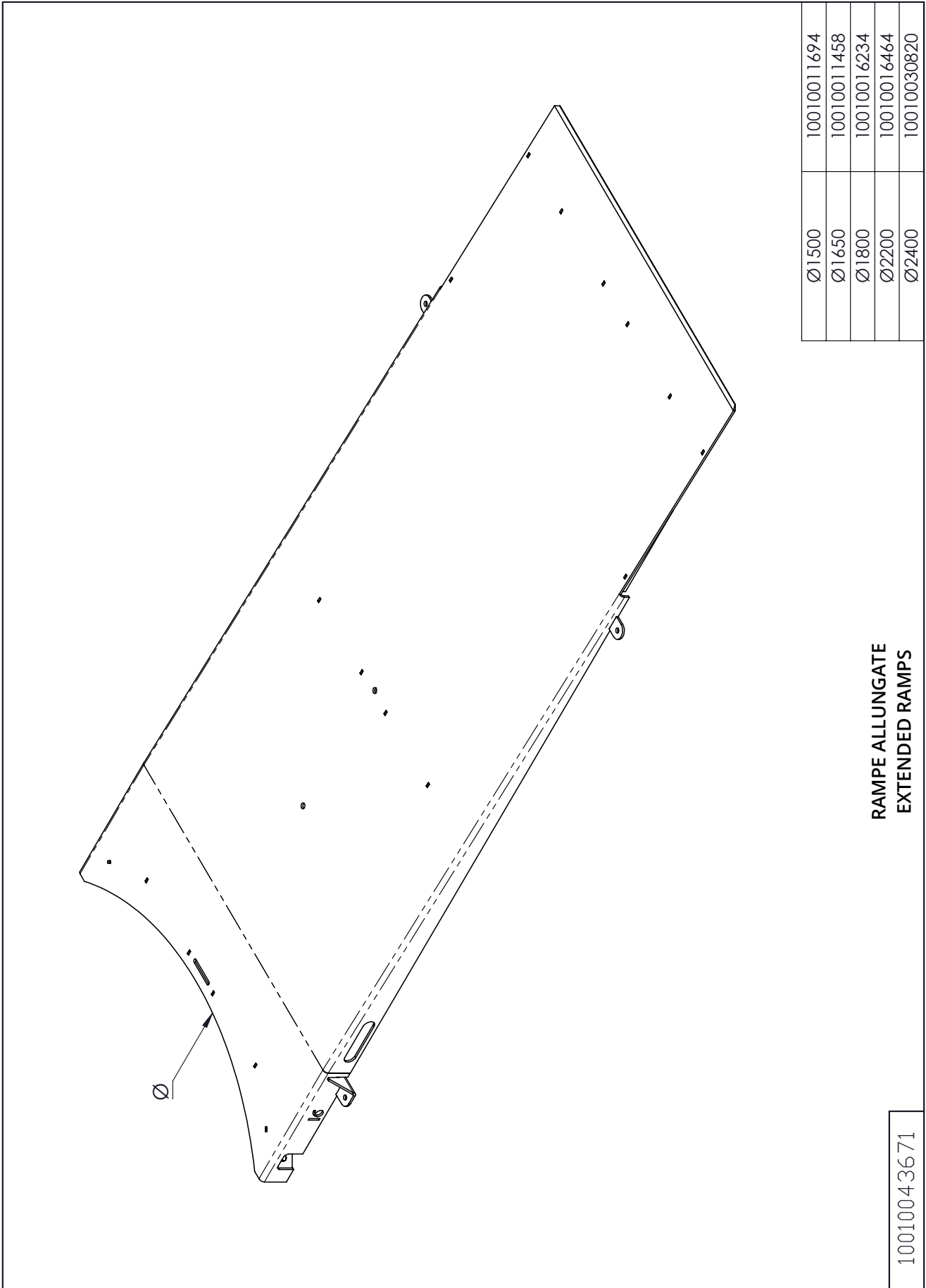
10010043671



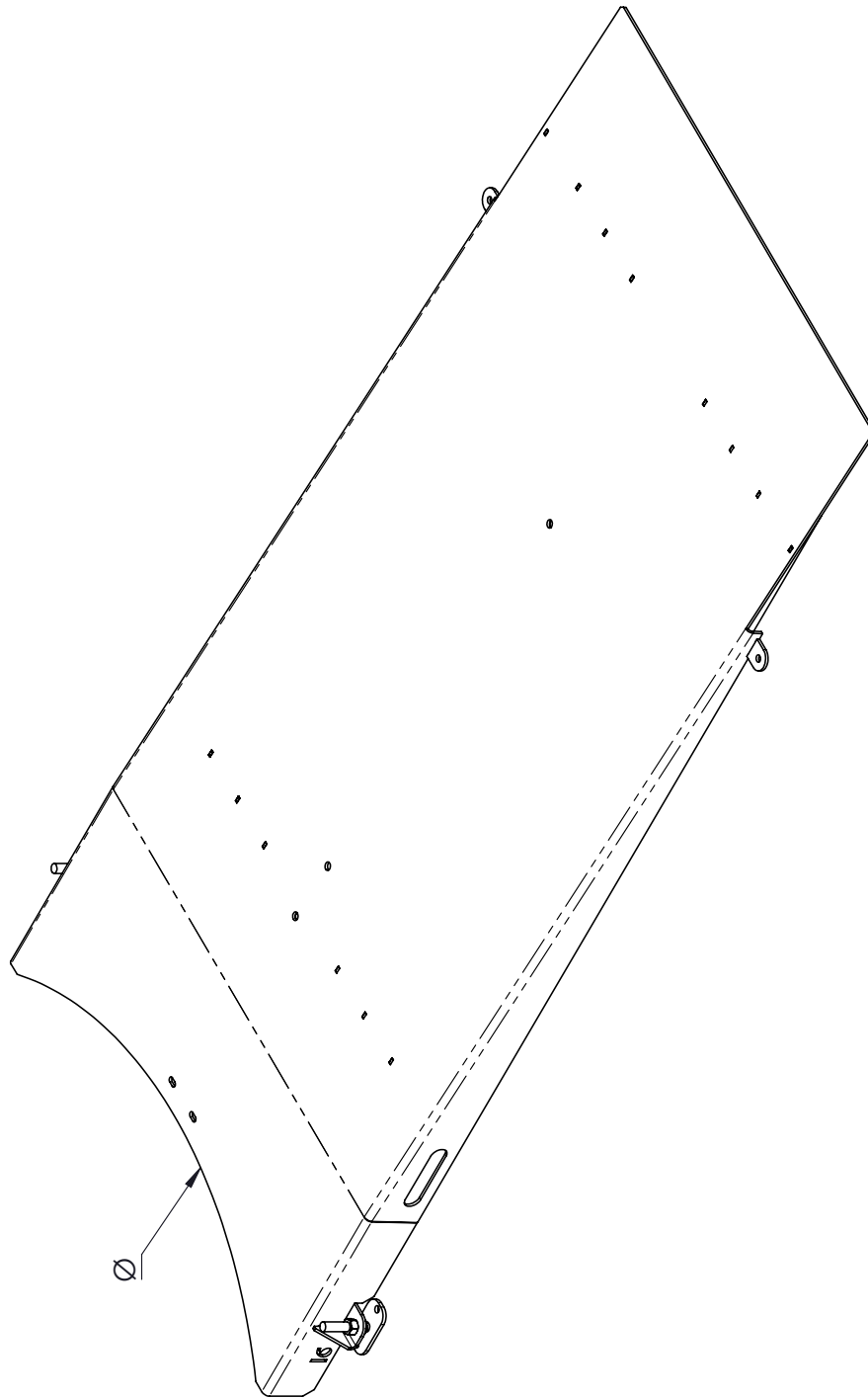
Ø1500	10010019798
Ø1650	10010024309
Ø1800	10010014847
Ø2200	10010017771
Ø2400	10010040287

**RAMPE RINFORZATE
REINFORCED RAMPS**

10010043671



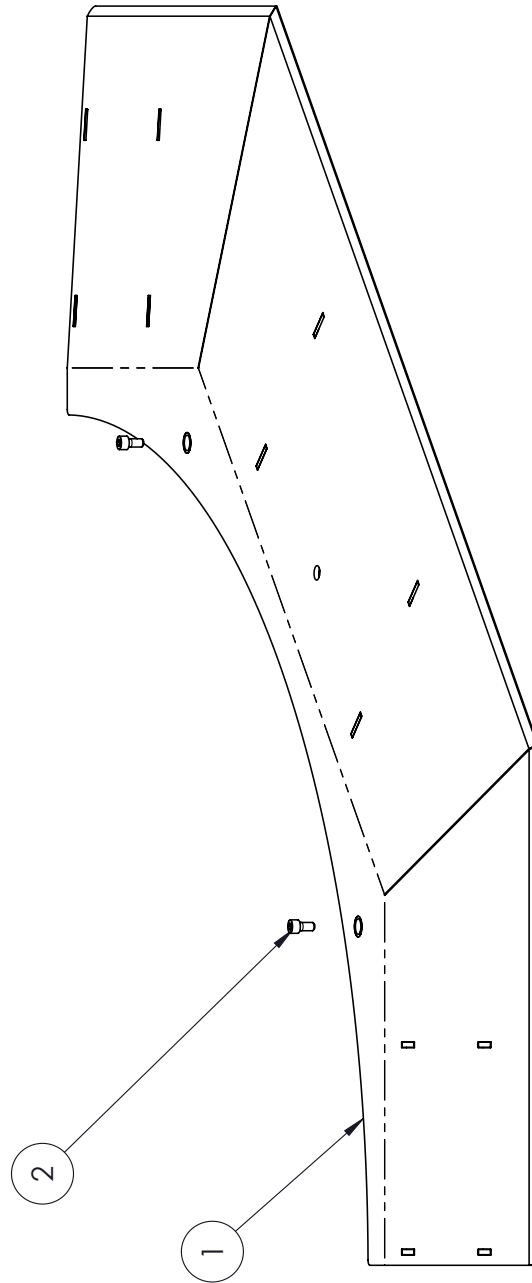
**RAMPE ALLUNGATE
EXTENDED RAMPS**



Ø1650	10010009679
Ø1800	10010024369
Ø2200	10010028026
Ø2400	10010039343

**RAMPE PER PESATURA
WEIGHING RAMPS**

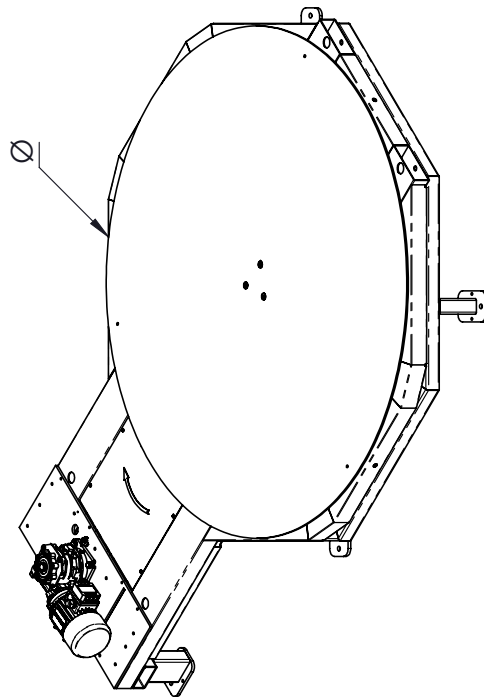
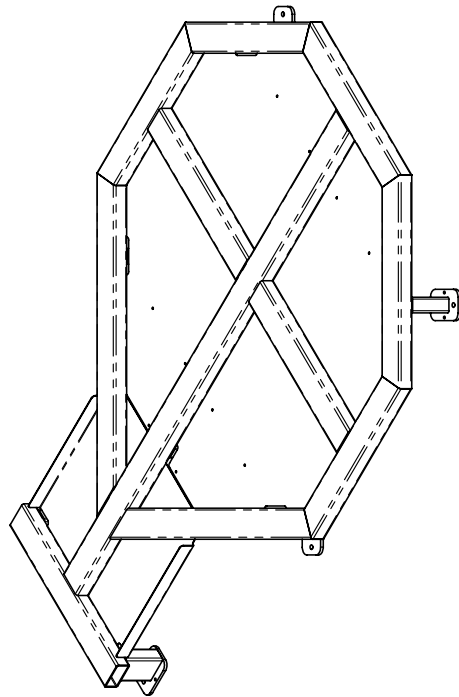
10010043671



RAMPE BASSO PROFILO
LOW PROFILE RAMP

10010032417

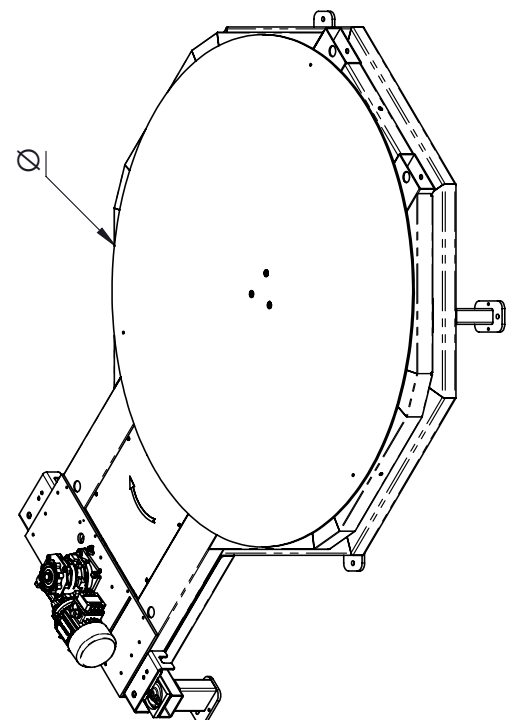
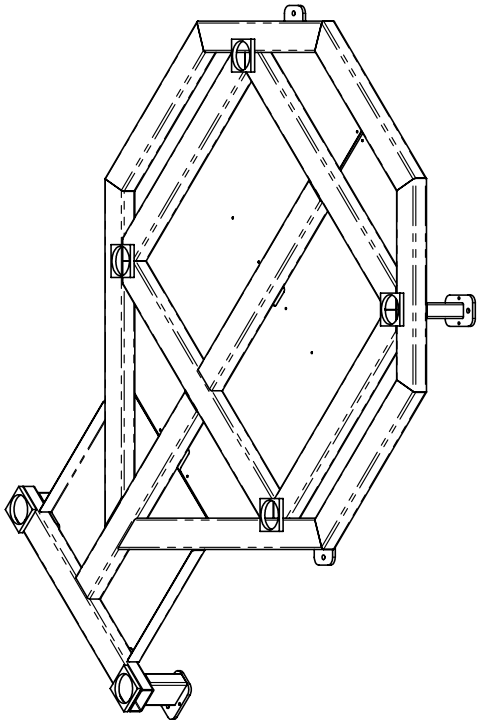
2	2	20500000518
1	1	10000031261
Pos.	Qtà	Cod.



Ø1500	10010031061
Ø1650	10010032108
Ø1800	10010035502
Ø2200	10010035554

TELAIO DI SOLLEVAMENTO
LIFTING FRAMES

10010043673

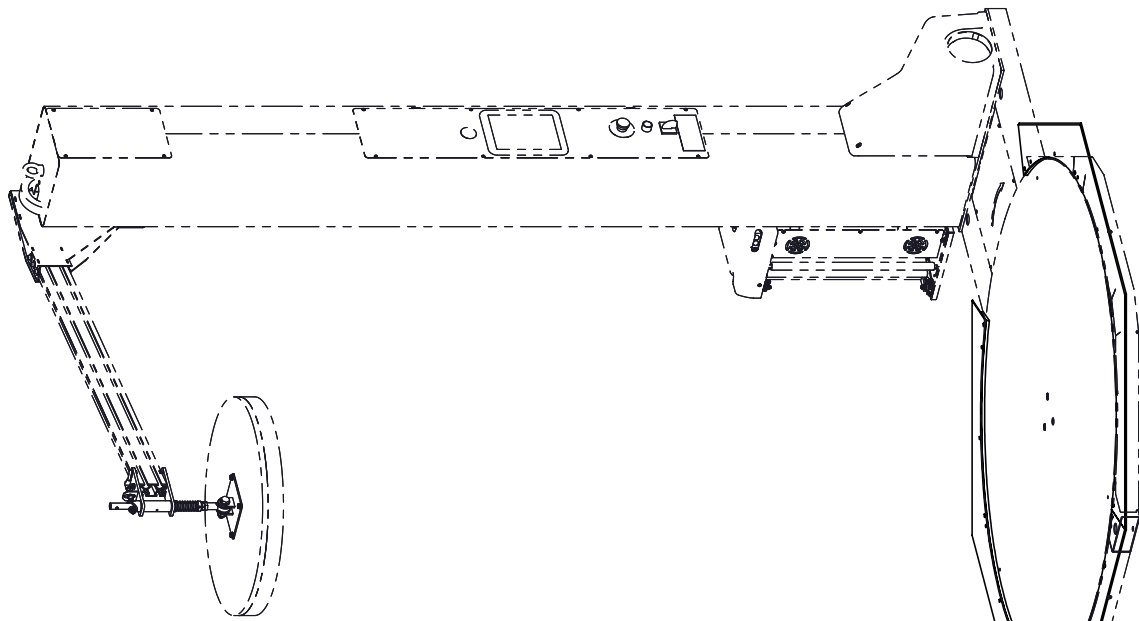


TELAIO SOLLEVAMENTO PER PESATURA
WEIGHING LIFTING FRAMES

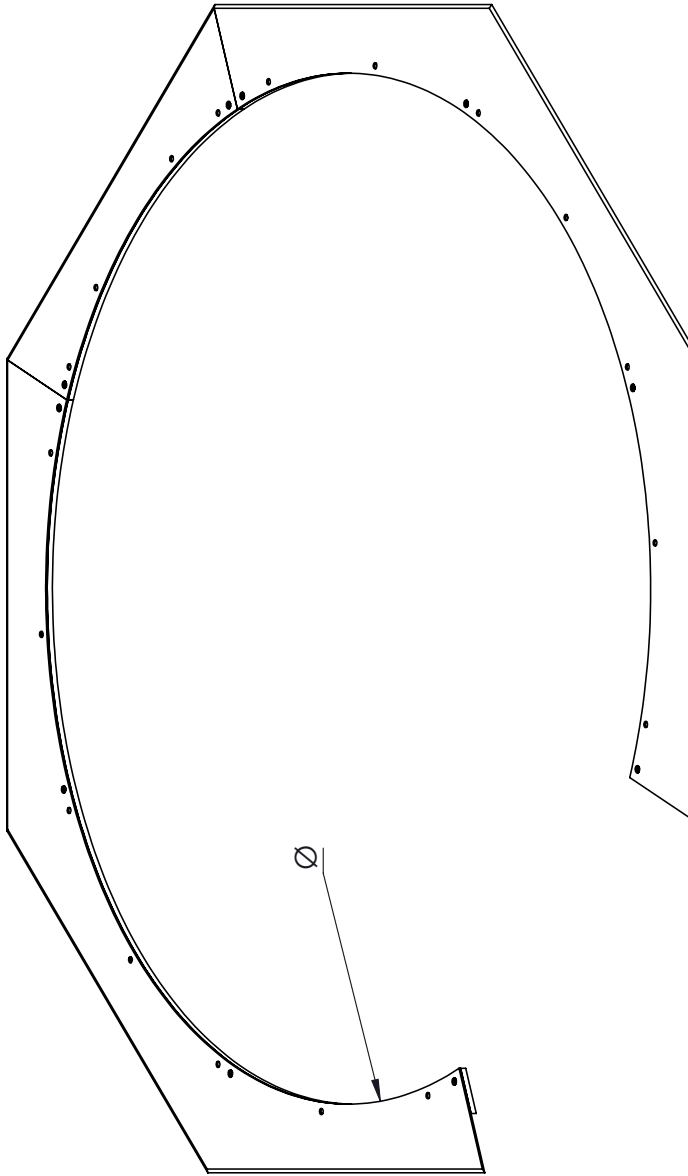
10010032461

Ø1650

10010043673



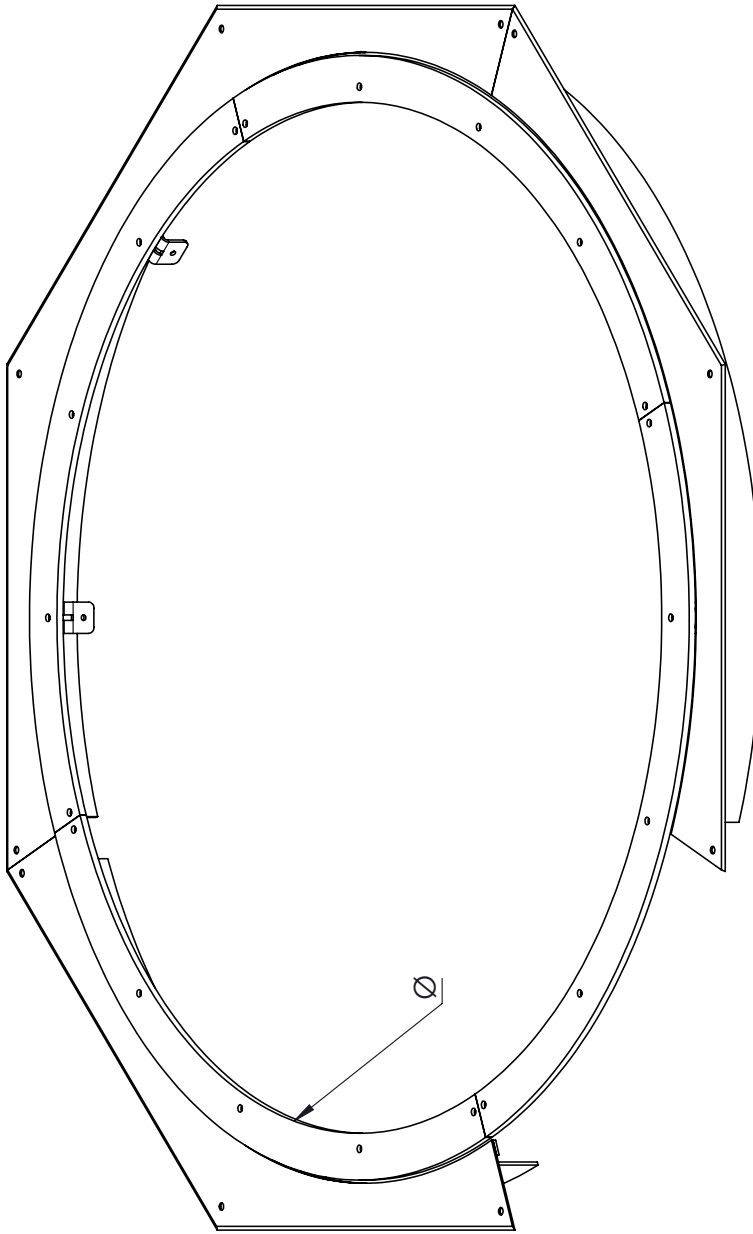
TELAIO DI INTERRAMENTO
GROUNDING FRAME



Ø1500	10010023336
Ø1650	10010023787
Ø1800	10010024129
Ø2200	10010024849
Ø2400	10010035570

**TELAIO DI INTERRAMENTO
GROUNDIG FRAMES**

10010043679



TELAIDI INTERRAMENTO CON PESATURA
WEIGHING GROUNDING FRAMES

Ø1650	10010027560
Ø1800	10010027898

10010043679



Fromm Holding AG

Hinterbergstrasse 26
6312 Steinhausen
Switzerland