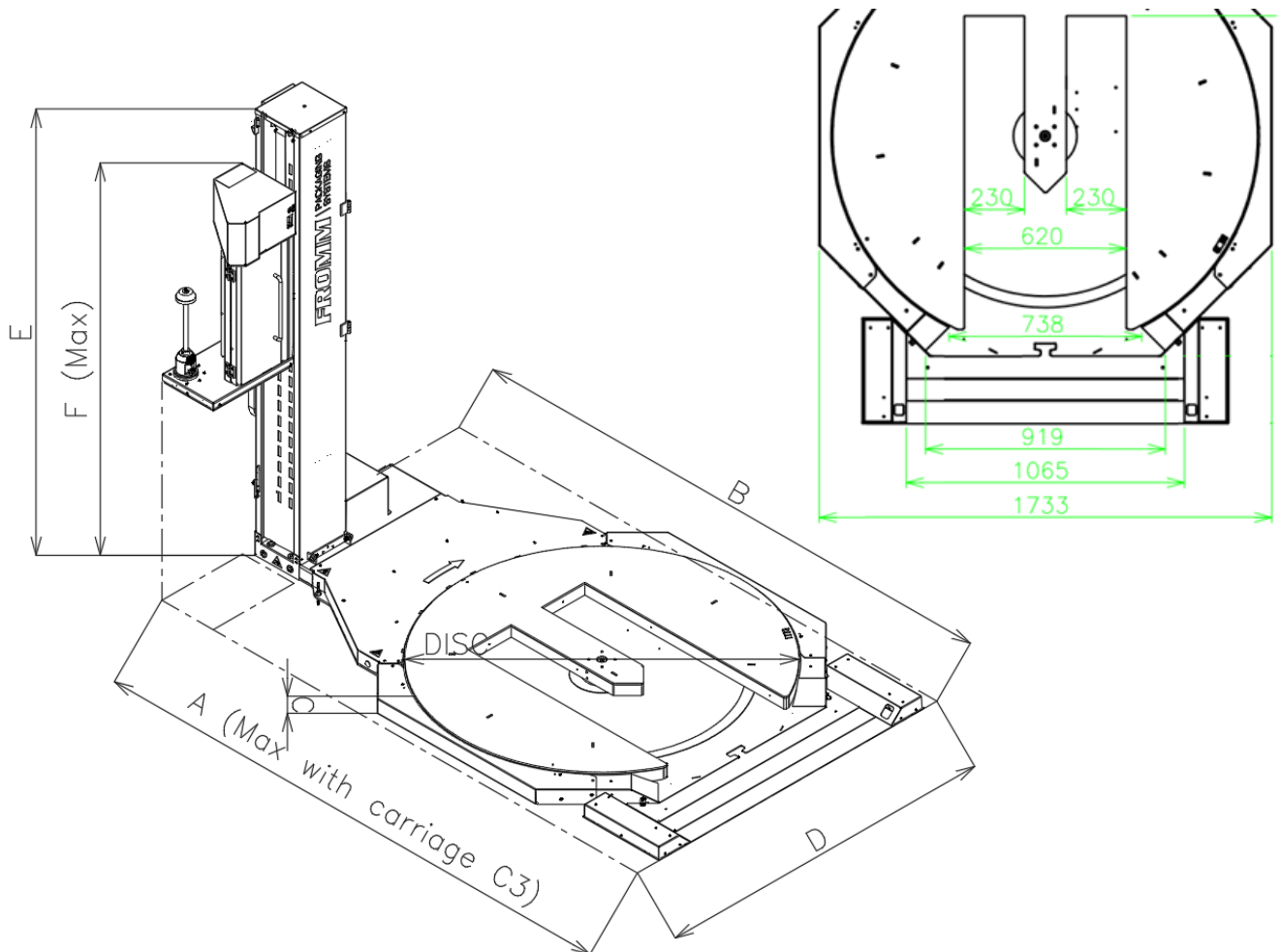


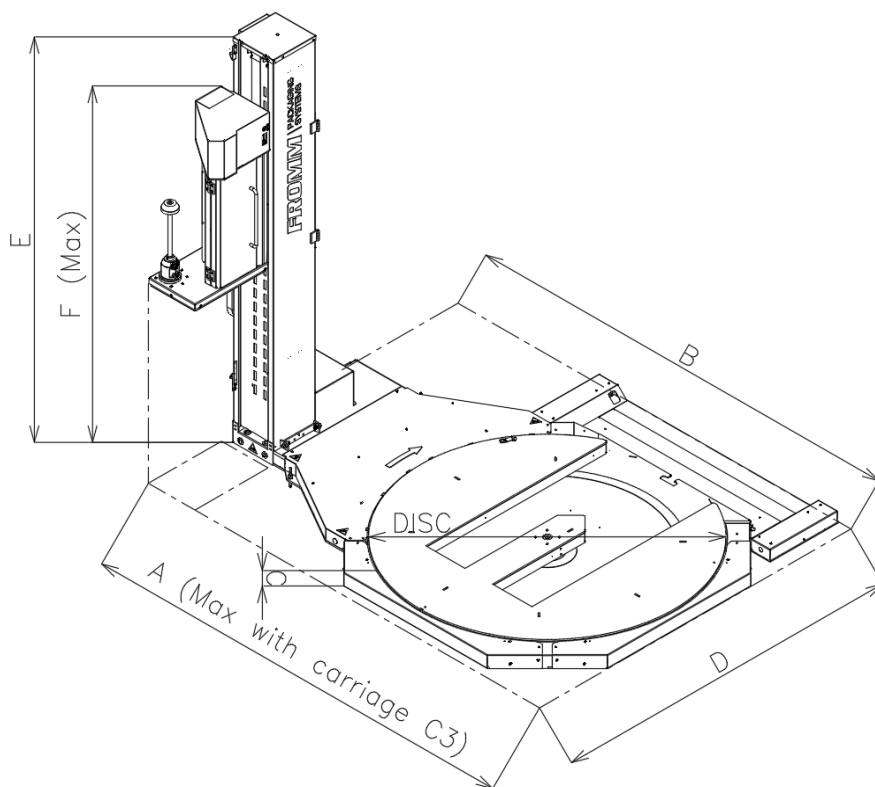
Layout Horseshoe FS360

H Max Film	2100	2500	3000
E	2060	2460	2950
F (carriage C1)	2270	2670	3160
F (carriage C2)	2350	2750	3240
F (carriage C3)	2460	2860	3350
F (carriage C4)	2330	2730	3220

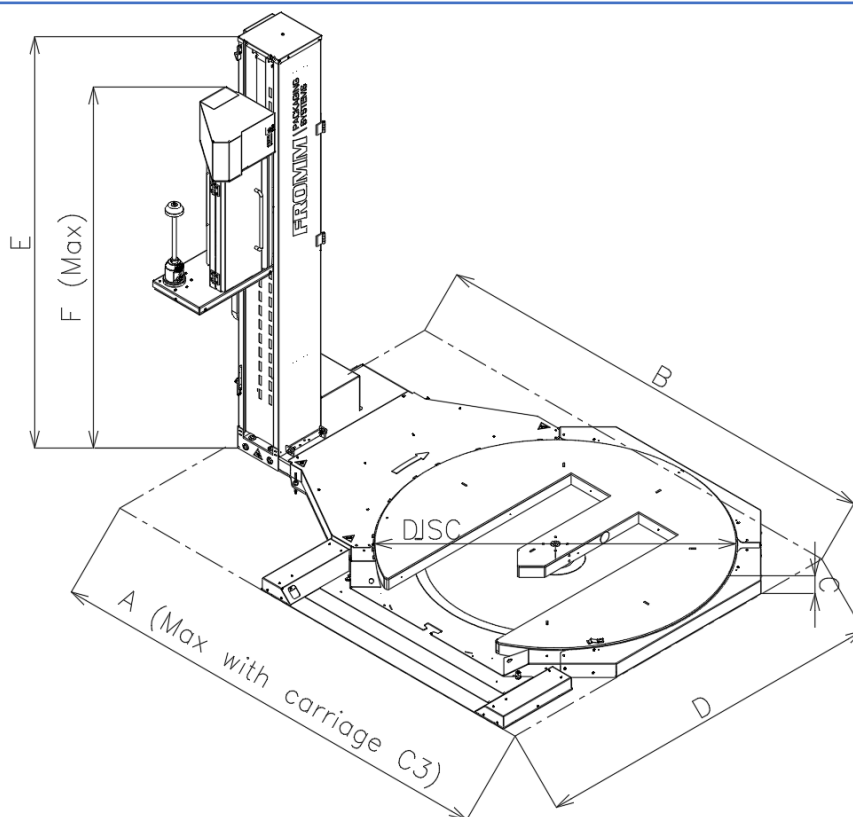
DISK	Ø1500			Ø1650		
	FRONT	RIGHT	LEFT	FRONT	RIGHT	LEFT
A	2520	2285	2285	2760	2525	2525
B	2530	2295	2295	2770	2535	2535
C	77			77		
D	1585	1820	1775	1740	1970	1970



FRONT SIDE OPENING



RIGHT SIDE OPENING



LEFT SIDE OPENING