

FROMM

Numbers & Drawings Art. code : FS3.2795

**Stretch Wrapping machine's
FS390 Carriage 2 Motors**

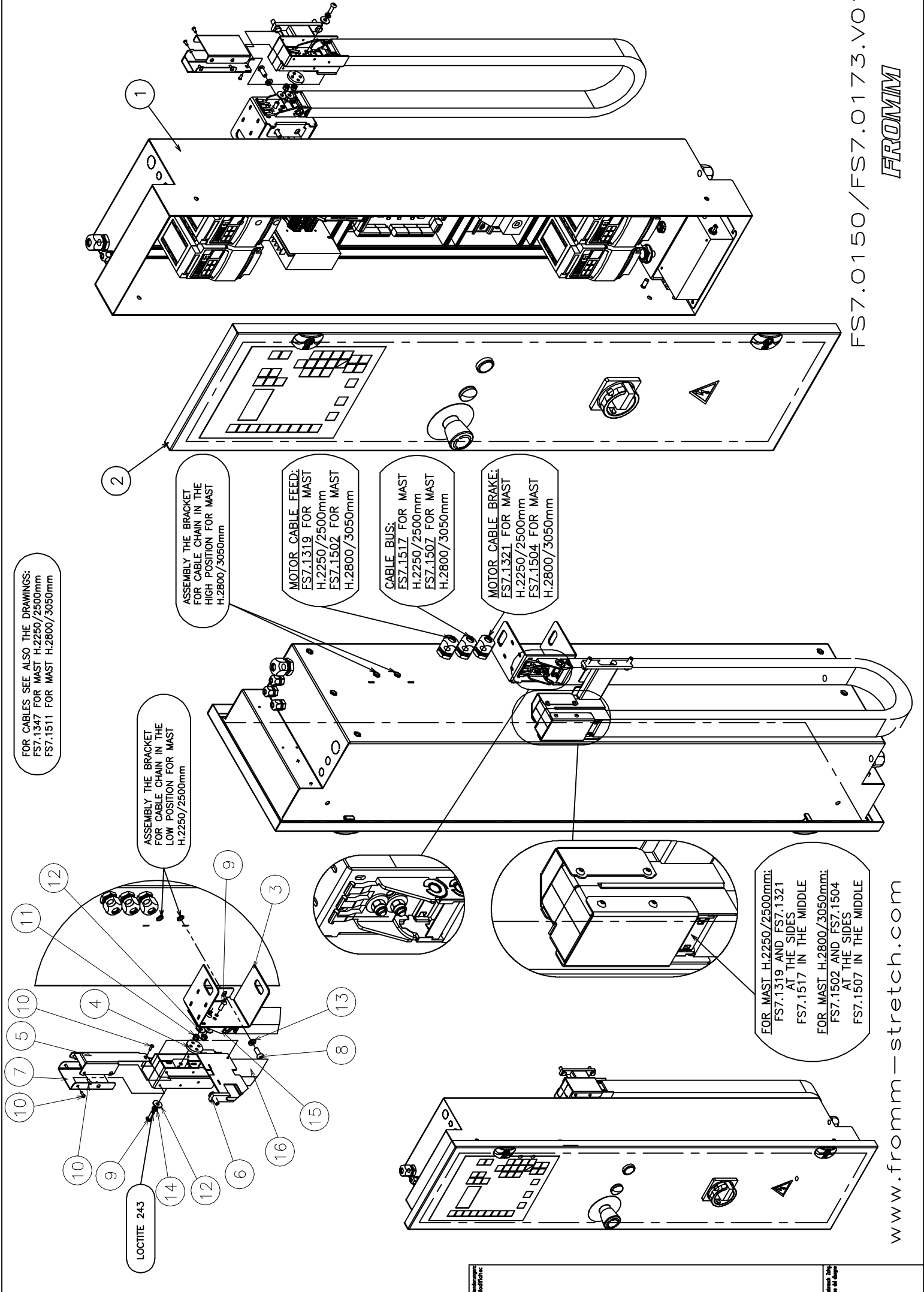
**Version 01 Machines
Version 07 List**

Website : www.fromm-stretch.com

Maintenance / Control advices:

- A = Clean**
- B = Check fixation / Tighten**
- C = Check wearing / Condition / Inspection**
- D = Grease / Lubrification**
- E = Control functionality / Parameters / Settings**

SPARE-PARTS_FS390.V01.EN07/© 10/22



FOR CABLES SEE ALSO THE DRAWINGS:
 FS7.1347 FOR MAST H.2250/2500mm
 FS7.1511 FOR MAST H.2800/3050mm

ASSEMBLY THE BRACKET
 FOR CABLE CHAIN IN THE
 LOW POSITION FOR MAST
 H.2250/2500mm

ASSEMBLY THE BRACKET
 FOR CABLE CHAIN IN THE
 HIGH POSITION FOR MAST
 H.2800/3050mm

MOTOR CABLE FEED:
 FS7.1319 FOR MAST
 H.2250/2500mm
 FS7.1502 FOR MAST
 H.2800/3050mm

CABLE BUS:
 FS7.1517 FOR MAST
 H.2250/2500mm
 FS7.1507 FOR MAST
 H.2800/3050mm

MOTOR CABLE BRAKE:
 FS7.1321 FOR MAST
 H.2250/2500mm
 FS7.1504 FOR MAST
 H.2800/3050mm

FOR MAST H.2250/2500mm:
 FS7.1319 AND FS7.1321
 AT THE SIDES
 FS7.1517 IN THE MIDDLE
 FOR MAST H.2800/3050mm:
 FS7.1502 AND FS7.1504
 AT THE SIDES
 FS7.1507 IN THE MIDDLE

LOCTITE 243

FS7.0150/FS7.0173.VO1

FS7.0150I_FS7.0173I Group complete electrical box H.2250mm/H.2500mm/H.2800mm/H.3050mm

Part no.	RIF	Description	Specification English	Q.ty	Maintenance
FS7.0126I	1	Group	GR. ELECTRI. BOX (NEXT PAGES) MAST H.2250/2500mm	1	E
FS7.0172I	1	Group	GR. ELECTRI. BOX (NEXT PAGES) MAST H.2800/3050mm	1	E
FS7.0149I	2	Group	GROUP COMPLETE DOOR (NEXT PAGES)	1	E
FS7.1207Z	3	Bracket	BRACKET FOR CABLE CHAIN ZINCED	1	
FS7.1396Z	4	Bracket	FIX CABLE CHAIN ZINCED	1	
FS7.1397Z	5	Bracket	COVER CABLE CHAIN ZINCED	1	
FS7.1601Z	6	Bracket	BRACKET FOR CABLE CHAIN	1	
FS7.1607Z	7	Bracket	COVER CABLE CHAIN ZINCED	1	
N1.1220	8	Screw	BUTTON HEAD SCREW ISO 7380 - M6 x 16	2	
N1.1225	9	Screw	BUTTON HEAD SCREW ISO 7380 - M5 x 16 ZINCED	4	
N1.1227	10	Screw	BUTTON HEAD SCREW ISO 7380 - M3 x 8 ZINCED	9	
N1.5302	11	Nut	NUT DIN 985 M5 ZINCED	2	
N1.6125	12	Washer	PLAIN WASHER UNI 6593 D.5,3X15X1,2 GALVANIZED	4	
N1.6204	13	Washer	SPRING LOCK WASHER DIN 127 -B- M6	2	
N1.6217	14	Washer	SPRING LOCK WASHER DIN 127 -B- M5	2	
N5.3776	15	Support	SUPPORT FOR CABLE CHAIN	1	C
N5.3777	16	Cable chain	CABLE CHAIN 66 LINKS (MAST H.2250/2500mm)	1	C
N5.3778	16	Cable chain	CABLE CHAIN 80 LINKS (MAST H.2800/3050mm)	1	C

FS7.1334 FOR MAST H.2250/2500mm
 FS7.1508 FOR MAST H.2800/3050mm

FS7.1338 FOR MAST H.2250/2500mm
 FS7.1510 FOR MAST H.2800/3050mm

FS7.1319 FOR MAST H.2250/2500mm
 FS7.1502 FOR MAST H.2800/3050mm

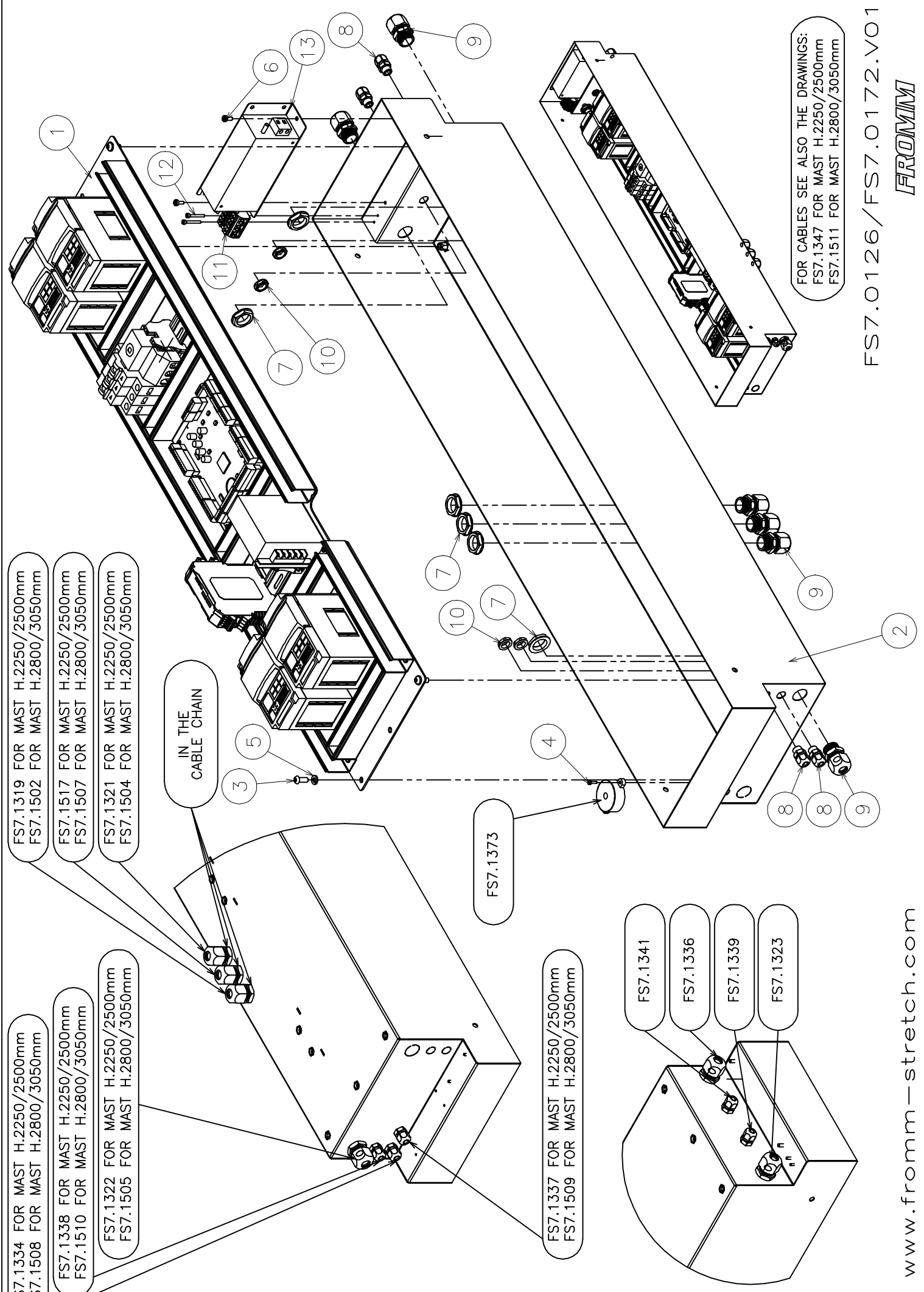
FS7.1517 FOR MAST H.2250/2500mm
 FS7.1507 FOR MAST H.2800/3050mm

FS7.1321 FOR MAST H.2250/2500mm
 FS7.1504 FOR MAST H.2800/3050mm

FS7.1337 FOR MAST H.2250/2500mm
 FS7.1509 FOR MAST H.2800/3050mm

FS7.1341
 FS7.1336
 FS7.1339
 FS7.1323

FOR CABLES SEE ALSO THE DRAWINGS:
 FS7.1347 FOR MAST H.2250/2500mm
 FS7.1511 FOR MAST H.2800/3050mm

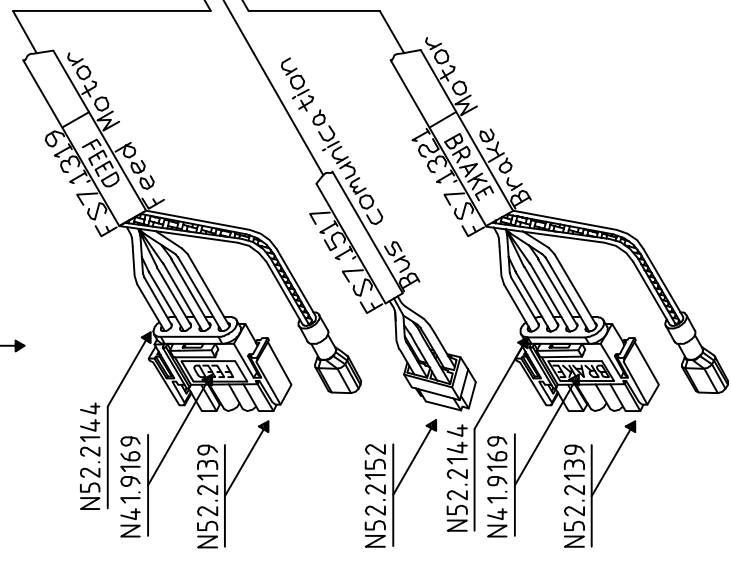
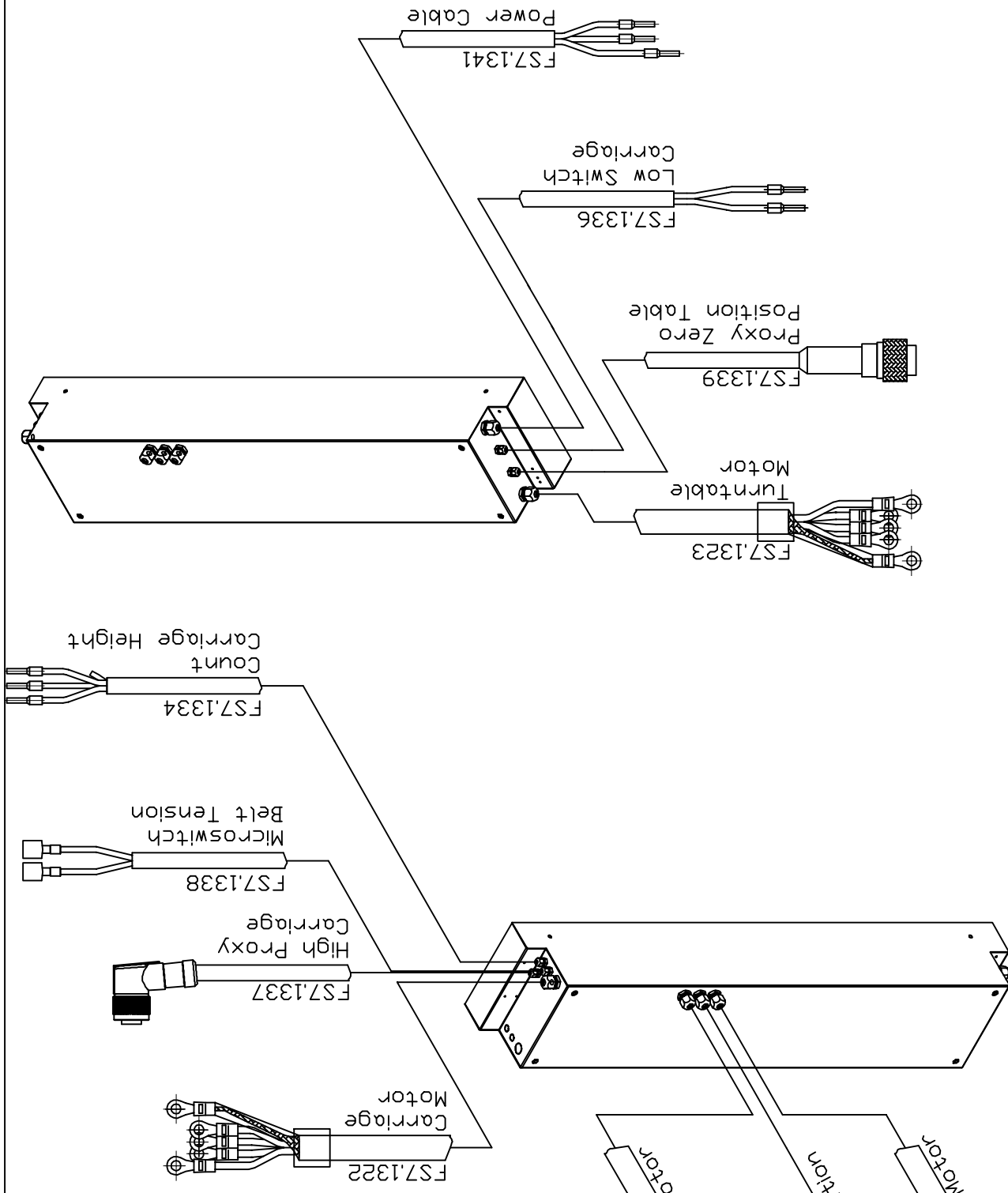


FS7.0126/FS7.0172.VO1

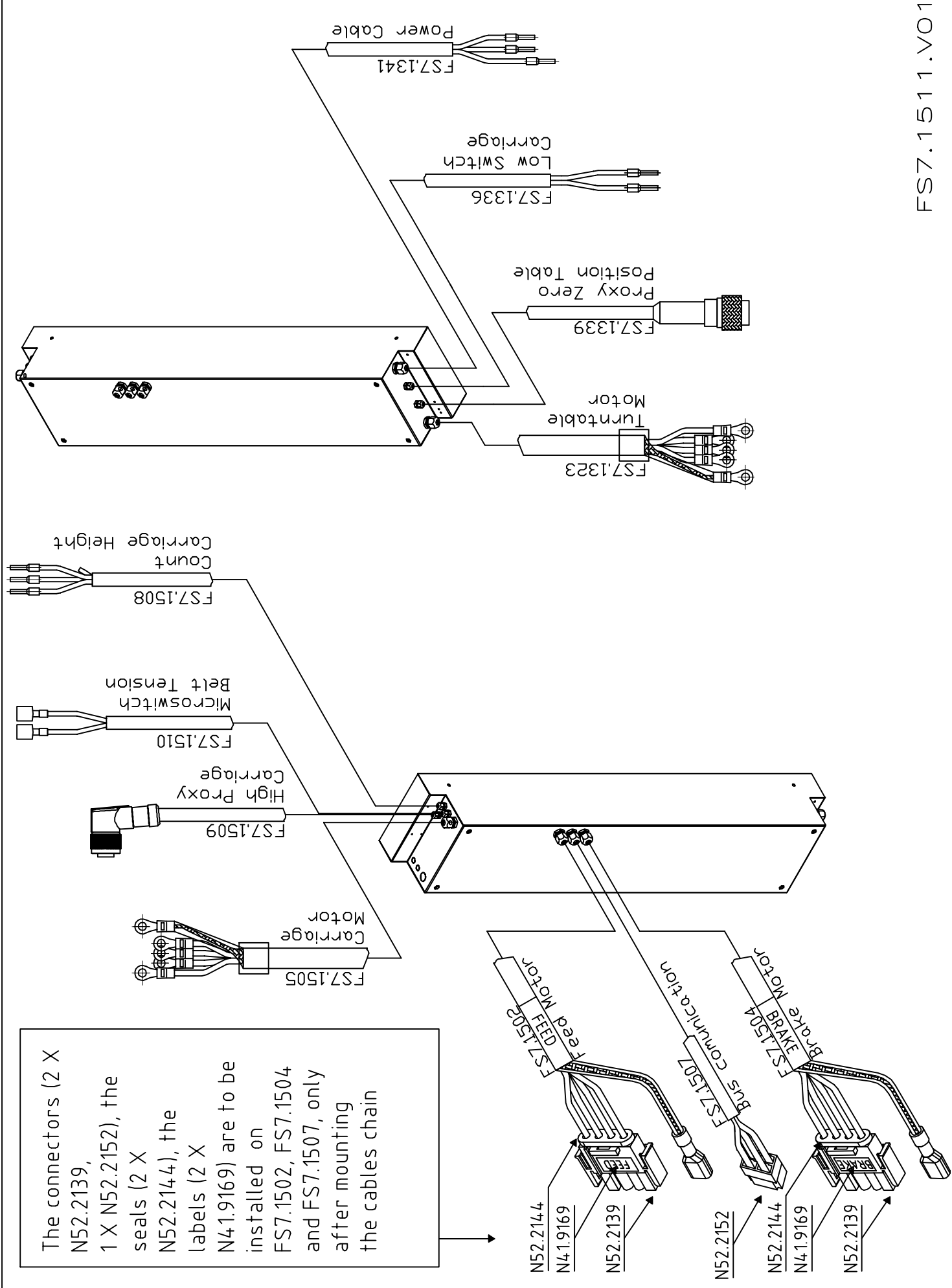
FS7.0126I_FS7.0172I Group electrical box H.2250mm/H.2500mm/H.2800mm/H.3050mm

Part no.	RIF	Description	Specification English	Q.ty	Maintenance
FS7.0148	1	Group	GROUP PLATE COMPLE. ELECTRICAL BOX (NEXT PAG.)	1	E
FS7.1312	2	Box	BOX LIGHT GREY RAL7035	1	
N1.1220	3	Screw	BUTTON HEAD SCREW ISO 7380 - M6 x 16 ZINCED	4	B
N1.1922	4	Screw	PHILIPS HEAD SCREW M3x10 ZINCED DIN 7985A	2	B
N1.6204	5	Washer	SPRING LOCK WASHER DIN 127 -B- M6	4	
N1.7333	6	Screw	HEAD PIN SCREW M4x10 ZINCED UNI 8112	2	
N5.3341	7	Cablegland	LOCK NUT M20 GREY COLOR RAL 7035	6	
N5.3351	8	Gland	GLAND M12	5	B-C
N5.3352	9	Gland	GLAND M20 D.6-12 GREY COLOR RAL 7035	6	B-C
N5.3353	10	Cablegland	LOCK NUT M12 GREY COLOR	5	
N5.6725	11	Clamp	CLAMP	1	B
N12.1117	12	Screw	CYLINDRICAL HEAD CAP SCREW M3x25 ISO 4762 GAL.	2	
N51.5476	13	Filter	FILTER	1	

The connectors (2 X N52.2139, 1 X N52.2152), the seals (2 X N52.2144), the labels (2 X N4.19169) are to be installed on FS7.1319, FS7.1321 and FS7.1517, only after mounting the cables chain

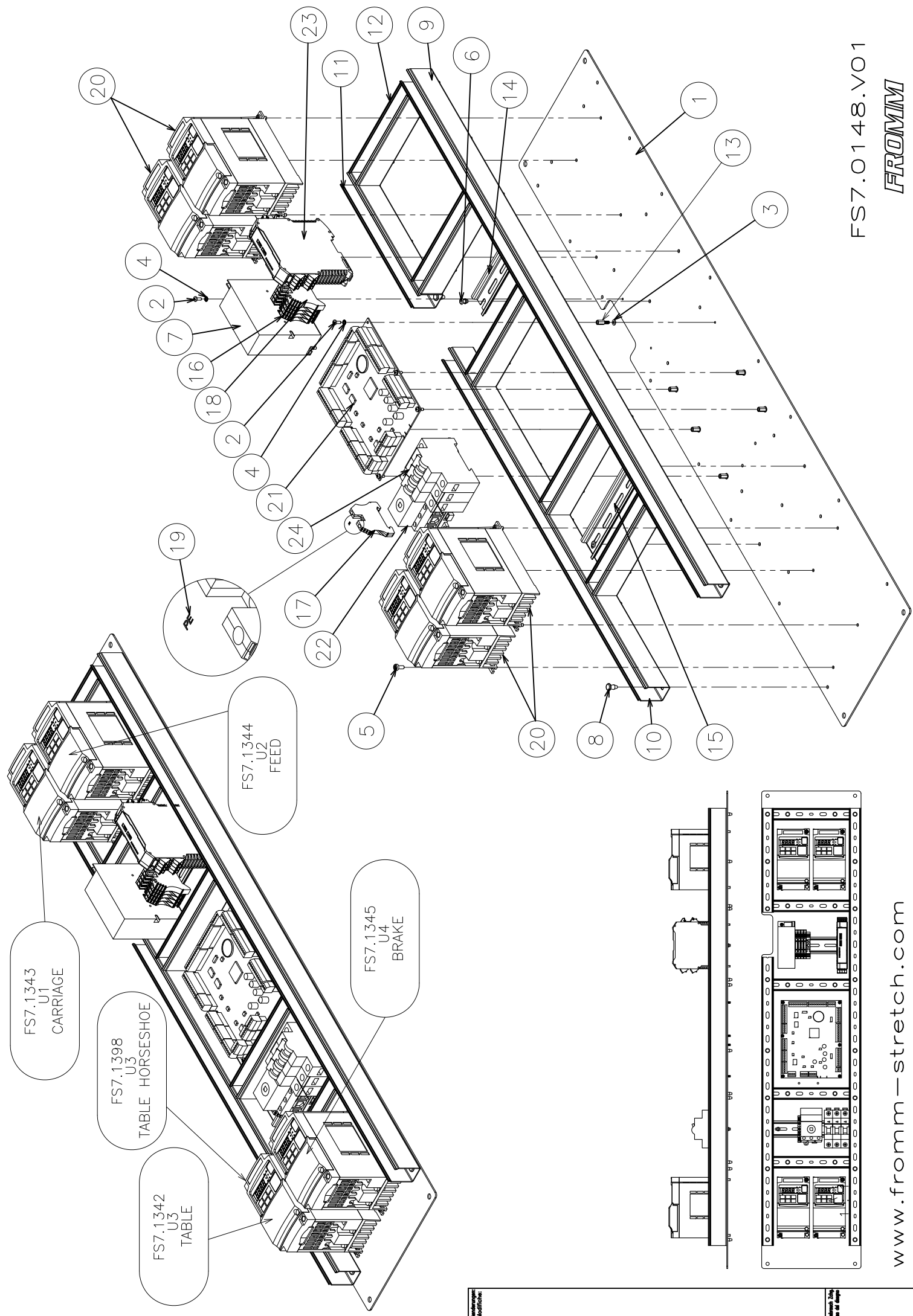


The connectors (2 X N52.2139, 1 X N52.2152), the seals (2 X N52.2144), the labels (2 X N4.19169) are to be installed on FS7.1502, FS7.1504 and FS7.1507, only after mounting the cables chain



FS7.1511.VO1

FROMM



FS7.O148.VO1

FROMMM

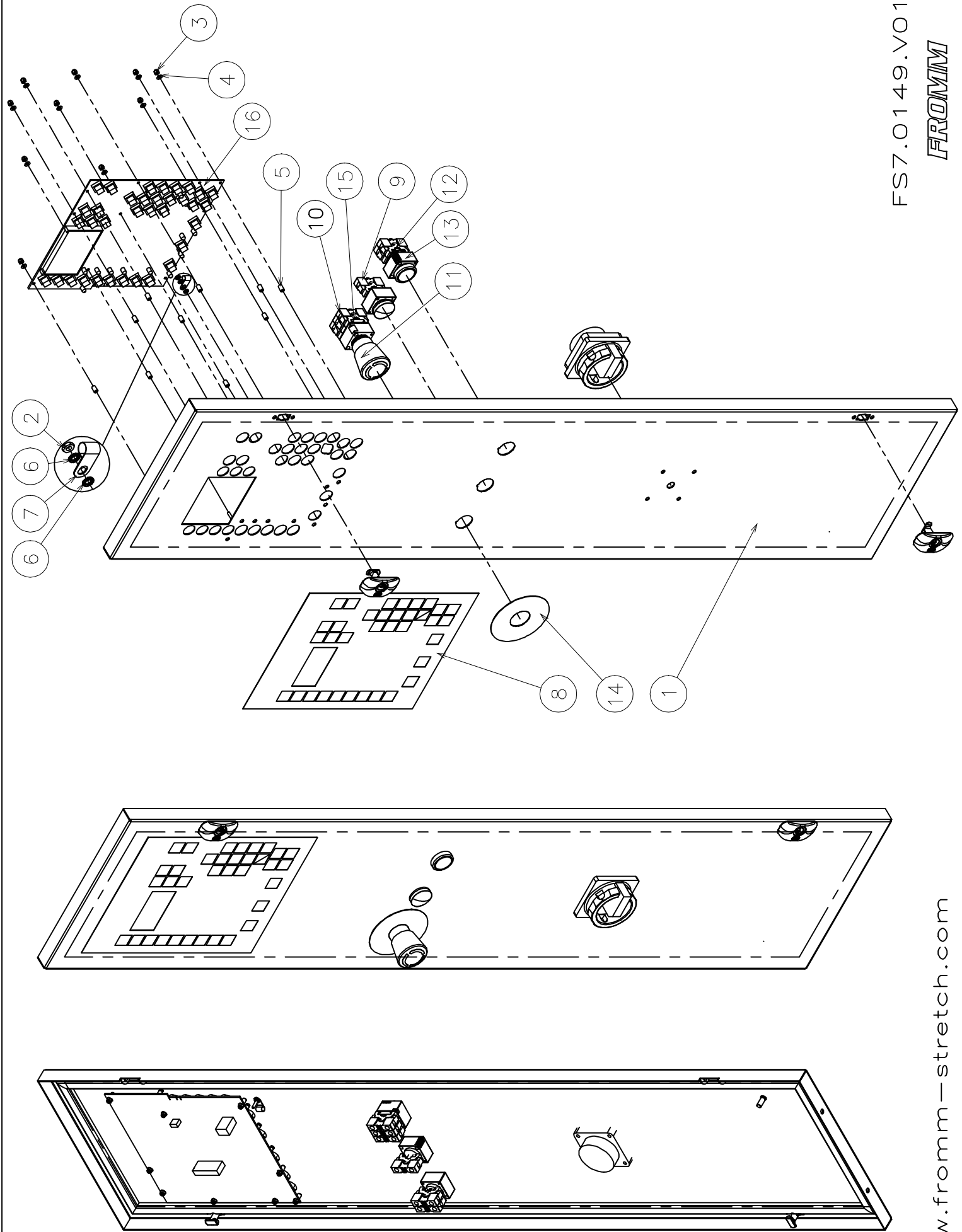
www.fromm-stretch.com

Manufactured in Germany

© 2014 Fromm

FS7.0148 Group plate complete electrical box

Part no.	RIF	Description	Specification English	Q.ty	Maintenance
FS7.1293Z	1	Plate	PLATE ZINCED	1	
N1.1932	2	Screw	PHILIPS HEAD SCREW DIN 7985A CL.4.8 M3 x 8 ZINCED	8	
N1.6183	3	Washer	PLAIN WASHER DIN 125A 3.2x9x0.5 ZINCED	6	
N1.6414	4	Washer	WASHER M3 DIN 6798 ZINCED	7	
N1.7333	5	Screw	HEAD PIN SCREW M4x10 ZINCED UNI 8112	8	
N2.4506	6	Rivet	RIVET HEXAGON HEAD 4X8 DIN 7337 A	4	
N5.1478	7	Transfor.	TRANSFORMATOR	1	
N5.3748	8	Rivet	RIVET Ø4 FOR ELECTRICAL DUCT	26	
N5.3751	9	Duct	ELECTRICAL DUCT L=925	1	
N5.3751	10	Duct	ELECTRICAL DUCT L=610	1	
N5.3751	11	Duct	ELECTRICAL DUCT L=220	1	
N5.3751	12	Duct	ELECTRICAL DUCT L=160	5	
N5.3831	13	Distan. Piece	DISTANCE PIECE M3x10	6	
N5.6113	14	Bar	BAR	1	
N5.6113	15	Bar	BAR	1	
N5.6114	16	Clamp	CLAMP	4	
N5.6115	17	Clamp	GROUND CLAMP	1	
N5.6118	18	Terminal	TERMINAL WEW35/2 WEIDMULLER	1	
N5.6417	19	Label	PE LABEL	1	
FS7.1342	20	Inverter	INVERTER U3 TABLE (WITH PROGRAM)	1	E
FS7.1398	20	Inverter	INVERTER U3 TABLE HORSE SHOE (WITH PROGRAM)	1	E
FS7.1343	20	Inverter	INVERTER U1 CARRIAGE (WITH PROGRAM)	1	E
FS7.1344	20	Inverter	INVERTER U2 FEED (WITH PROGRAM)	1	E
FS7.1345	20	Inverter	INVERTER U4 BRAKE (WITH PROGRAM)	1	E
N51.7199	21	Mainboard	MAINBOARD FS390	1	E
N52.2249	22	Block	INTERLOCKED MAIN SWITCH	1	E
N52.5296	23	Module	SECURITY MODULE	1	E
N52.5297	24	Switch	THERMAL OVERCURRENT CIRCUIT BREAKERS	3	E



FS7.01 49.V01

FROMM

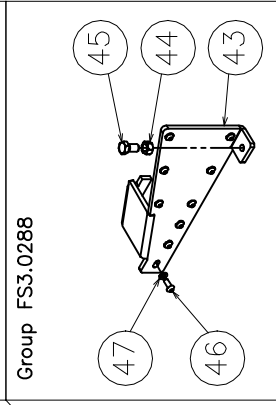
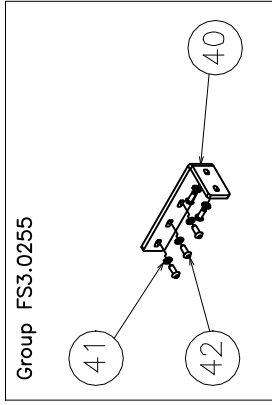
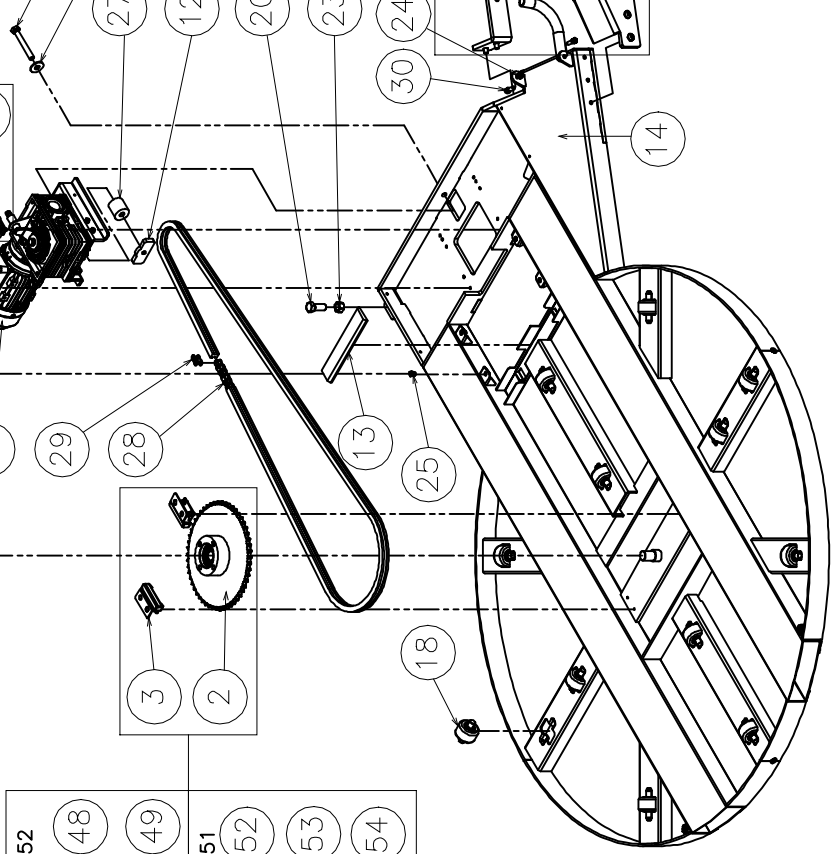
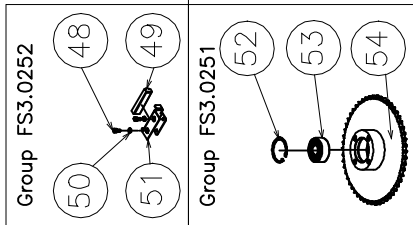
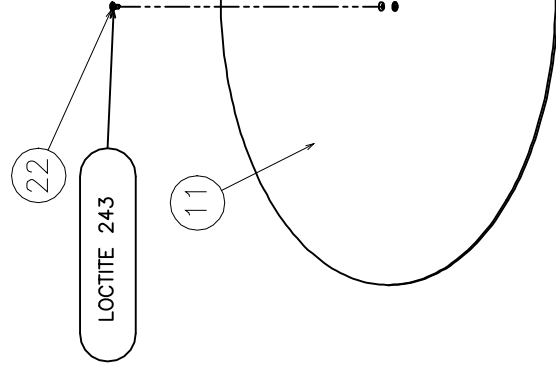
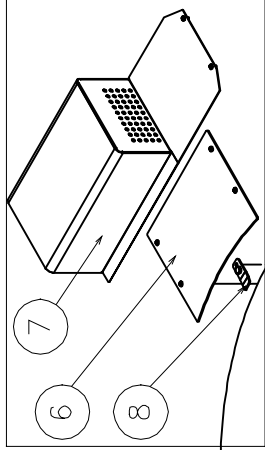
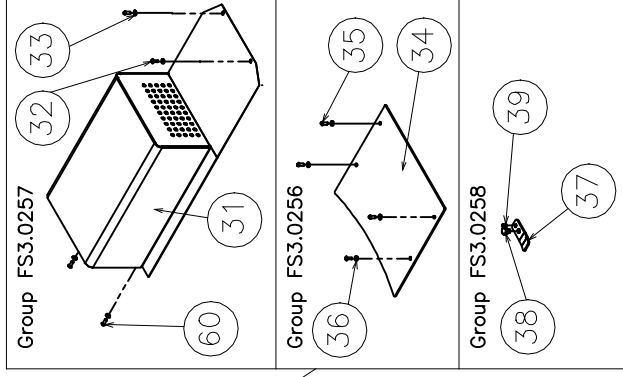
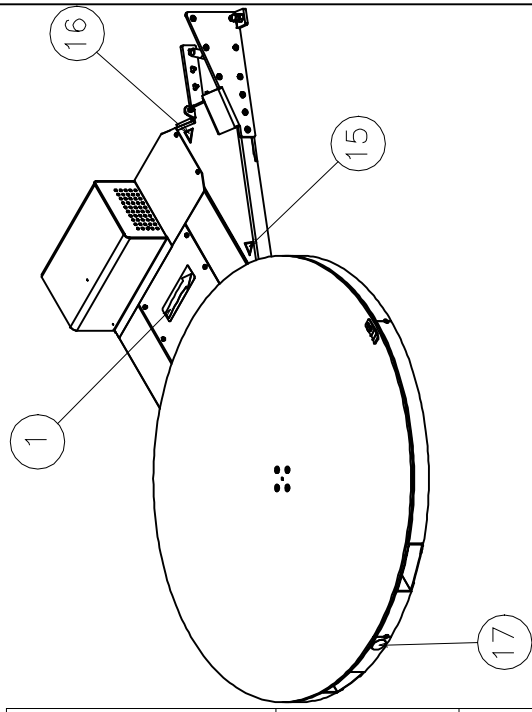
www.fromm-stretch.com

© 2014 FROMM

© 2014 FROMM

FS7.0149I Group complete door

Part no.	RIF	Description	Specification English	Q.ty	Maintenance
FS7.1310I	1	Door	DOOR LIGHT GREY RAL7035	1	A
N1.5120	2	Nut	NUT M3 DIN934 GALVANIZED	1	
N1.5313	3	Nut	STAINLESS NYLON INSERT LOCK NUT M3 DIN 985	10	
N1.6190	4	Washer	WASHER M3 NYLON DIN125 Di=3,2 De=7 sp=0,5	10	
N1.6388	5	Distan. Piece	DISTANCE PIECE Ø3.2xØ5 L=8	10	
N1.6414	6	Washer	PLAIN WASHER M3 DIN 6798 A ZINCED	2	
N5.3662	7	Elastic Strip	ELASTIC STRIP FOR CABLES	1	
N44.9171	8	Label	LABEL PANEL FS390	1	A-C-E
N52.2250	9	Indicato light	INDICATOR LIGHT WITH SMOOTH LENS WHITE	1	C-E
N52.2251	10	Contact	AUXILIARY CONTACT	3	C-E
N52.2252	11	Emer.-stop	EMERGENCY-STOP MUSHROOM	1	C-E
N52.2268	12	Contact	AUXILIARY CONTACT	2	C-E
N52.2285	13	Button	HEAD BLU BUTTON RE-ARM	1	C-E
N52.2286	14	Label	LABEL YELLOW DISK EMERGENCY BUTTON	1	C
N52.2287	15	Support	SUPPORT (3 WAYS)	1	C-E
N52.7101	16	Pc-Board	PC-BOARD FS390	1	E



Group FS3.0255

Group FS3.0288

FS3.0291 FS3.0292
FS3.0293 FS3.0294.V01

FROMM

www.fromm-stretch.com

www.fromm-stretch.com

www.fromm-stretch.com

FS3.0291GB/FS3.0292GB/FS3.0293GB/FS3.0294GB Base unit Ø1500/Ø1650/Ø1800/Ø2200mm

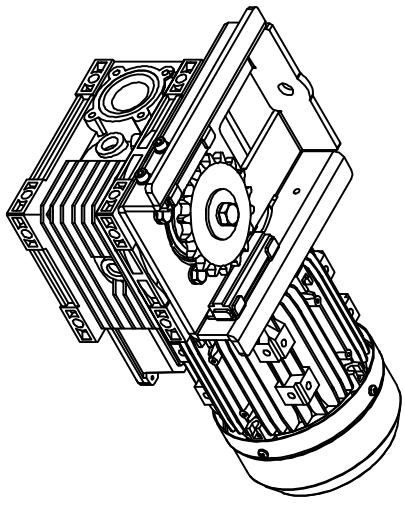
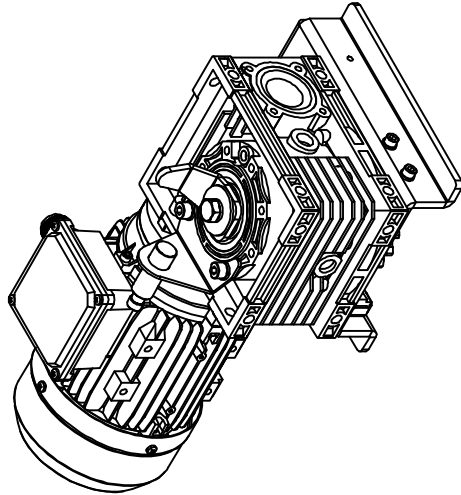
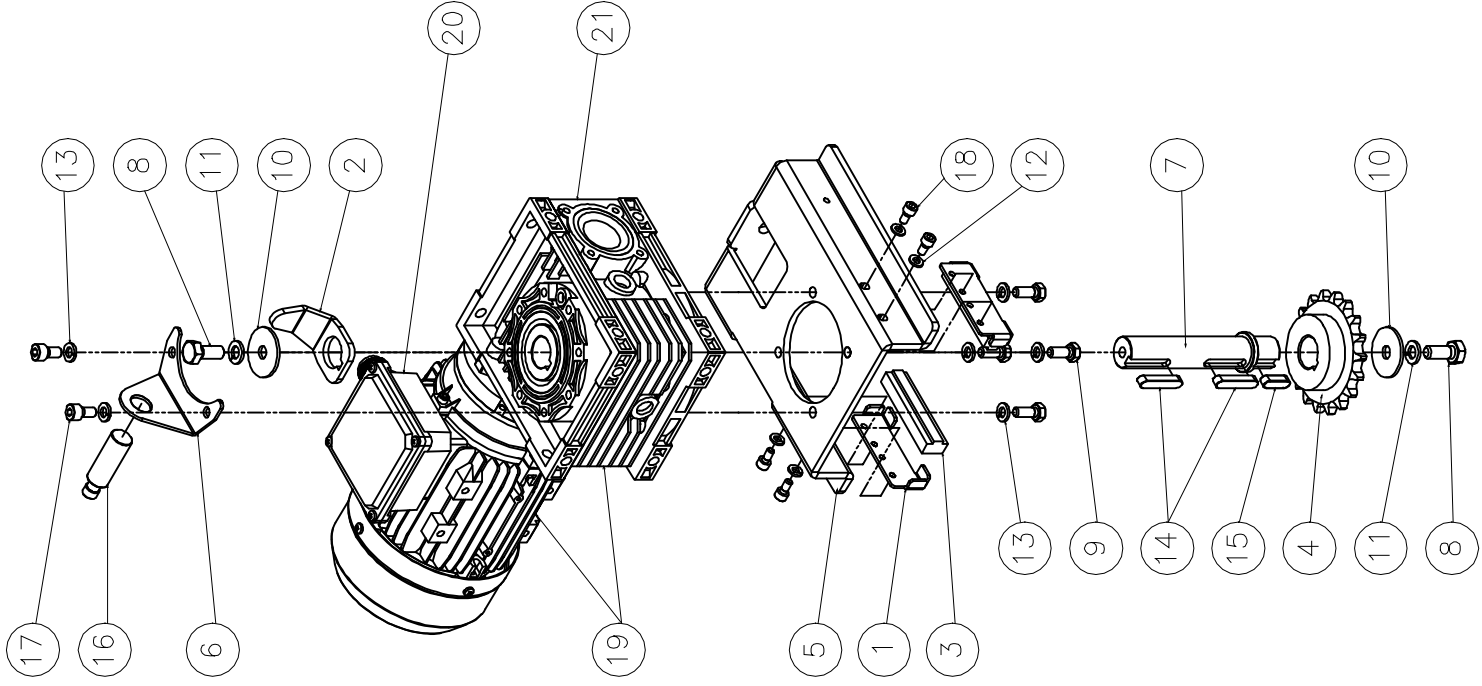
Part no.	RIF	Description	Specification English	Q.ty	Maintenance
FS1.1379	1	Label	LABEL WITH DRAWING OF ARROW	1	C
FS3.0251	2	Group	GROUP GEAR	1	A-B
N2.1223	52	Seeger	SEEGER D.62 TYPE "J" UNI 3654/7437	1	
N31.1143	53	Ball bearing	BALL BEARING 62305 2RS1 25x62x24	1	C
FS3.2099	54	Gear	GEAR 5/8"x3/8" Z=54	1	
FS3.0252	3	Group	GROUP POLIZENE	2	A-B
N11.1135	48	Screw	CYLINDRICAL HEAD CAP SCREW M6x12 ZN UNI 5931	2	B
FS3.2097	49	Polizene	POLIZENE FOR MOTOR PINION/CENTRAL GEAR	1	C-D
N1.6204	50	Washer	SPRING LOCK WASHER DIN 127 -B- M6	2	
FS3.2087	51	Bracket	BRACKET SUPPORT POLIZENE UNDER THE DISK	1	
FS3.0253	4	Group	GROUP GUIDE	2	A-B
N11.1173	55	Bolt	CYLINDRICAL HEAD CAP SCREW M8x25 ZN DIN 912	4	
N1.6215	56	Washer	SPRING LOCK WASHER DIN 127 -B- M8	4	
N1.6117	57	Washer	WASHER UNI 6592 M8 (8.4x16x1.6)	4	
FS3.2095	58	Plate	SLIDE FOR SUPPORT OF THE GEARBOX, TH. 6MM	1	B-D
FS3.2145	59	Plate	SLIDE FOR SUPPORT OF THE GEARBOX, TH.S 2.5MM	1	
FS3.2102	60	Plate	SLIDE FOR SUPPORT OF THE GEARBOX, TH. 4MM	1	
FS3.0255B	5	Group	GROUP BRACKET BLUE RAL 5010	1	A-B
FS3.2131B	40	Bracket	BRACKET BLUE RAL 5010	1	
N1.6410	41	Washer	WASHER DIN 6798J M10 10,5x18x0,9	5	
N1.1228	42	Screw	BUTTON HEAD SCREW ISO 7380 - M10 x 25	5	B
FS3.0256B	6	Group	GROUP PAINTED CLOSING BASE BLUE RAL 5010	1	A
FS3.2090B	34	Cover	PAINTED CLOSING BASE BLUE RAL 5010	1	A
N1.1220	35	Screw	BUTTON HEAD SCREW ISO 7380 - M6 x 16	4	B
N1.6163	36	Washer	PLAIN WASHER M6 GALVANIZED DIN 125A - 6,4x12x1,6	4	
FS3.0257B	7	Group	GROUP PAINTED MOTOR CARTER BLUE RAL 5010	1	A
FS3.2091B	31	Carter	PAINTED MOTOR CARTER BLUE RAL 5010	1	A
N1.1220	32	Screw	BUTTON HEAD SCREW ISO 7380 - M6 x 16	2	B
N1.6163	33	Washer	PLAIN WASHER M6 GALVANIZED DIN 125A - 6,4x12x1,6	4	
N1.1520	60	Screw	HEXAGON HEAD SCREW CL.8.8 DIN 933 M6x16 GAL.	2	B

FS3.0291GB/FS3.0292GB/FS3.0293GB/FS3.0294GB Base unit Ø1500/Ø1650/Ø1800/Ø2200mm

Part no.	RIF	Description	Specification English	Q.ty	Maintenance
FS3.0258	8	Group	GROUP BRACKET FOR FILM	1	A-B
FS1.1383	37	Plate	PLATE FOLDED FIXED ON THE TURNTABLE	1	A-B
N1.1591	38	Bolt	HEXAGONAL HEAD BOLT M10x12 ZINCED UNI 5739	1	B
N2.2455	39	Thorn	ELASTIC THORN 8x10 UNI 6873/71	1	B
FS3.0286	9	Group	GROUP MOTORGear (NEXT PAGES)	1	A-B
FS3.0288B	10	Group	GROUP BRACKET BLUE RAL 5010	1	A-B
FS7.1313B	43	Bracket	BRACKET BLUE RAL 5010	1	
N1.5109	44	Nut	NUT CL. 8 PG UNI 5588/65 DIN 934 M16 GALVANIZED	1	
N1.1552	45	Screw	HEXAGON HEAD BOLT M16x30 GALVANIZED M16x30	1	
N1.1228	46	Screw	BUTTON HEAD SCREW ISO 7380 - M10 x 25	9	B
N1.6410	47	Washer	WASHER DIN 6798J M10 10,5x18x0,9	9	
FS3.2083G	11	Disk	PAINTED DISK D.1500MM YELLOW RAL 1021	1	A
FS3.2144G	11	Disk	PAINTED DISK D.1650MM YELLOW RAL 1021	1	A
FS3.2269G	11	Disk	PAINTED DISK D.1800MM YELLOW RAL 1021	1	A
FS3.2586G	11	Disk	PAINTED DISK D.2200MM YELLOW RAL 1021	1	A
FS3.2085	12	Plate	PLATE TO STRETCH THE CHAIN OF THE BASE UNIT	1	
FS3.2098	13	Polizene	POLIZENE BETWEEN CHAIN AND BASE UNIT	1	C
FS3.2259B	14	Base unit	PAINTED BASE UNIT D.1500MM BLUE RAL 5010	1	A
FS3.2260B	14	Base unit	PAINTED BASE UNIT D.1650MM BLUE RAL 5010	1	A
FS3.2257B	14	Base unit	PAINTED BASE UNIT D.1800MM BLUE RAL 5010	1	A
FS3.2575B	14	Base unit	PAINTED BASE UNIT D.2200MM BLUE RAL 5010	1	A
FS3.2342	15	Label	FALL DANGER LABEL	1	A-C
FS3.2343	16	Label	CRUSHING DANGER LABEL	1	A-C
FS3.2344	17	Label	FORKLIFT TRUCK LABEL	1	A-C
FS4.1017	18	Roller	ROLL (FOR BASE UNIT D.1500MM)	12	A-C-D
FS4.1017	18	Roller	ROLL (FOR BASE UNIT D.1650MM / D.1800MM)	16	A-C-D
FS4.1017	18	Roller	ROLL (FOR BASE UNIT D. 2200MM)	20	A-C-D
FS4.1208	19	Sheath	SHEATH PVC GREY	1	

FS3.0291GB/FS3.0292GB/FS3.0293GB/FS3.0294GB Base unit Ø1500/Ø1650/Ø1800/Ø2200mm

Part no.	RIF	Description	Specification English	Q.ty	Maintenance
N1.1408	20	Bolt	HEXAGON HEAD BOLT M16x40 ZINCED UNI 5739	1	
N1.1542	21	Bolt	HEXAGON HEAD BOLT DIN 933 - M12 x 100 ZINCED	1	B
N1.2183	22	Bolt	SOCKET CTRS. HD BOLT DIN 7991-A- M10 x 20	4	B
N1.5109	23	Nut	NUT M16 ZINCED UNI 5588	1	
N1.5305	24	Nut	PREVAILING HEXAGON TORQUE / NON MET. INS. M8	2	
N1.5936	25	Rivet	HEXAGON RIVET HEAD M6 L=16	4	
N1.6188	26	Washer	WASHER M12 DIN 9021 13x37x3	1	
N4.1804	27	Spring	POLIURETANIC SPRING	1	C
N4.7360	28	Chain	CHAIN 5/8"X3/8" 179 LINKS (FOR BASE UNIT D.1500MM)	1	B-D
N4.7361	28	Chain	CHAIN 5/8"X3/8" 189 LINKS (FOR BASE UNIT D.1650MM)	1	B-D
N4.7363	28	Chain	CHAIN 5/8"X3/8" 199 LINKS (FOR BASE UNIT D.1800MM)	1	B-D
N4.7371	28	Chain	CHAIN 5/8"X3/8" 225 LINKS (FOR BASE UNIT D.2200MM)	1	B-D
N4.7415	29	Link	LINK 5/8"X3/8"	1	
N11.1173	30	Bolt	CYLINDRICAL HEAD CAP BOLT M8x25 ZN UNI 5931	2	B



FS3.0286.V01

FROMM

www.fromm-stretch.com

FROMM

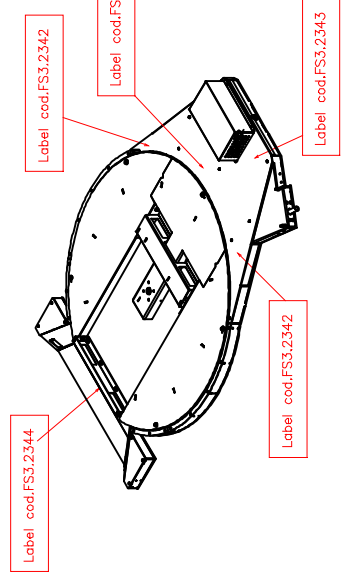
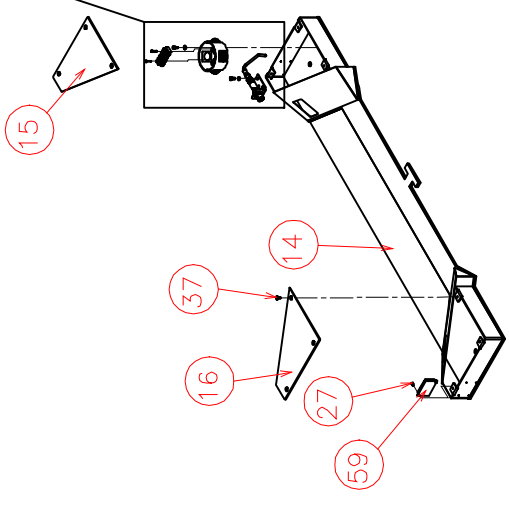
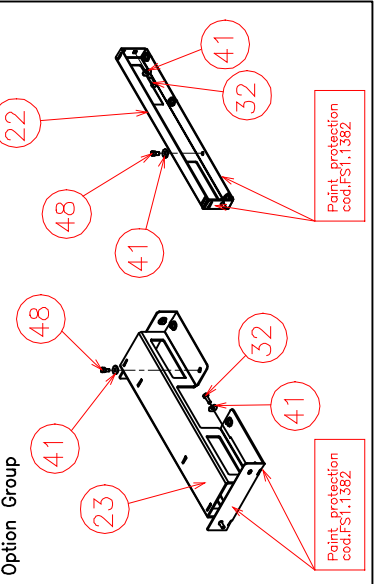
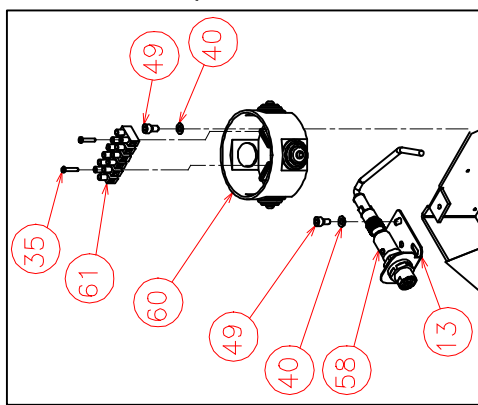
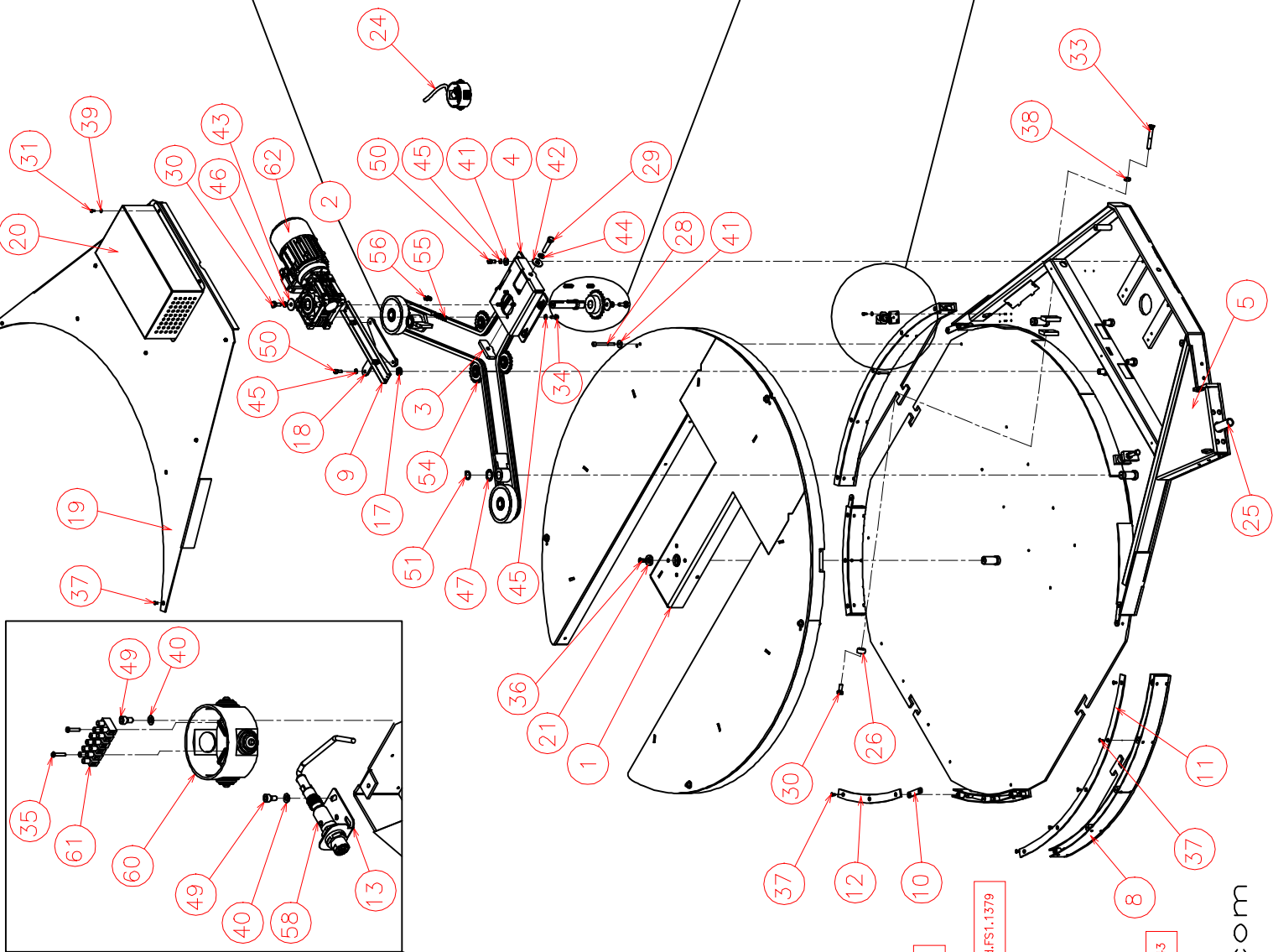
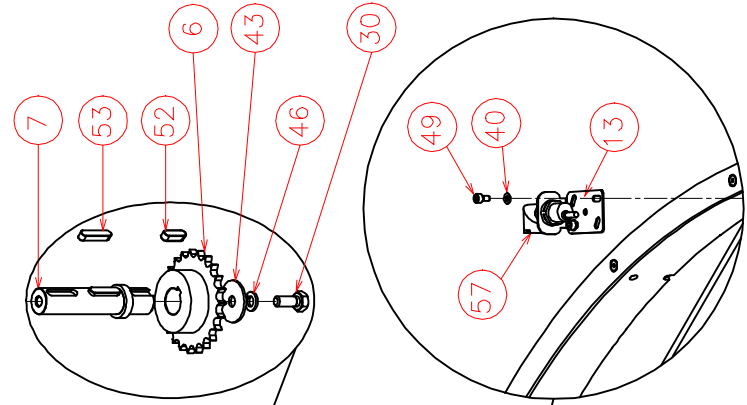
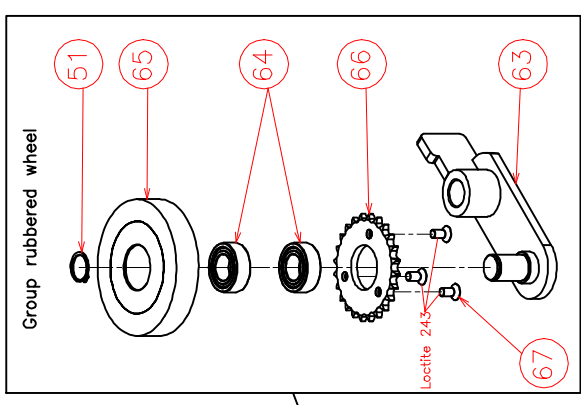
FROMM

FS3.0286 Group motorgear

Part no.	RIF	Description	Specification English	Q.ty	Maintenance
FS3.2086	1	Bracket	SUPPORT POLIZENE UNDER THE GEARBOX	2	
FS3.2088	2	Bracket	BRACKET SHAFT BASE UNIT	1	
FS3.2097	3	Polizene	POLIZENE FOR MOTOR PINION/CENTRAL GEAR	2	C-D
FS3.2103	4	Pinion	PINION 5/8"x3/8" Z=18	1	C-D
FS3.2757Z	5	Bracket	BRACKET SUPPORT GEARBOX BASE UNIT FS390 ZIN.	1	A-B-D
FS3.2758Z	6	Bracket	BRACKET SUPPORT SENSOR BASE UNIT FS390 ZIN.	1	
FS3.2759	7	Shaft	SHAFT GEARBOX FS390	1	C
N1.1546	8	Bolt	HEXAGON HEAD BOLT DIN 933 - M10 x 25 ZINCED	2	B
N1.1589	9	Bolt	HEXAGON HEAD BOLT DIN 933 - M8 x 18 ZINCED	4	
N1.6196	10	Washer	WASHER 10.5x40x2.5	2	
N1.6201	11	Washer/Lock	SPRING LOCK WASHER DIN 127 -B- M10	2	
N1.6204	12	Washer/Lock	SPRING LOCK WASHER DIN 127 -B- M6	4	
N1.6215	13	Washer/Lock	SPRING LOCK WASHER DIN 127 -B- M8	6	
N2.3308	14	Key	KEY 8x7x40 UNI 6604	2	
N2.3314	15	Key	KEY 8x7x25 UNI 6604	1	
N5.2554	16	Proximity	PROXIMITY M18 PNP NO CONN. M12	1	A-E
N11.1102	17	Bolt	CYLINDRICAL HEAD CAP SCREW M8x16 ZN UNI 5931	2	B
N11.1135	18	Screw	CYLINDRICAL HEAD CAP SCREW M6x12 ZN UNI 5931	4	B

GROUP MOTORGear FS390

N51.1148	19	Motor/Gear	MOTOR + GEAR	1	B-C-D-E
N51.1131	20	Motor	MOTOR SIMOTOP MS713-4 POWER 0,55 KW	1	B-C-E
N4.7667	21	Gear	GEAR CMRV 63-40 71B14	1	B-C-D



16.8615-17

FROMMM

www.fromm-stretch.com

Reparaturanleitung

Version: 07/14

16.8615-17 Horse shoe FS3.0222GB PARTS Ø1650mm

Part no.	RIF	Description	Specification English	Q.ty	Maintenance	Art. Group
FS3.0221G	1	Disk	PAINTED DISK YELLOW RAL 1021	1		4410
FS3.0226	2	Group	GROUP RUBBERED WHEEL	2	C	4410
N2.1105	51	Seeger	ELASTIC RING TYPE A D.25 DIN 471	2		4400
FS4.1444	63	Lever	LEVER	1		4402
N31.1141	64	Ball bearing	BALL BEARING 63005 2RS1 25X47X16	2	C	4200
FS4.1450	65	Wheel	RUBBERED WHEEL	1	C	4401
FS4.1451	66	Gear	GEAR 1/2"x5/16" Z=24	1	C-D	4402
N1.2168	67	Bolt	SOCKET CTRS HD BOLT DIN 7991 M8x16 ZINCED	3	B-C	4200
FS3.2085	3	Plate	PLATE	1		4402
FS3.2169	4	Bracket	BRACKET SUPPORT GEARBOX	1	B	4402
FS3.2316B	5	Group	GROUP HORSE SHOE D.1650 BLUE RAL 5010	1	A	4402
FS3.2333	6	Pinion	GEARBOX PINION	1	C-D	4400
FS3.2334	7	Shaft	GEARBOX SHAFT	1	C-D	4400
FS3.2349B	8	Plate	CURVED PLATE BLUE RAL 5010	2	A	4402
FS3.2355B	9	Bracket	BRACKET FOR CABLE	1		4403
FS3.2360Z	10	Plate	ZINCED PLATE	4		4402
FS3.2361B	11	Cover	LONG COVER BLUE RAL 5010	2		4402
FS3.2362B	12	Cover	SHORT COVER BLUE RAL 5010	2		4402
FS3.2363Z	13	Bracket	PHOTOCELL ZINCED BRACKET	2		4402
FS3.2366B	14	Plate	FRONT PLATE BLUE RAL 5010	1	A	4402
FS3.2370B	15	Cover	PHOTOCELL COVER BLUE RAL 5010	1	A	4402
FS3.2372B	16	Cover	PHOTOCELL COVER BLUE RAL 5010	1	A	4402
FS3.2375	17	Spacer	SPACER	3		4402
FS3.2376B	18	Plate	PLATE BLUE RAL 5010	1		4402
FS3.2386B	19	Carter	HORSE SHOE CARTER BLUE RAL 5010	1	A	4402
FS3.2388B	20	Carter	MOTOR CARTER BLUE RAL 5010	1	A	4402
FS3.2389Z	21	Washer	SPECIAL ZINCED WASHER	1		4402
FS3.2401	24	Cable	PROXIMITY CABLE M12 L=4000	1	C	4403
FS4.1248	25	Tube	PVC TUBE	1		4403
FS4.1449	26	Spring	POLIURETANIC SPRING D.I.=10.5 L=20	2	C	4400
N1.1105	27	Screw	CYLINDRICAL HEAD CAP SCREWS M3x6 DIN 912 BL	2		4200
N1.1131	28	Bolt	CYLINDRICAL HEAD CAP BOLT M8x80 DIN 912 BL	5		4200
N1.1440	29	Bolt	HEXAGON HEAD BOLT M12x55 DIN 933 ZINCED	1	B	4200
N1.1546	30	Bolt	HEXAGON HEAD BOLT M10x25 DIN 933 ZINCED	4	B	4200
N1.1550	31	Screw	HEXAGON HEAD SCREW M5x12 DIN 933 ZINCED	9		4200
N1.1582	33	Bolt	HEXAGON HEAD BOLT M10x75 DIN 933 ZINCED	2	B	4200
N1.1589	34	Bolt	HEXAGON HEAD BOLT M8x18 DIN 933 ZINCED	4		4200
N1.1714	35	Screw	BUTTON HEAD SCREW M2.9x16 DIN 7981 ZINCED	4		4200
N1.2147	36	Bolt	SOCKET CTRS. HD BOLT DIN 7991 M8x20 ZINCED	1	B	4200
N1.2163	37	Screw	SOCKET CTRS. HD SCREW DIN 7991 M5x12 ZINCED	26		4200
N1.5108	38	Nut	NUT M10 DIN 934 ZINCED	2	B	4200

16.8615-17 Horse shoe FS3.0222GB PARTS Ø1650mm

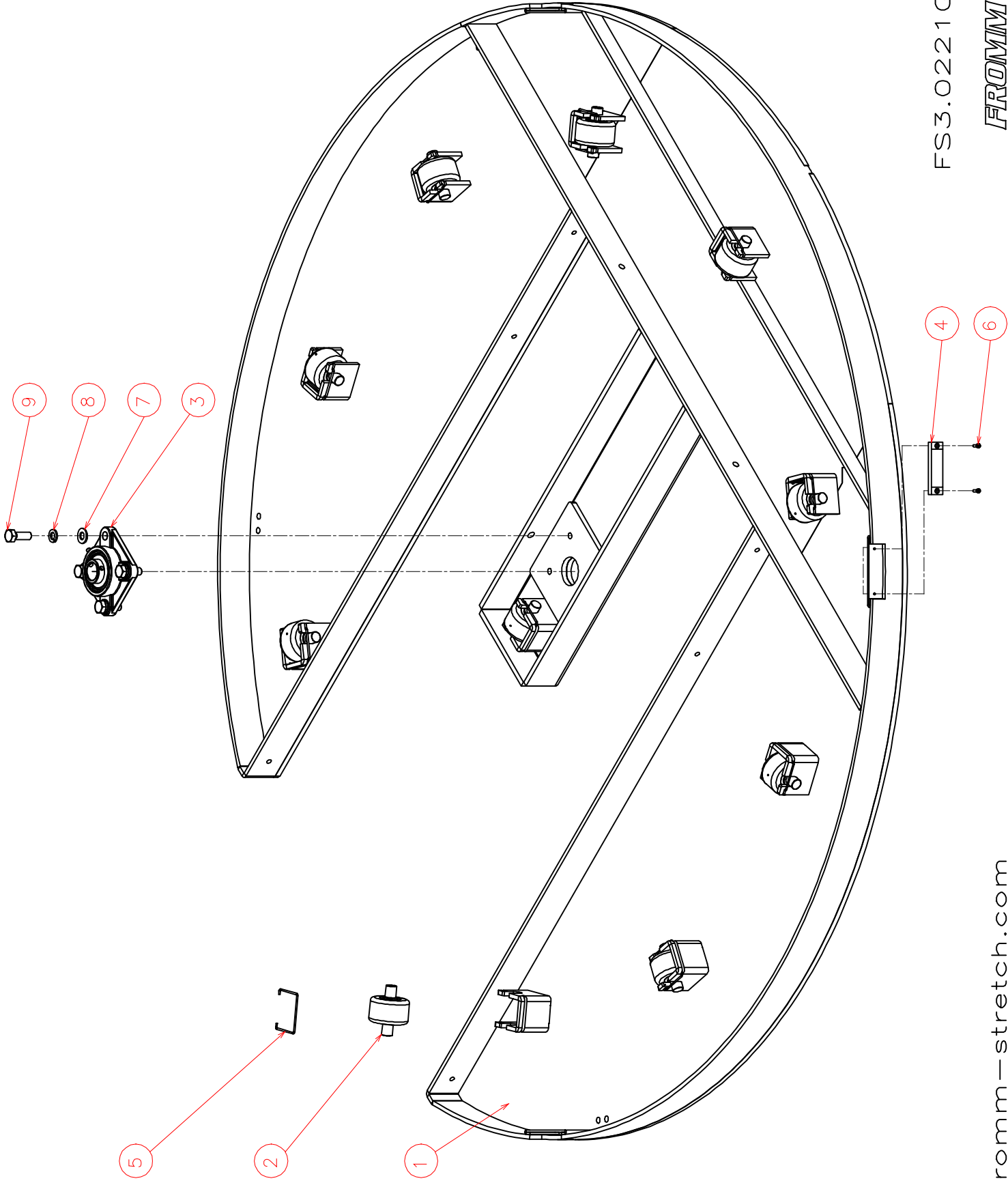
Part no.	RIF	Description	Specification English	Q.ty	Maintenance	Art. Group
N1.6103	39	Washer	PLAIN WASHER M5 5.3x9.5x1 DIN 433 ZINCED	9		4200
N1.6167	40	Washer	PLAIN WASHER M5 5.3x10x1 DIN 433 ZINCED	8		4200
N1.6174	41	Washer	PLAIN WASHER M8 8.4x24x2 DIN 9021 ZINCED	13		4200
N1.6188	42	Washer	PLAIN WASHER M12 13x37x3 DIN 9021 ZINCED	1		4200
N1.6196	43	Washer	PLAIN WASHER M10 10.5x40x2.5 DIN 9021 ZINCED	2		4200
N1.6214	44	Washer	SPRING LOCK WASHER DIN 127 -B- M12	1		4200
N1.6215	45	Washer	SPRING LOCK WASHER DIN 127 -B- M8	11		4200
N1.6216	46	Washer	SPRING LOCK WASHER DIN 127 -B- M10	2		4200
N1.6308	47	Washer	SPECIAL WASHER 26x38x0.5	2		4200
N11.1102	48	Bolt	CYLINDRICAL HEAD CAP SCREW M8x16 ZN DIN 912	4		4200
N11.1118	49	Screw	CYLINDRICAL HEAD CAP SCREW M5x10 ZN DIN 912	8		4200
N11.1141	50	Bolt	CYLINDRICAL HEAD CAP SCREW M8x20 ZN DIN 912	7	B	4200
N2.3314	52	Key	KEY 8x7x25 UNI 6604	1		4200
N2.3355	53	Key	KEY 8x7x35 UNI 6604	2		4200
N4.7238	54	Pinion	PINION WITH BALL BEARINGS 1/2"x5/16" Z=18	3	C	4400
N4.7365	55	Chain	CHAIN 1/2"x5/16" 222 LINKS	1	B-C-D	4200
N4.7413	56	Link	SPRING CLIP (LINK) 1/2"X5/16" ISO 08B-1	1		4200
N5.2643	57	Photocell	PHOTOCELL 90°	1	A-E	4401
N5.2667	58	Photocell	REFLECTOR PHOTOCELL	1	A-E	4403
N5.2668	59	Reflector	REFLECTOR	1	A-E	4400
N5.6612	60	Box	CONNECTION BOX	2	C	4403
N5.6701	61	Clamp	CLAMP 12 POLES	1	C	4403
N51.1112	62	Motor/Gear	GEARBOX IEC71 0.55kW/4 POLES 230/400V 50Hz	1	B-C-D-E	4401

Inside packaging:

FS1.1383	Plate	PLATE FOLDED FIXED ON THE TURNTABLE		1		
FS3.2131B	Angular plate	ANGULAR PLATE COLUMN-BASE BLUE RAL 5010		1		
FS3.2132B	Plate	FIXING COLUMN-BASE UNIT BLUE RAL 5010		1		
N1.1228	Bolt	BUTTON HEAD BOLT M10x25 ISO 7380 ZINCED		11		
N1.1591	Bolt	HEXAGON HEAD BOLT M10x12 DIN 933 ZINCED		1		
N1.5109	Nut	NUT M16 DIN 934 ZINCED		1		
N1.5305	Nut	PREVAILING HEXAGON TORQUE M8 DIN 985 ZINCED		2		
N1.6410	Washer	LOCK WASHER M10 10.5x18x0.9 DIN 6798J ZINCED		11		
N11.1173	Bolt	CYLINDRICAL HEAD CAP SCREW M8x25 ZN DIN 912		2		
N2.2455	Thorn	ELASTIC THORN 8x10 DIN 1481 BLACK		1		
N4.4104	Rubber stop	RUBBER STOP TYPE "D" 50x28 M10		2		
N1.1552	Bolt	HEXAGON HEAD BOLT M16x30 DIN 933 ZINCED		1		
N1.4202	Cap	CAP M10x89		2		

Option group:

FS3.2394	22	Bracket	LIFTING BRACKET	1		4402
FS3.2395	23	Bracket	LIFTING BRACKET	1		4402
N1.1557	32	Bolt	HEXAGON HEAD BOLT M8x25 DIN 933 ZINCED	6		4200
N1.6174	41	Washer	PLAIN WASHER M8 8.4x24x2 DIN 9021 ZINCED	14		4200
N11.1102	48	Bolt	CYLINDRICAL HEAD CAP SCREW M8x16 ZN DIN 912	8		4200



FS3.0221G.V01

FROMM

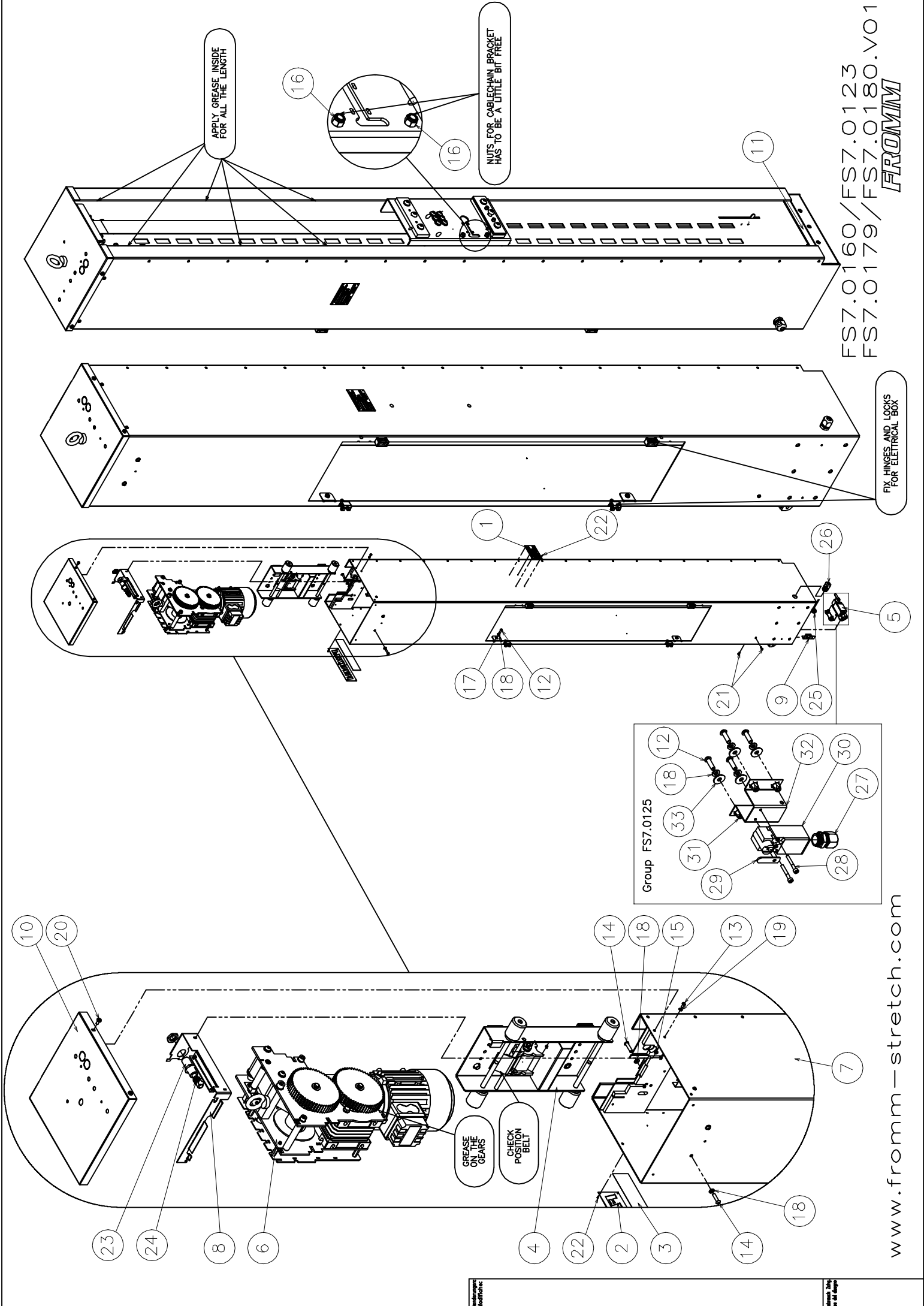
www.fromm-stretch.com

Produktion:
Produktionscode

Zeichnung: 2004
Date: 04.08.2004

FS3.0221G Group painted disk yellow ral 1021

Part no.	RIF	Description	Specification English	Q.ty	Maintenance	Art. Group
FS3.2304G	1	Disk	PAINTED DISK D.1585 YELLOW RAL 1021	1	A	4402
FS4.1017	2	Roller	ROLL (VALID UNTIL 31.12.2011)	10	A-C-D	4401
FS4.0168	2	Roller	ROLL (VALID FROM 01.01.2012)	10	A-C-D	4401
N3.4624	3	Support	SWINGING BRACKET UCF 205	1	C-D	4400
N5.2644	4	Reflector	REFLECTING RL 112-G 19X73 MD	1	A	4400
FS4.1462	5	Wire steel	INOX AISI 302 WIRE STEEL STOP ROLL	10	C	4200
N1.1173	6	Screw	CYLINDRICAL HEAD SCREW M3x10 DIN 912 GALVAN.	2		4200
N1.6161	7	Washer	PLAIN WASHER M10 10,5x20x2 ZINCED DIN 125A	4		4200
N1.6216	8	Washer	SPRING LOCK WASHER M10 DIN 127-B- GALVANIZED	4		4200
N1.1511	9	Bolt	HEXAGONAL HEAD BOLT M10x30 ZINCED DIN 933	4		4200



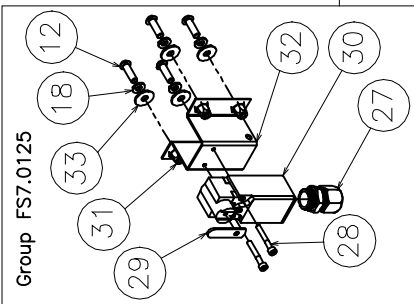
APPLY GREASE INSIDE FOR ALL THE LENGTH

NUTS FOR CABLECHAIN BRACKET HAS TO BE A LITTLE BIT FREE

FIX HINGES AND LOCKS FOR ELECTRICAL BOX

GREASE ON THE GEARS

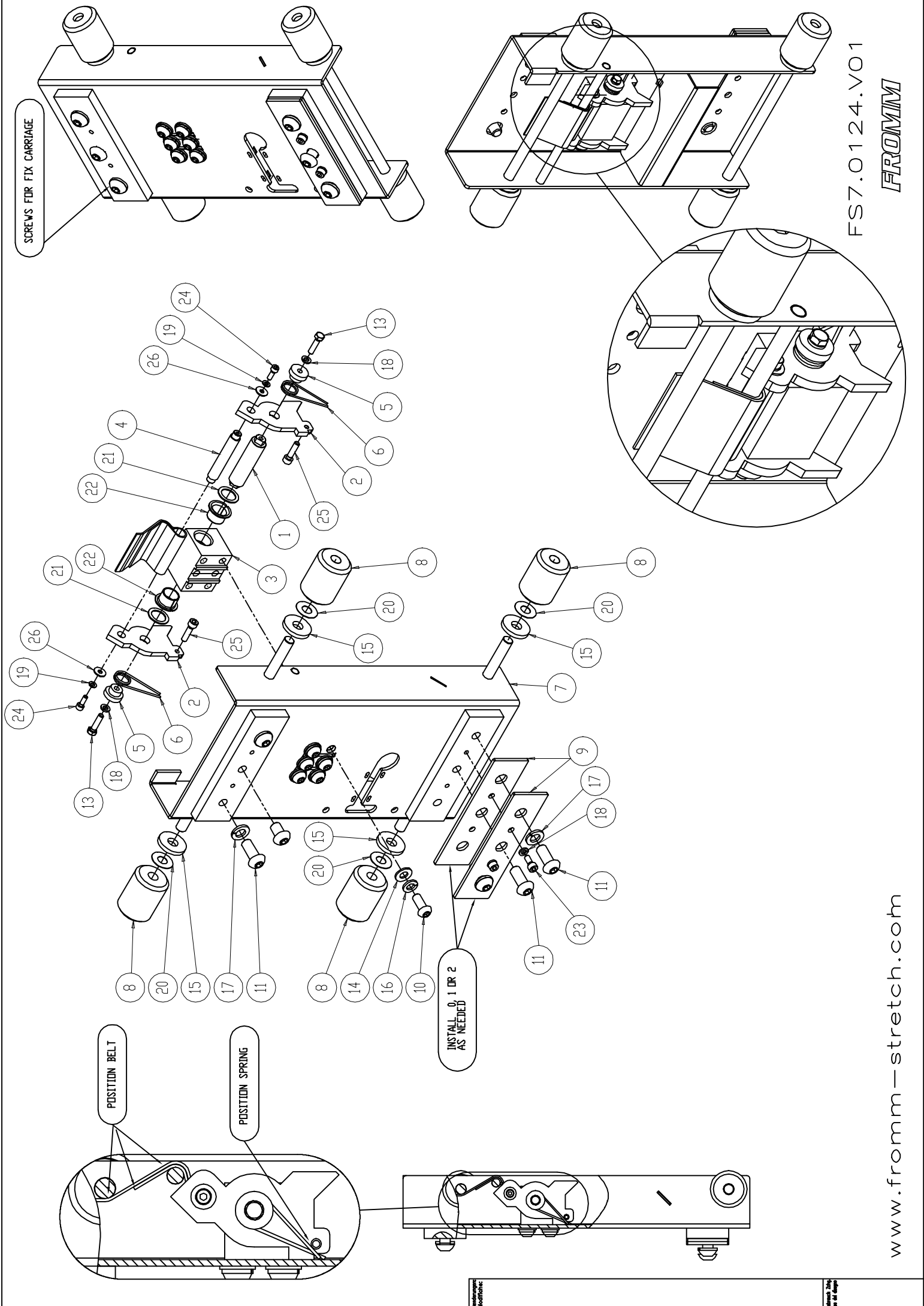
CHECK POSITION BELT



FS7.0160/FS7.0123
 FS7.0179/FS7.0180.V01
FROMM

FS7.0160GB_FS7.0123GB_FS7.0179GB_FS7.0180GB Group Mast H.2250/2500mm/2800mm/3050mm

Part no.	RIF	Description	Specification English	Q.ty	Maintenance
FS4.1184	1	Label	LABEL REGISTER FS	1	
FS4.1516	2	Label	LABEL BRAND FROMM	1	
FS4.1521	3	Sticker	RED STICKER PVC	1	
FS7.0124G	4	Group	GROUP CARRIAGE FOR MAST (NEXT PAGES)	1	E
FS7.0125	5	Group	GROUP MICROSWITCH	1	E
N5.3331	27	Gland	GLAND PG.11	1	B-C
N11.1174	28	Screw	CYLINDRICAL HEAD CAP SCREW M4x30 ZN UNI 5931	2	
FS1.2064Z	29	Bracket	MICRO BRACKET ZINCED	1	
N5.2358	30	Microswitch	MICROSWITCH FR531-A PIZZATO	1	E
N1.5936	31	Rivet	RIVET HEXAGON HEAD M6 L=16	4	
FS7.1204Z	32	Bracket	BRACKET FOR MICRO ZINCED	1	
N1.6131	33	Washer	PLAIN WASHER DIN 125 - 6,4 x 18 ZINCED	4	
N1.6204	18	Washer	SPRING LOCK WASHER DIN 127 -B- M6	4	
N1.1222	12	Screw	BUTTON HEAD SCREW ISO 7380 - M6 x 20 ZINCED	4	B
FS7.0153	6	Group	GROUP MOTORGear PLUS CARTER (NEXT PAGES)	1	E
FS7.1380B	7	Mast	MAST H.2250MM BLUE RAL5010	1	
FS7.1172B	7	Mast	MAST H.2500MM BLUE RAL5010	1	
FS7.1674B	7	Mast	MAST H.2800MM BLUE RAL5010	1	
FS7.1678B	7	Mast	MAST H.3050MM BLUE RAL5010	1	
FS7.1201Z	8	Bracket	BRACKET FOR SENSOR ZINCED	1	
FS7.1205Z	9	Bracket	BRACKET FOR CABLE ZINCED	1	
FS7.1206B	10	Carter	TOP CARTER BLUE RAL5010	1	
FS7.1208B	11	Plate	PLATE TO FIX THE BASE BLUE RAL5010	1	
N1.1222	12	Screw	BUTTON HEAD SCREW ISO 7380 - M6 x 20 ZINCED	4	B
N1.1230	13	Screw	BUTTON HEAD SCREW ISO 7380 - M4 x 10 ZINCED	2	
N1.1233	14	Screw	BUTTON HEAD SCREW ISO 7380 - M6 x 25 ZINCED	4	B
N1.5124	15	Nut	NUT DIN934 M5 ZINCED	2	
N1.5301	16	Nut	NUT DIN 985 M6 ZINCED	2	
N1.5936	17	Rivet	RIVET HEXAGON HEAD M6 L=16	4	
N1.6204	18	Washer	SPRING LOCK WASHER DIN 127 -B- M6	8	
N1.6219	19	Washer	SPRING LOCK WASHER DIN 127 -B- M4	2	
N1.7331	20	Screw	HEAD PIN SCREW M5x10 ZINCED UNI 8112	3	
N1.7333	21	Screw	HEAD PIN SCREW M4x10 ZINCED UNI 8112	2	
N2.4902	22	Rivet	CYLINDRICAL HEAD CAP RIVET UNI 7346 D.1,85x4,76 N.	10	
N5.2554	23	Proximity	PROXIMITY M18 PNP NO CONN. M12 AK1/AP-1H	1	E
N5.3172	24	Cable	CABLE FOR PHOTOCELL OR PROXIMIY L.2m D12 90gr	1	
N5.3341	25	Cablegland	LOCK NUT M20 GREY COLOR RAL 7035	1	
N5.3352	26	Gland	GLAND M20 D.6-12 GREY COLOR RAL 7035	1	B-C

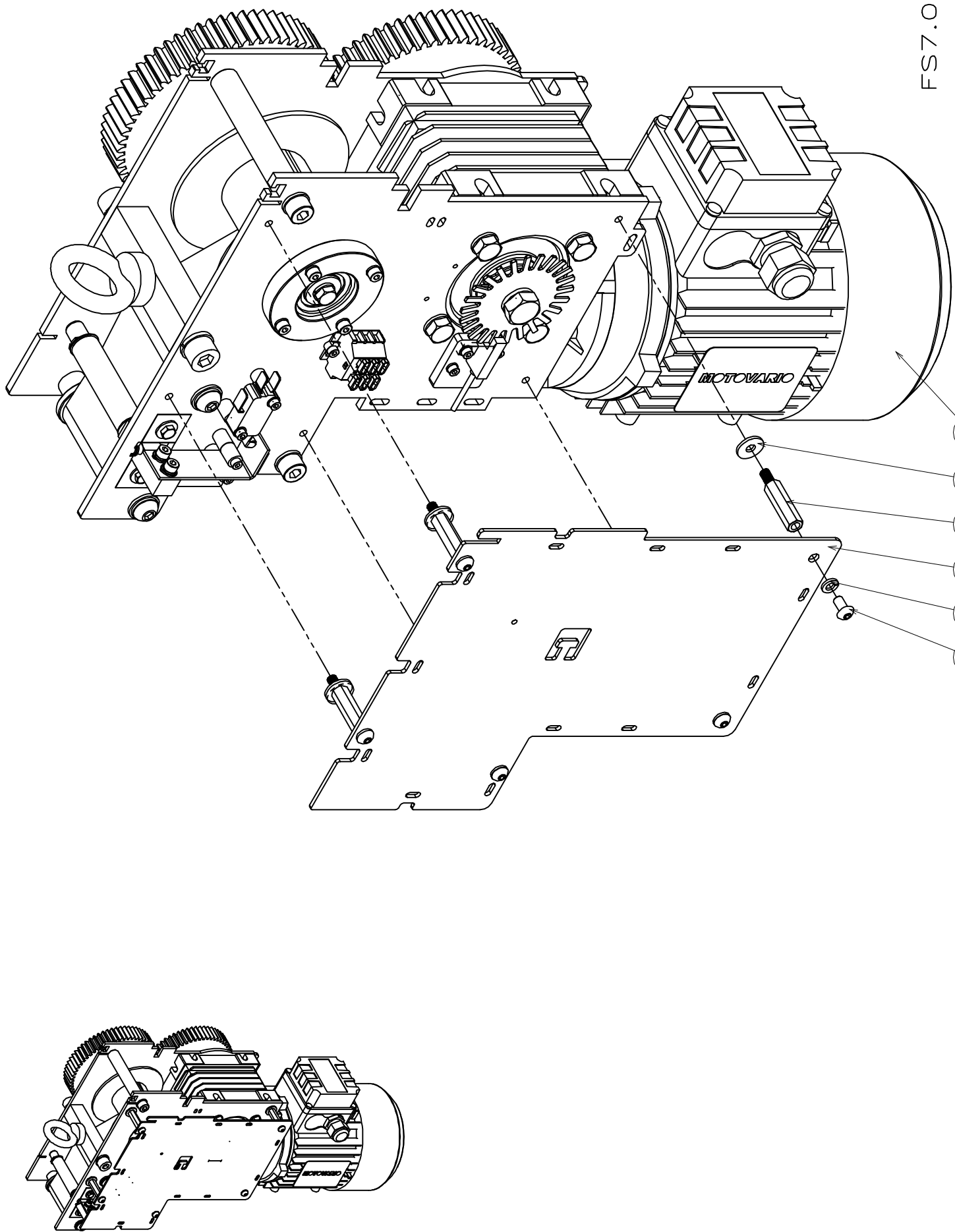


FS7.O124.V01

FROMM

FS7.0124G Group carriage for the mast colour yellow RAL1021

Part no.	RIF	Description	Specification English	Q.ty	Maintenance
FS1.2029	1	Pin	PIN	1	
FS1.2030Z	2	Plate	PLATE ZINCED	2	E
FS1.2031	3	Block	BLOCK	1	
FS1.2032	4	Pin	PIN	1	
FS1.2034	5	Distan. Piece	DISTANCE PIECE	2	
FS1.2076	6	Spring	SPRING	2	C-D
FS7.1181G	7	Carriage	PAINTED CARRIAGE YELLOW RAL1021	1	A-D
FS7.1184	8	Wheel	WHEEL	4	C-D
FS7.1309	9	Plate	PAINTED PLATE	2	
N1.1211	10	Bolt	BUTTON HEAD SCREW ISO 7380 - M8 x 20 ZINCED	6	B
N1.1228	11	Screw	BUTTON HEAD SCREW ISO 7380 - M10 x 25 ZINCED	5	B
N1.1234	12	Screw	BUTTON HEAD SCREW ISO 7380 - M10 x 16 ZINCED	1	B
N1.1504	13	Screw	HEXAGON HEAD BOLT DIN 933 - M5 x 20 ZINCED	2	B
N1.6117	14	Washer	WASHER UNI 6592 M8 (8.4x16x1.6) ISO7089	6	
N1.6189	15	Washer	WASHER Di=10,5 De=28 SP=4 ZINCED	4	
N1.6215	16	Washer	SPRING LOCK WASHER DIN 127 -B- M8 GALVANIZED	6	
N1.6216	17	Washer	SPRING LOCK WASHER DIN 127 -B- M10 GALVANIZED	4	
N1.6217	18	Washer	SPRING LOCK WASHER DIN 127 -B- M5 GALVANIZED	4	
N1.6219	19	Washer	SPRING LOCK WASHER DIN 127 -B- M4 GALVANIZED	2	
N1.6306	20	Washer	WASHER 10x22x0.5	4	
N1.6375	21	Washer	SPECIAL WASHER TYPE "PS" 15x21x1	2	
N3.3142	22	Bush	BUSH 15X17X12	2	C
N11.1101	23	Screw	CYLINDRICAL HEAD CAP SCREW M5x12 ZN DIN 912	2	B
N11.1116	24	Screw	CYLINDRICAL HEAD CAP SCREW M4x12 ZN DIN 912	2	B
N11.1119	25	Screw	CYLINDRICAL HEAD CAP SCREW M5x20 ZN DIN 912	2	B
N11.6106	26	Washer	PLAIN WASHER ISO 7093 M4 4.3x12 GALVANIZED	2	



FS7.0153.V01

FROMM

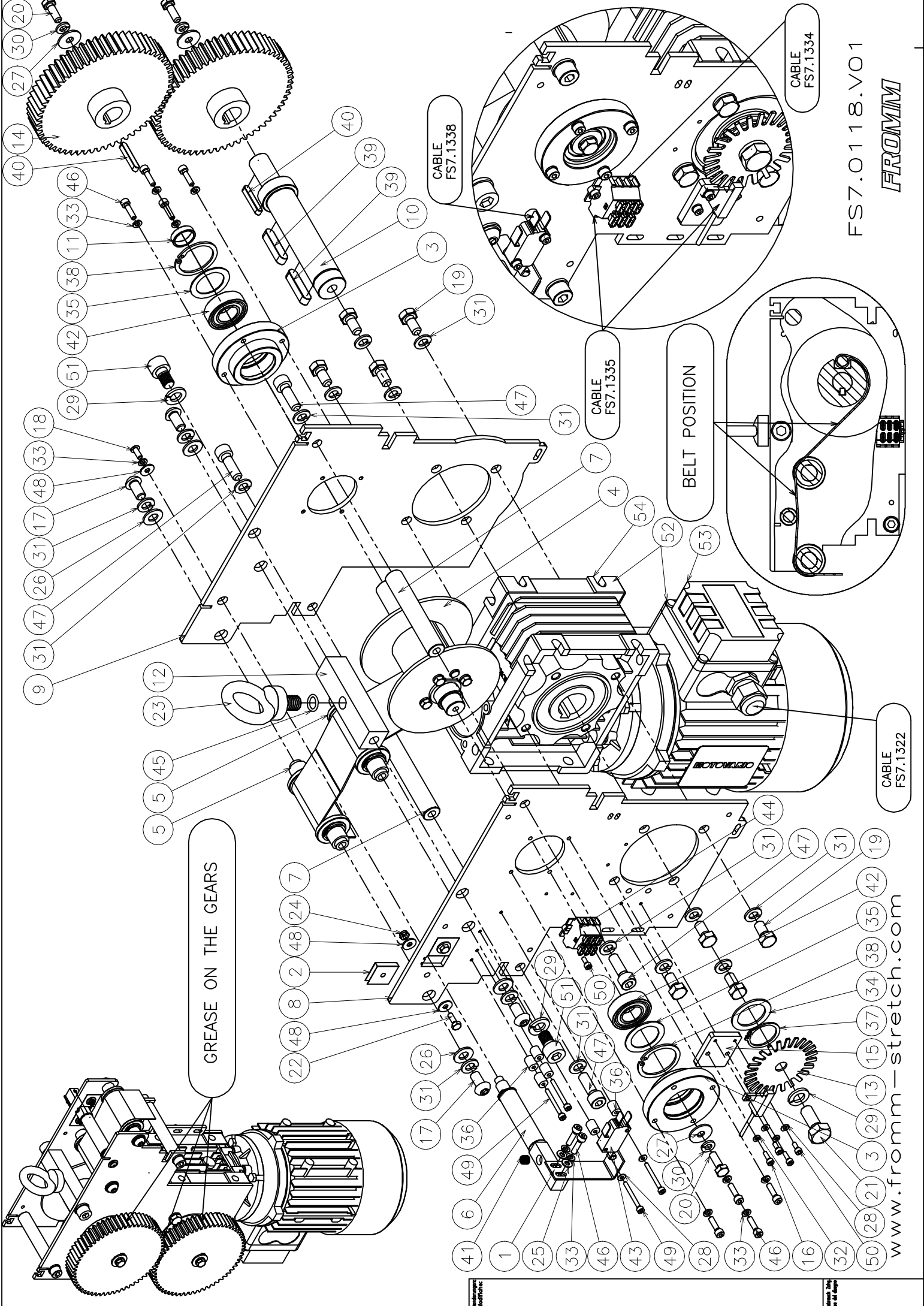
www.fromm-stretch.com

www.fromm-stretch.com

www.fromm-stretch.com

FS7.0153 Group motorgear plus carter

Part no.	RIF	Description	Specification English	Q.ty	Maintenance
FS7.0118	1	Group	GROUP MOTORGEAR (NEXT PAGES)	1	E
FS7.1361Z	2	Carter	CARTER MOTORGROUP ZINCED	1	
N1.1224	3	Screw	BUTTON HEAD SCREW ISO 7380 - M5 x 10 ZINCED	5	B
N1.6217	4	Washer	SPRING LOCK WASHER DIN 127 -B- M5	5	
N5.3840	5	Distan. piece	DISTANCE PIECE M5x30	5	
N1.6125	6	Washer	PLAIN WASHER M5 D.5,3X15X1,2 DIN9021 ZINCED	5	



FS7.O118.VO1

FROMM

www.fromm-stretch.com

Manufactured in Germany

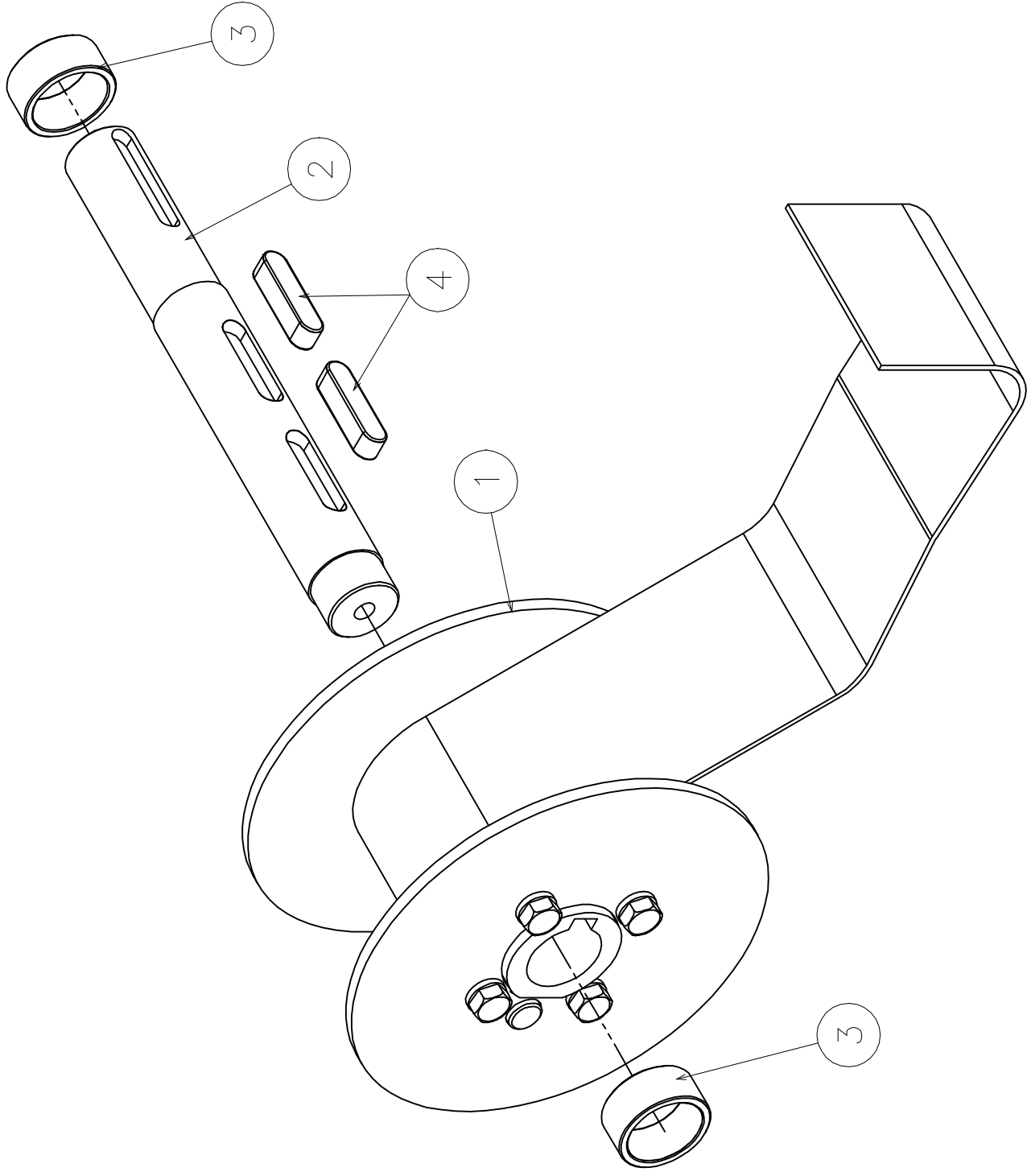
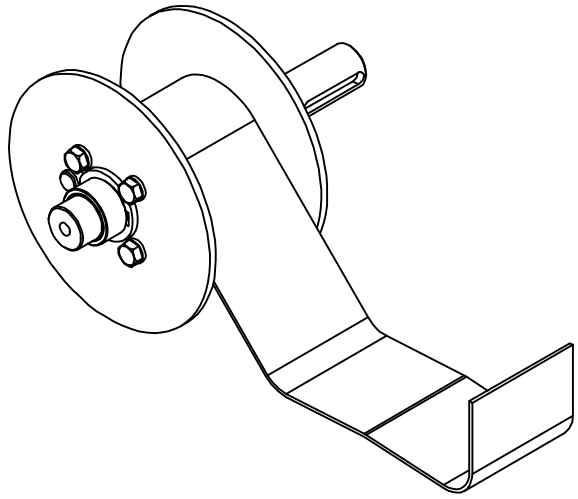
© 2018 Fromm

FS7.0118 Group Motorgear

Part no.	RIF	Description	Specification English	Q.ty	Maintenance
FS1.2058Z	1	Bracket	BRACKET FOR MICROSWITCH ZINCED	1	E
FS1.2099	2	Teflon	TEFLON	2	
FS3.2209	3	Flange	FLANGE	2	
FS7.0119	4	Group	GROUP REEL PLUS SHAFT (NEXT PAGES)	1	E
FS7.0120	5	Group	GROUP ROLL FOR BELT (NEXT PAGES)	2	E
FS7.0121	6	Group	GROUP ROLLER FOR SENSOR (NEXT PAGES)	1	E
FS7.1163	7	Spacer	SPACER	2	
FS7.1164Z	8	Plate	PLATE ZINCED	1	
FS7.1165Z	9	Plate	PLATE ZINCED	1	
FS7.1169	10	Shaft	SHAFT	1	
FS7.1171	11	Distan. Piece	DISTANCE PIECE	1	
FS7.1180	12	Block	BLOCK FOR EYEBOLT	1	
FS7.1198Z	13	Wheel	WHEEL FOR SENSOR ZINCED	1	C
FS7.1209	14	Wheel	WHEEL	2	C
FS7.1280Z	15	Plate	PLATE ZINCED	1	
N1.1173	16	Screw	CYLINDRICAL HEAD CAP SCREW M8x25 ZN DIN 912	2	B
N1.1221	17	Bolt	BUTTON HEAD BOLT ISO 7380 - M8 x 16 ZINCED	4	B
N1.1230	18	Screw	BUTTON HEAD SCREW ISO 7380 - M4 x 10 ZINCED	1	B
N1.1507	19	Bolt	HEXAGONAL HEAD CAP BOLT M8x16 ZN DIN 933	8	B
N1.1518	20	Bolt	HEXAGONAL HEAD CAP BOLT M6x18 ZN DIN 933	3	B
N1.1546	21	Bolt	HEXAGONAL HEAD CAP BOLT M10x25 ZN DIN 933	1	B
N1.1556	22	Bolt	HEXAGONAL HEAD CAP BOLT M4x12 ZN DIN 933	2	B
N1.4404	23	Eyebolt	EYEBOLTS UNI 2947 DIN 580 M12 GALVANIZED	1	B
N1.5307	24	Nut	PREVAILING HEXAGON TORQUE / NON MET. INS. M4	2	
N1.6115	25	Washer	PLAIN WASHER DIN 125A M4 ZINCED	2	
N1.6117	26	Washer	PLAIN WASHER DIN 125A M8 DIAM.8,4X16X1,6 ZN	4	
N1.6141	27	Washer	PLAIN WASHER 6x20x1,5 ZINCED	3	
N1.6190	28	Washer	WASHER M3 DIN125 Di=3,2 De=7 sp=0,5	4	
N1.6201	29	Washer	SPRING LOCK WASHER DIN 127 -B- M10 ZN	3	
N1.6204	30	Washer	SPRING LOCK WASHER DIN 127 -B- M6 ZN	3	
N1.6215	31	Washer	SPRING LOCK WASHER DIN 127 -B- M8 ZN	16	
N1.6218	32	Washer	SPRING LOCK WASHER DIN 127 -B- M3 ZN	2	
N1.6219	33	Washer	SPRING LOCK WASHER DIN 127 -B- M4 ZN	11	
N1.6334	34	Washer	WASHER DIN 988 35X25X1.5	1	
N1.6342	35	Washer	WASHER DIN 988 35X25X1	2	
N1.6379	36	Distan. piece	DISTANCE PIECE d3,1xD8x10	6	
N2.1105	37	Seeger	SEEGER FOR SHAFT D.25 TYPE A DIN471	1	

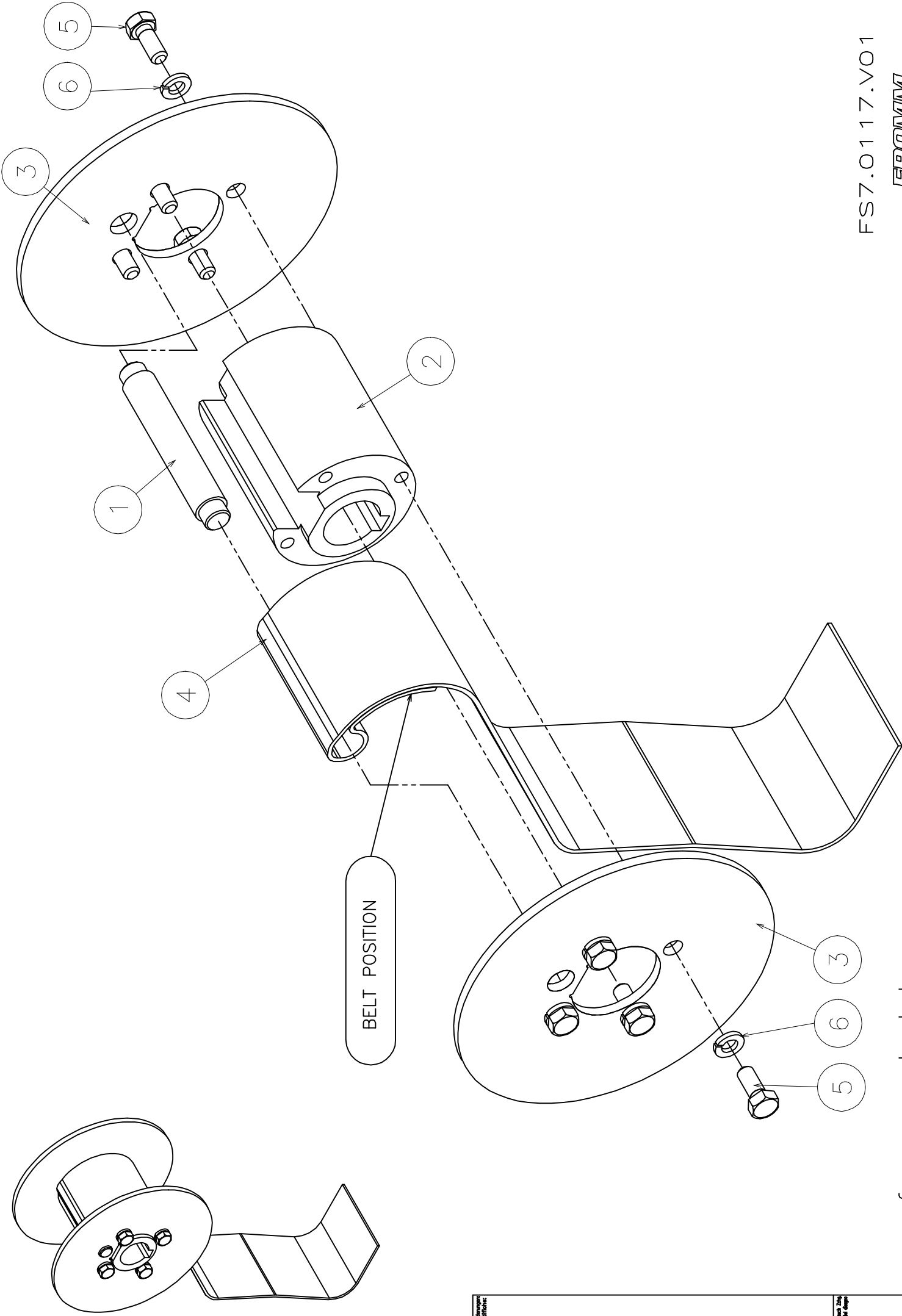
FS7.0118 Group Motorgear

Part no.	RIF	Description	Specification English	Q.ty	Maintenance
N2.1206	38	Seeger	SEEGER FOR HOLES D.35 TYPE J DIN472	2	
N2.3355	39	Key	KEY 8x7x35 DIN 6885A	2	
N2.3333	40	Key	KEY 5x5x30 DIN 6885	2	
N2.5159	41	Spring	SPRING 0.5 X 7 X 18/7.5	1	C
N3.1115	42	Ball bearing	BALL BEARING 6003.2RS17x35x10	2	
N5.2375	43	Microswitch	MICROSWITCH OMRON D3V-166-M1C5	1	E
N5.6726	44	Clamp	CLAMP	1	
N6.6267	45	Washer	O-RING D.10x2	1	
N11.1117	46	Screw	CYLINDRICAL HEAD SCREW DIN 912 M4x16 ZN	10	B
N11.1173	47	Screw	CYLINDRICAL HEAD CAP SCREW M8x25 ZN DIN 912	4	B
N11.6106	48	Washer	PLAIN WASHER M4 4.3x12 ISO 7093 ZN	5	
N12.1114	49	Screw	CYLINDRICAL HEAD SCREW DIN 912 M3x30 ZN	4	
N12.1115	50	Screw	CYLINDRICAL HEAD SCREW DIN 912 M3x8 ZN	4	
N12.1151	51	Screw	CYLINDRICAL HEAD SCREW DIN 912 M10x16 ZN	2	B
GROUP MOTORGear FS390					
N51.1140	52	Motor/Gear	MOTOR+GEAR	1	B-C-D-E
N51.1141	53	Motor	MOTOR	1	B-C-E
N4.7661	54	Gear	GEAR	1	B-C-D



FS7.0119 Group reel plus shaft

Part no.	RIF	Description	Specification English	Q.ty	Maintenance
FS7.0117	1	Group	GROUP REEL (NEXT PAGES)	1	E
FS7.1166	2	Shaft	SHAFT	1	
FS7.1167	3	Distan.Piece	DISTANCE PIECE	2	
N2.3307	4	Key	KEY 6x6x25 DIN 6885A	2	



BELT POSITION

FS7.0117.V01

FROMM

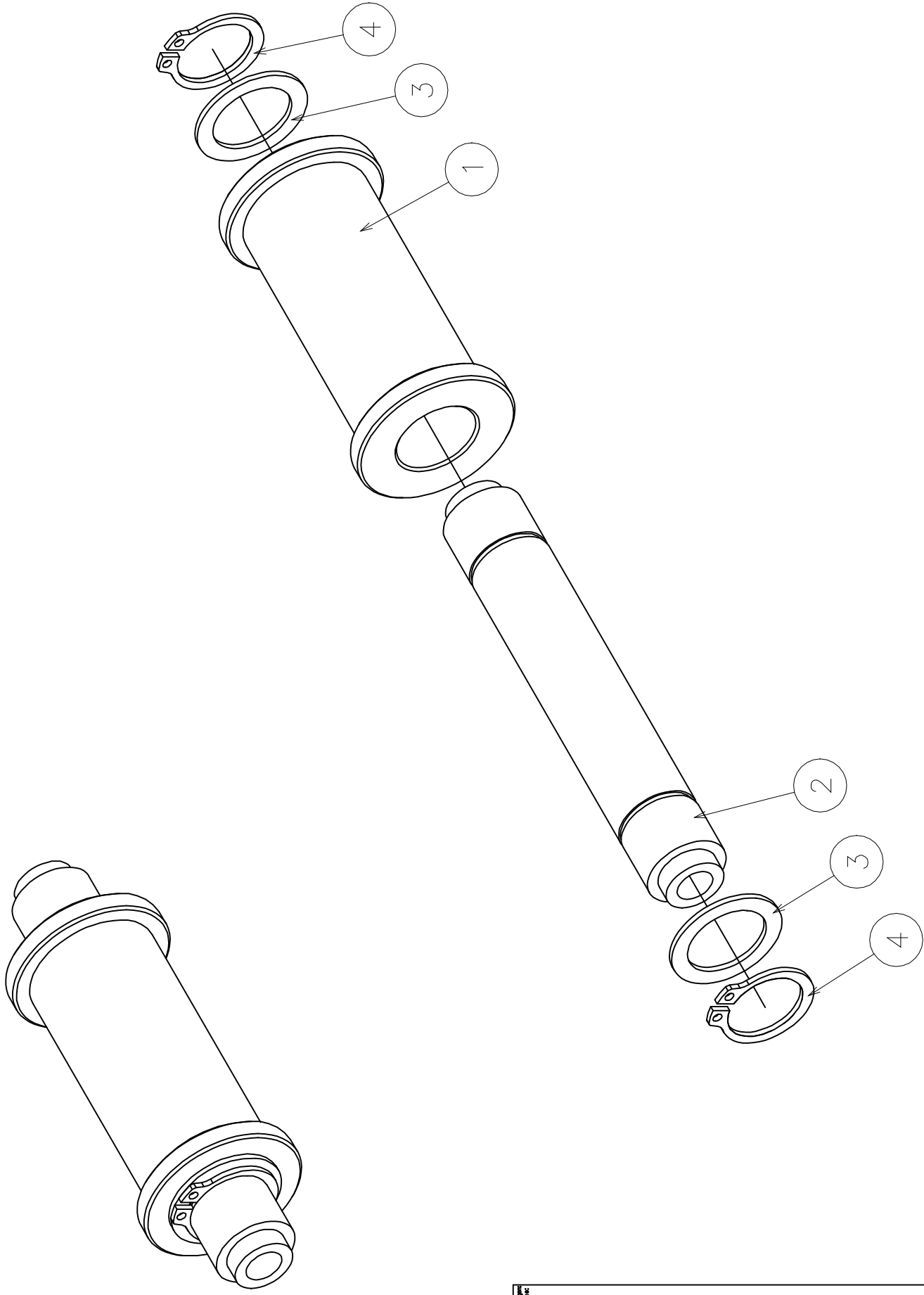
www.fromm-stretch.com

© 2017 FROMM

Alle Rechte vorbehalten

FS7.0117 Group reel

Part no.	RIF	Description	Specification English	Q.ty	Maintenance
FS7.1160	1	Pin	PIN	1	
FS7.1161	2	Reel	REEL	1	E
FS7.1162Z	3	Plate	PLATE ZINCED	2	
FS7.1212	4	Belt	BELT	1	C
N1.1550	5	Bolt	HEXAGONAL HEAD CAP BOLT M5x12 ZN DIN 933	8	
N1.6217	6	Washer	SPRING LOCK WASHER DIN 127 -B- M5 ZN	8	



www.fromm-stretch.com

FS7.0120.V01

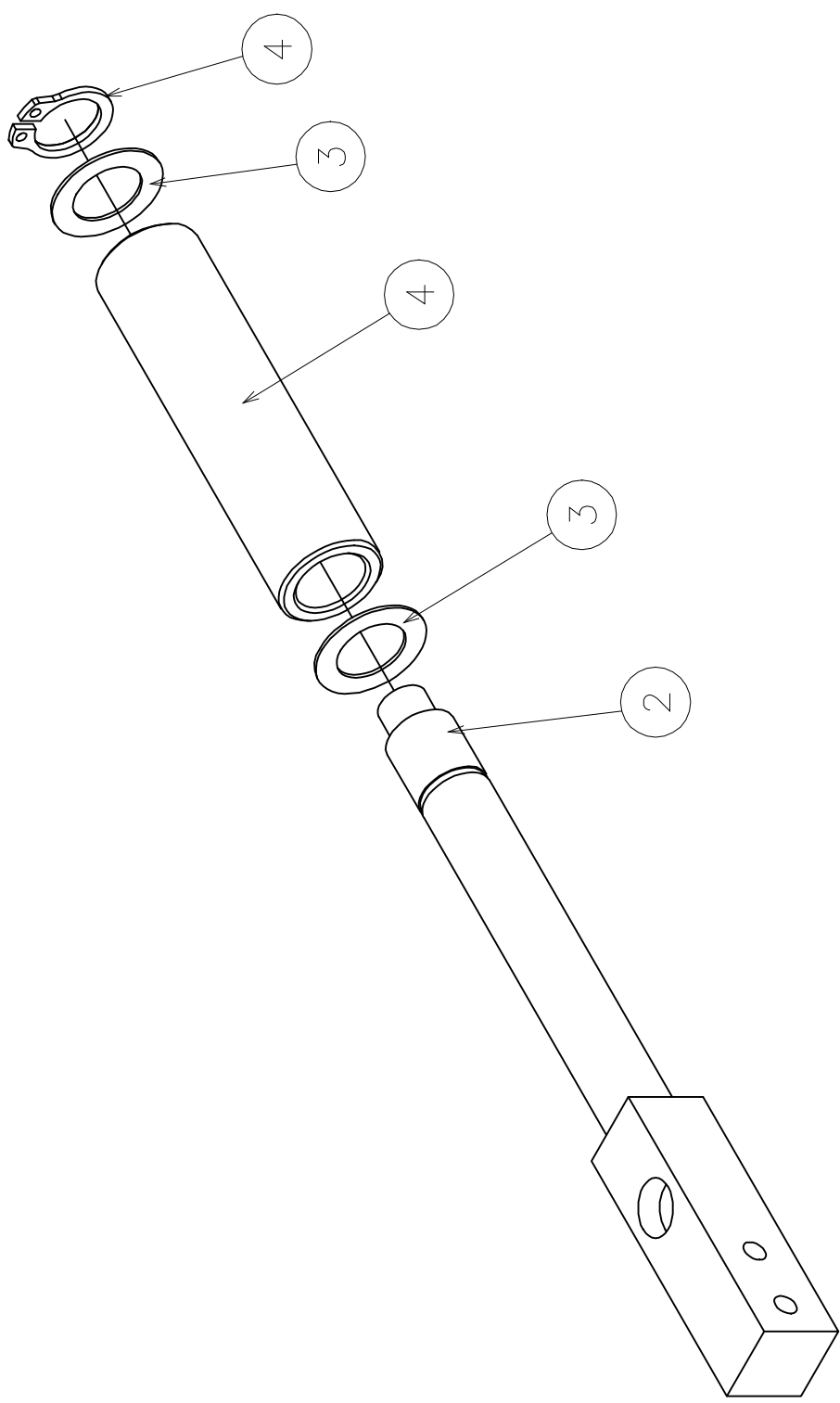
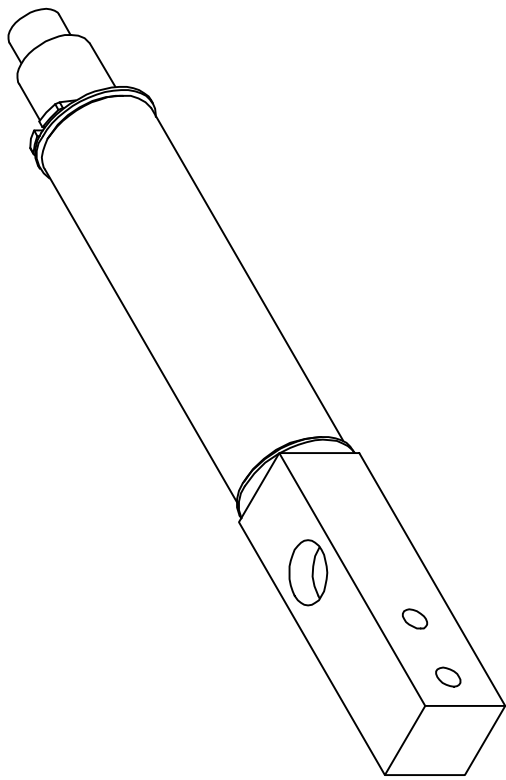
FS7.0120.V01

www.fromm-stretch.com

FROMM

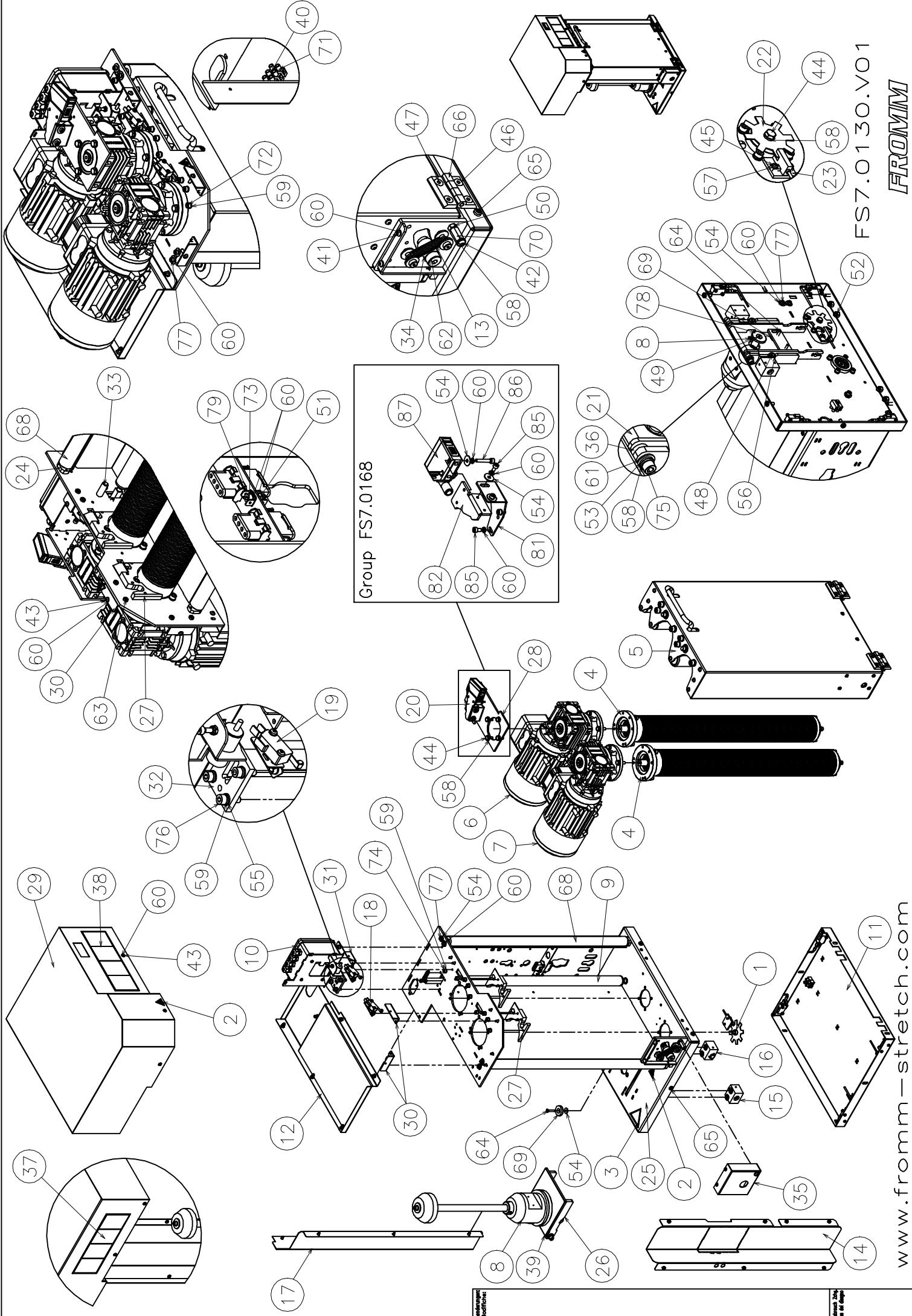
FS7.0120 Group roll for belt

Part no.	RIF	Description	Specification English	Q.ty	Maintenance
FS1.2013	1	Roll	ROLL	1	C
FS7.1168	2	Pin	PIN	1	D
N1.6375	3	Washer	SPECIAL WASHER TYPE "PS" 15x21x1	2	
N2.1103	4	Seeger	SEEGER TYPE A DIN 471 UNI 3653-7435 D.15	2	



FS7.0121 Group roller for sensor

Part no.	RIF	Description	Specification English	Q.ty	Maintenance
FS1.2068	1	Roller	CYLINDER	1	E
FS7.1170	2	Block	BLOCK FOR THE SENSOR	1	
N1.6364	3	Washer	WASHER DIN 988 10X16X0.5	2	
N2.1101	4	Seeger	SEEGER TYPE A DIN 471 UNI 3653-7435 D.10	1	



FS7.0130.VO1

FROMMM

FS7.0130GB Group Carriage 2 Motors Pre-stretch

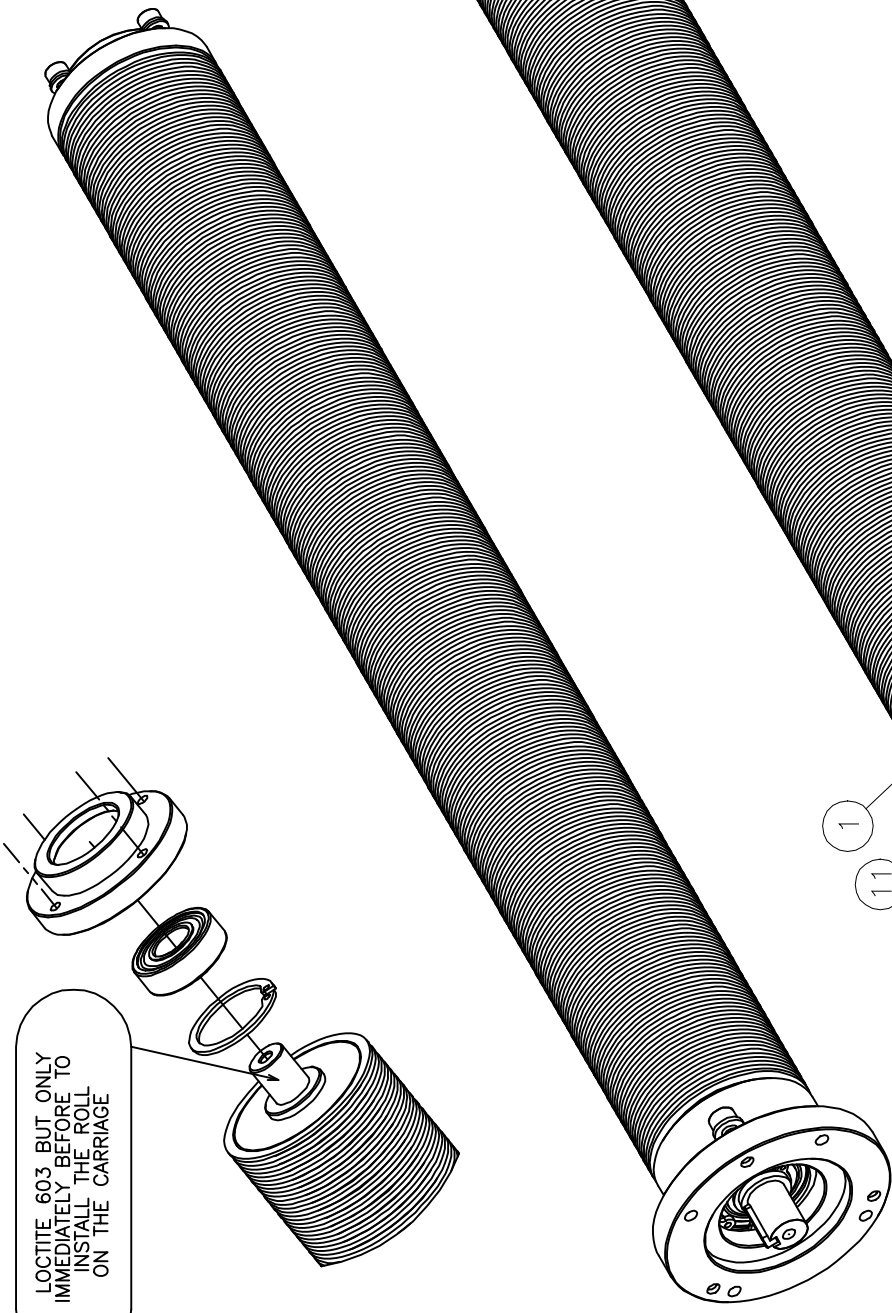
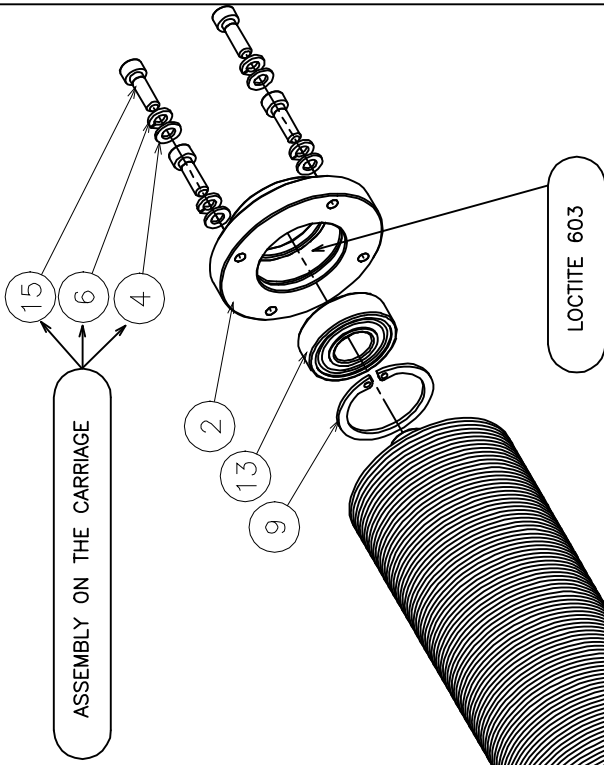
Part no.	RIF	Description	Specification English	Q.ty	Maintenance
FS3.2207	1	Distan.Piece	DISTANCE PIECE	1	
FS3.2341	2	Label	CRUSHING DANGER LABEL	2	A-C
FS3.2343	3	Label	CRUSHING DANGER LABEL	1	A-C
FS7.0109	4	Group	GROUP RUBBER ROLL (NEXT PAGES)	2	E
FS7.0127G	5	Group	GROUP DOOR (NEXT PAGES)	1	E
FS7.0131	6	Group	GROUP OUTPUT FILM 2 MOTORS (NEXT PAGES)	1	E
FS7.0132	7	Group	GROUP INPUT FILM 2 MOTORS (NEXT PAGES)	1	E
FS7.0134	8	Group	GROUP SPOOL-HOLDER (NEXT PAGES)	1	E
FS7.0135	9	Group	GROUP DANCING ROLLER (NEXT PAGES)	1	E
FS7.0136	10	Group	GROUP ELECTRI. BOX ON THE CARRIAGE (NEXT PAGES)	1	E
FS7.0137G	11	Group	GROUP CRUSH-PROOF GUARD CARRIAGE (NEXT PAGES)	1	E
FS7.0138G	12	Group	GROUP COMPLETE LOWER CARTER	1	E
FS7.0145	13	Group	GROUP SHOCK DOOR (NEXT PAGES)	1	E
FS7.0147B	14	Group	GROUP COMPLETE INSIDE CARTER (NEXT PAGES)	1	E
FS7.0154	15	Group	GROUP WHEAT BOLT (NEXT PAGES)	1	E
FS7.0155	16	Group	GROUP WHEAT BOLT (NEXT PAGES)	1	E
FS7.0156G	17	Group	GROUP COMPLETE LATERAL CARTER (NEXT PAGES)	1	E

FS7.0130GB Group Carriage 2 Motors Pre-stretch

Part no.	RIF	Description	Specification English	Q.ty	Maintenance
FS7.0157	18	Group	GROUP MICRO DOOR (NEXT PAGES)	1	E
FS7.0157	19	Group	GROUP MICRO DOOR (NEXT PAGES)	1	E
FS7.0168	20	Group	GROUP LASER PHOTOCELL	1	E
FS7.1653Z	81	Bracket	SUPPORT FOR LASER PHOTOCELL ZINCED	1	
FS7.1654Z	82	Bracket	SUPPORT FOR LASER PHOTOCELL ZINCED	1	
N1.6160	54	Washer	PLAIN WASHER M4 4,3X14X0,8 DIN 125A GALVANIZED	4	
N1.6219	60	Washer	SPRING LOCK WASHER M4 DIN 127 -B- ZINCED	6	
N11.1115	85	Screw	CYLINDRICAL HEAD SCREW CL.8.8 DIN 912 M4x8 GAL.	4	
N12.1113	86	Screw	CYLINDRICAL HEAD CAP SCREW DIN 912 M4x25 GAL.	2	
N51.2608	87	Photocell	LASER PHOTOCELL	1	A-C
FS7.1098	21	Pin	PIN	1	
FS7.1125Z	22	Rev counter	REV COUNTER ZINCED	1	E
FS7.1126Z	23	Plate	PLATE ZINCED	1	
FS7.1151Z	24	Plate	PLATE FOR FREE ROLL ZINCED	4	
FS7.1233B	25	Structure	STRUCTURE CARRIAGE BLUE RAL 5010	1	
FS7.1238Z	26	Spool-holder	WELDED BRACKET SPOOL-HOLDER PLUS SHAFT ZN	1	E
FS7.1249	27	Plate	PLATEPLATE BLOCK DOOR	2	
FS7.1251Z	28	Support	PHOTOCELL SUPPORT ZINCED	1	
FS7.1264G	29	Carter	TOP CARTER YELLOW RAL 1021	1	A
FS7.1267Z	30	Bracket	BRACKET TO FIX THE CARTER ZINCED	2	
FS7.1268Z	31	Bracket	BRACKET TO FIX THE CARTER ZINCED	1	
FS7.1288	32	Polyzene	POLYZENE FOR DNACING ROLLER	1	
FS7.1290	33	Pin	PIN	1	E-C
FS7.1301	34	Tube	TUBE	1	
FS7.1302G	35	Carter	CARTER YELLOW RAL 1021	1	A
FS7.1306	36	Distan.Piece	DISTANCE PIECE D.EST.15 D.INT. 10.2 SP.16	2	
FS7.1388	37	Label	COIL LABEL		
FS7.1389	38	Label	DOOR LABEL		
FS7.1652	39	Label	SPOOL-HODER LABEL		
N1.1162	40	Screw	CYLINDRICAL HEAD SCREW M3x12 DIN 912 ZINCED	2	
N1.1213	41	Screw	BUTTON HEAD SCREW ISO 7380 - M4 x 8	3	
N1.1219	42	Screw	BUTTON HEAD SCREW ISO 7380 - M6 x 12	1	
N1.1232	43	Screw	BUTTON HEAD SCREW ISO 7380 - M4 x 16	4	
N1.1402	44	Screw	HEXAGONAL HEAD SCREW M6x14 ZINCED DIN 933	5	A
N1.1922	45	Screw	PHILIPS HEAD SCREW M3x10 DIN 7985 ZINCED	2	
N1.2102	46	Screw	SOCKET CTRS. HD SCREW M6x20 DIN 7991	4	B
N1.2108	47	Screw	SOCKET CTRS. HD SCREW M6x16 DIN 7991	4	B
N1.2163	48	Screw	SOCKET CTRS. HD SCREW M5x12 DIN 7991	2	
N1.2177	49	Screw	SOCKET CTRS. HD SCREW M6x10 DIN 7991	1	

FS7.0130GB Group Carriage 2 Motors Pre-stretch

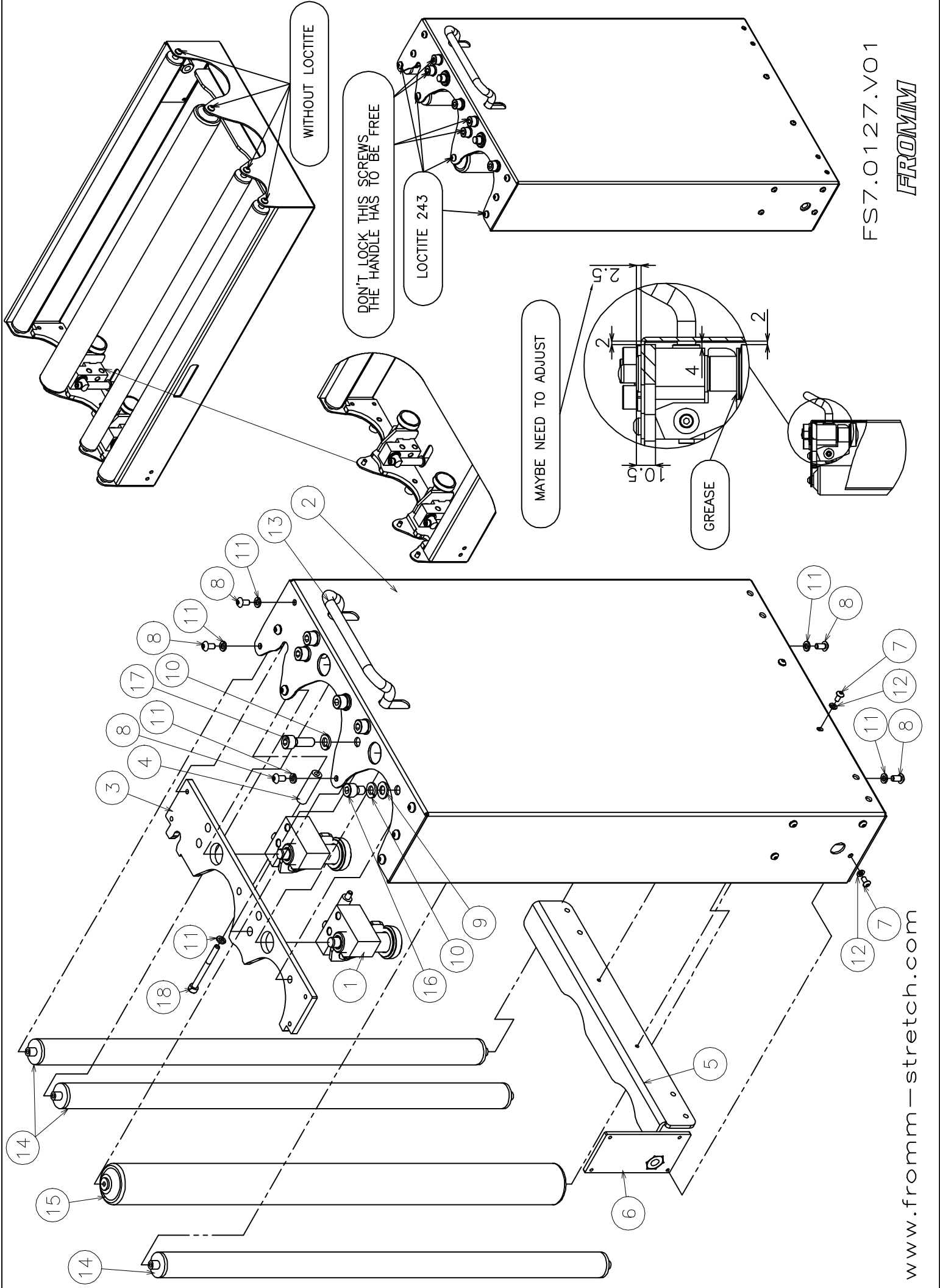
Part no.	RIF	Description	Specification English	Q.ty	Maintenance
N1.5102	50	Nut	NUT CL.8 PG M6 DIN 934	1	
N1.5124	51	Nut	NUT CL.8 PG M4 DIN 934	1	
N1.5301	52	Nut	PREV. HEXAGON TORQUE M6 DIN 985 SHORT GALVA.	4	
N1.6114	53	Washer	PLAIN WASHER M4 DIN 125A ZINCED	2	
N1.6160	54	Washer	PLAIN WASHER M4 4,3X14X0,8 DIN 125A GALVANIZED	2	
N1.6167	55	Washer	PLAIN WASHER M5 D.5,3x10 DIN 125A GALVANIZED	4	
N1.6185	56	Washer	WASHER 5,3X16X2,8 GALVANIZED	2	
N1.6190	57	Washer	WASHER M3 DIN125 Di=3,2 De=7 sp=0,5	2	
N1.6204	58	Washer	SPRING LOCK WASHER M6 DIN 127 -B- ZINCED	8	
N1.6217	59	Washer	SPRING LOCK WASHER M5 DIN 127 -B- ZINCED	13	
N1.6219	60	Washer	SPRING LOCK WASHER M4 DIN 127 -B- ZINCED	19	
N1.6314	61	Washer	WASHER TYPE SS 10X16X1,2 DIN988	2	
N1.7105	62	Screw	CYLINDRICAL HEAD SCREW 12X25 M10 CL.12.9 BLACK	1	
N1.7333	63	Screw	HEAD PIN SCREW M4x10 ZINCED UNI 8112	6	
N1.7335	64	Screw	HEAD PIN SCREW M4x20 ZINCED UNI 8113	2	
N1.7339	65	Screw	HEAD PIN SCREW M5x16 ZINCED UNI 8112	6	
N2.6113	66	Hinge	HINGE	1	E
N2.6113	67	Hinge	HINGE	1	E
N4.2210	68	Roll	ROLL L=566	2	A
N5.1306	69	Magnet	MAGNET	2	
N5.3838	70	Distan.Piece	DISTANCE PIECE M6 L=20MM	1	
N5.6701	71	Clamp	CLAMP 12 POLIS	1	
N11.1101	72	Screw	CYLINDRICAL HEAD SCREW CL.8.8 DIN 912 M5x12 GAL.	8	
N11.1116	73	Screw	CYLINDRICAL HEAD SCREW CL.8.8 DIN 912 M4x12 GAL.	1	
N11.1118	74	Screw	CYLINDRICAL HEAD SCREW CL.8.8 DIN 912 M4x6 GAL.	1	
N11.1142	75	Screw	CYLINDRICAL HEAD SCREW CL.8.8 DIN 912 M6x16 GAL.	2	A
N11.1147	76	Screw	CYLINDRICAL HEAD SCREW CL.8.8 DIN 912 M5x16 GAL.	4	A
N11.1162	77	Screw	CYLINDRICAL HEAD SCREW CL.8.8 DIN 912 M4x10 GAL.	8	
N11.6110	78	Washer	WASHER	1	
N52.2149	79	Connector	CONNECTOR MALE 90°	4	



LOCTITE 603 BUT ONLY IMMEDIATELY BEFORE TO INSTALL THE ROLL ON THE CARRIAGE

FS7.0109 Group rubber roll

Part no.	RIF	Description	Specification English	Q.ty	Maintenance
FS1.2170	1	Roll	RUBBER ROLL	1	A-C
FS3.2209	2	Flange	FLANGE	1	
FS7.1108	3	Flange	UPPER FLANGE	1	
N1.6167	4	Washer	PLAIN WASHER M5 GALVANIZED DIN 125A	4	
N1.6204	5	Washer	SPRING LOCK WASHER M6 DIN 127 -B- ZINCED	3	
N1.6217	6	Washer	SPRING LOCK WASHER DIN 127 -B- M5	4	
N1.6327	7	Washer	WASHER TYPE "PS" 20x28x0.5 DIN 988	1	
N2.1108	8	Seeger	SEEGER D.20 TYPE A DIN 471	1	
N2.1206	9	Seeger	SEEGER FOR HOLES D.35 TYPE J	1	
N2.1222	10	Seeger	SEEGER D.42 TYPE "J" UNI 3654/7437	1	
N2.3305	11	Key	KEY 5x5x20 DIN 6885	1	
N3.1151	12	Ball bearings	BALL BEARING 6004 2RS 20x42x12	1	A-D
N3.1182	13	Ball bearings	BALL BEARING 15x35x11 6202.2RS	1	A-D
N11.1142	14	Screw	CYLINDRICAL HEAD CAP SCREWS DIN 912 M6x16 ZN	3	
N11.1147	15	Screw	CYLINDRICAL HEAD CAP SCREWS DIN 912 M5x16 ZN	4	



FS7.O127.VO1

FROMM

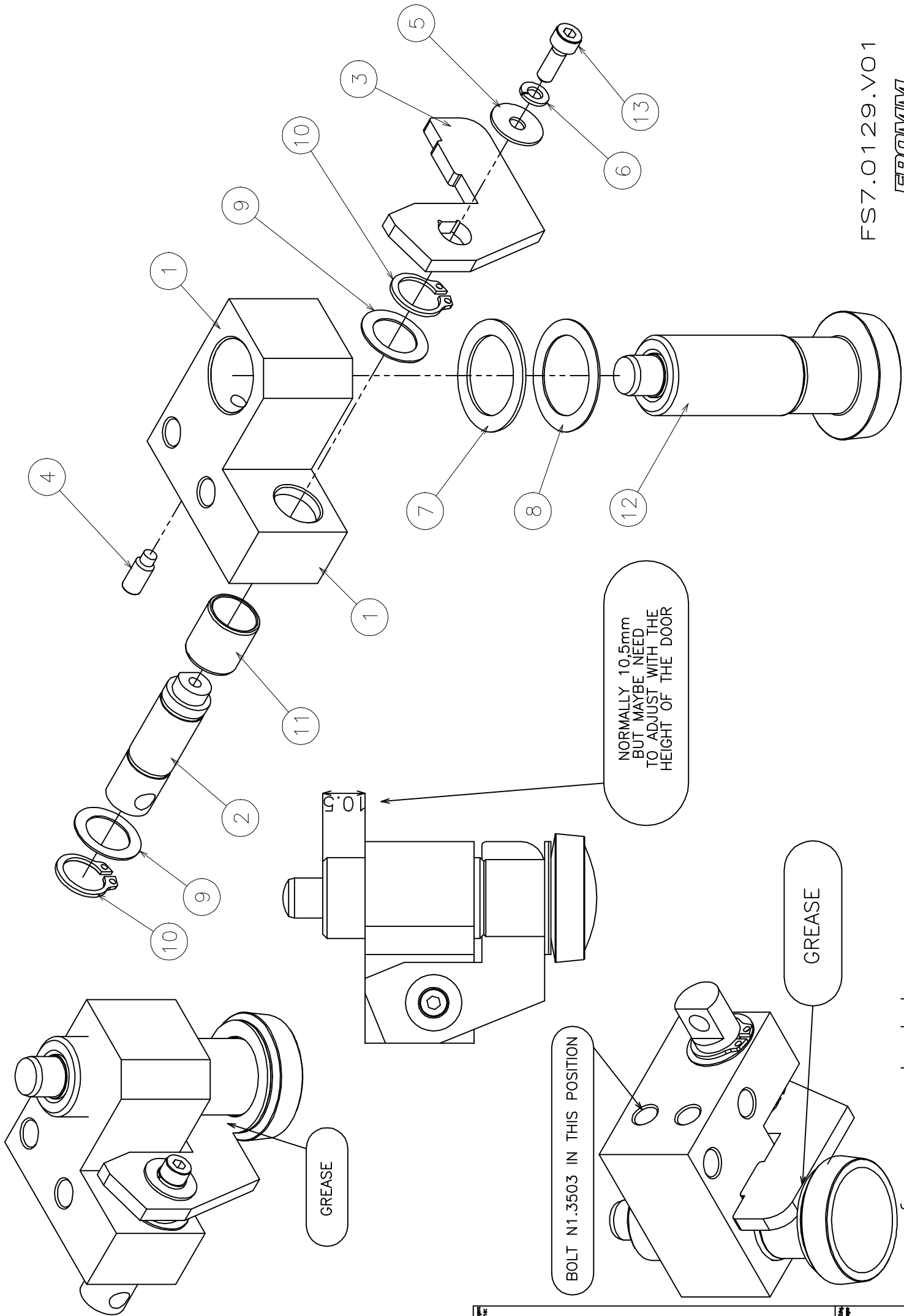
www.fromm-stretch.com

www.fromm-stretch.com

www.fromm-stretch.com

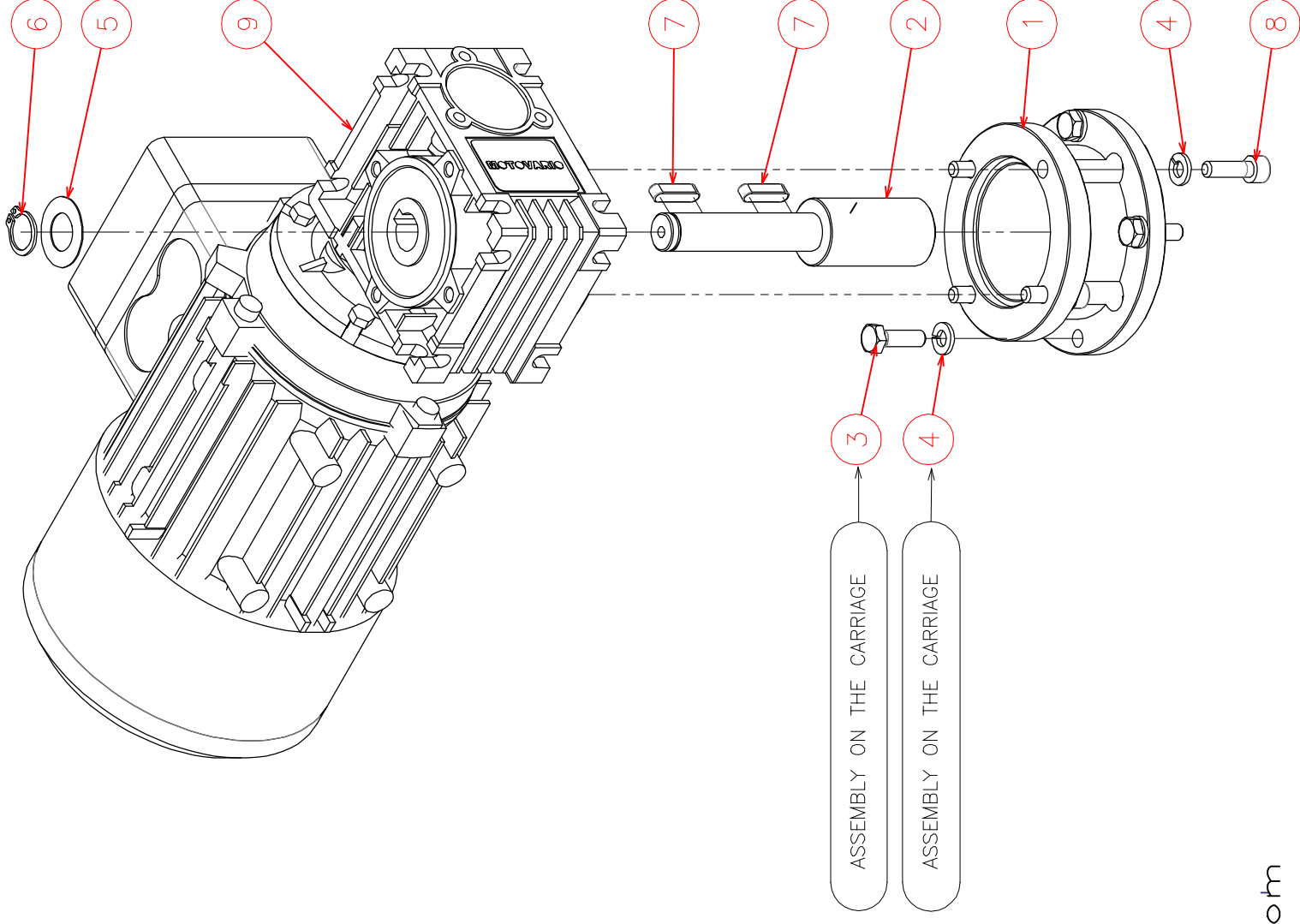
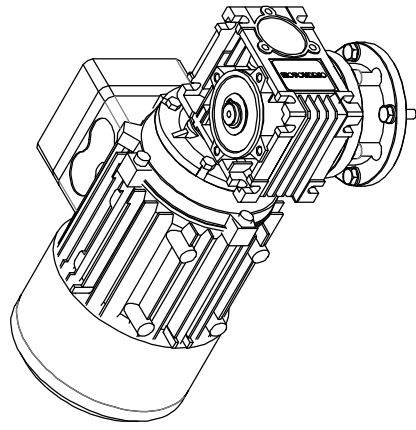
FS7.0127G Group door

Part no.	RIF	Description	Specification English	Q.ty	Maintenance
FS7.0129	1	Group	GROUP TO BLOCK THE DOOR	2	E
FS7.1220G	2	Door	DOOR YELLOW RAL 1021	1	A
FS7.1221Z	3	Plate	PLATE FOR REINFORCEMENT THE DOOR ZINCED	1	
FS7.1227	4	Distan.Piece	DISTANCE PIECE	2	
FS7.1255Z	5	Bracket	REINFORCEMENT FOR THE DOOR ZINCED	1	
FS7.1257Z	6	Plate	PLATE FOR THE DOOR ZINCED	1	E
N1.1213	7	Screw	BUTTON HEAD SCREW ISO 7380 - M4 x 8	6	B
N1.1224	8	Screw	BUTTON HEAD SCREW ISO 7380 - M5 x 10	12	B
N1.6117	9	Washer	PLAIN WASHER DIN 125/A M8 D.8,4X17X1,6 GALVANI.	2	
N1.6215	10	Washer	SPRING LOCK WASHER M8 DIN 127 -B- ZINCED	6	
N1.6217	11	Washer	SPRING LOCK WASHER M5 DIN 127 -B- ZINCED	14	
N1.6219	12	Washer	SPRING LOCK WASHER M4 DIN 127 -B- ZINCED	6	
N4.1917	13	Handle	HANDLE	1	A
N4.2217	14	Roll	FREE ROLL D.25MM	3	A
N4.2218	15	Roll	FREE ROLL D.40MM	1	A
N11.1124	16	Screw	CYLINDRICAL HEAD SCREW M8x12 DIN 912 ZINCED	2	B
N11.1173	17	Screw	CYLINDRICAL HEAD SCREW M8x25 DIN 912 ZINCED	4	B
N12.1167	18	Screw	CYLINDRICAL HEAD SCREW M5x55 DIN 912 ZINCED	2	B



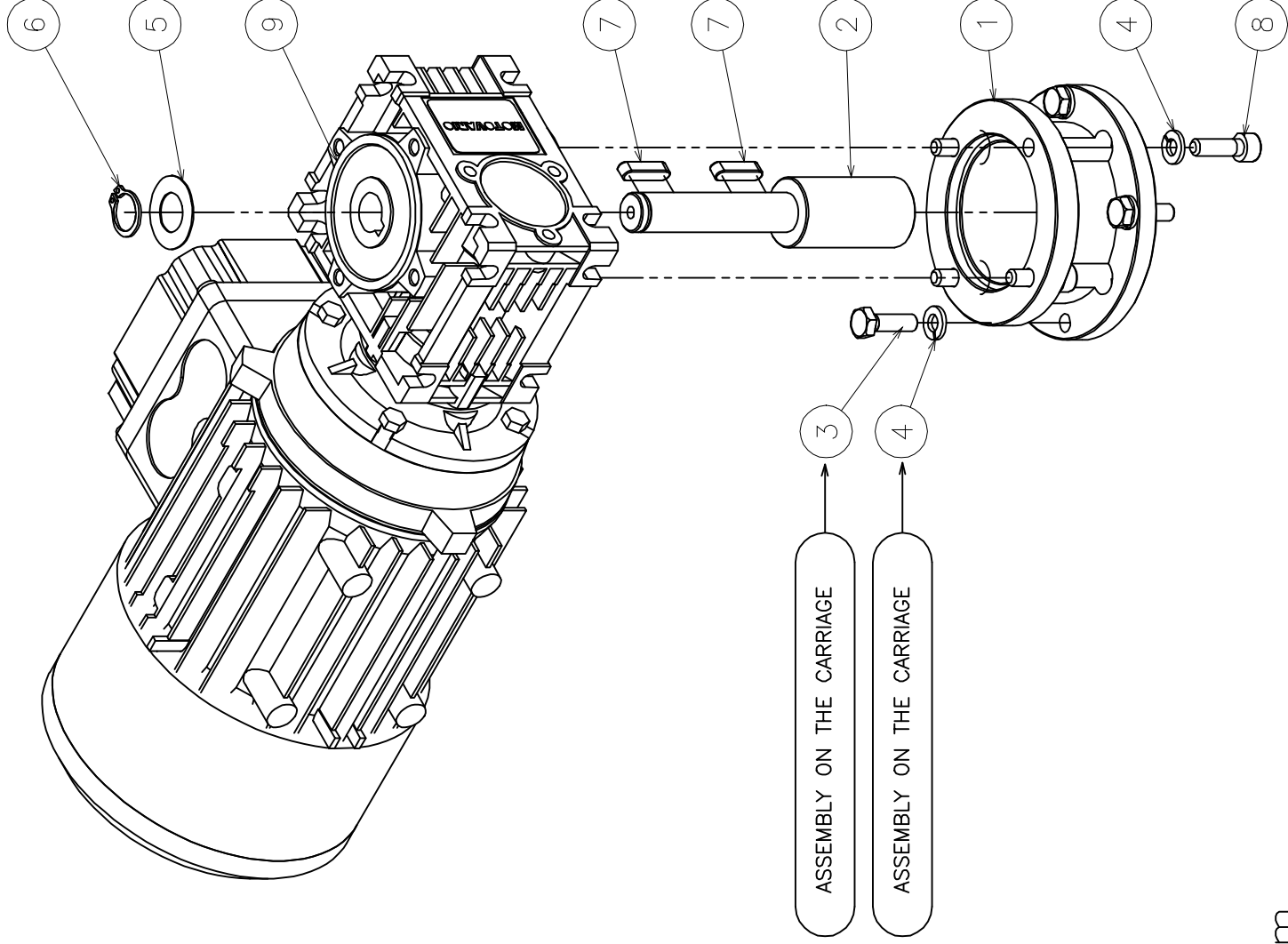
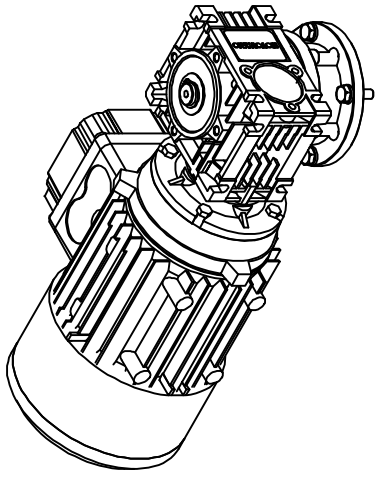
FS7.0129 Group to block the door

Part no.	RIF	Description	Specification English	Q.ty	Maintenance
FS7.1224	1	Block	BLOCK	1	
FS7.1225	2	Pin	PIN	1	D-E
FS7.1226Z	3	Plate	PLATE ZINCED	1	
N1.3503	4	Wheat	WHEAT 45H M5x12	1	
N1.6160	5	Washer	PLAIN WASHER M4 4,3X14X0,8 DIN 125A GALVANIZED	1	
N1.6219	6	Washer	SPRING LOCK WASHER M4 DIN 127 -B- ZINCED	1	
N1.6321	7	Washer	WASHER	1	
N1.6327	8	Washer	WASHER TYPE "PS" 20x28x0.5 DIN 988	1	
N1.6383	9	Washer	WASHER 12x18x0,5 DIN988	2	
N2.1109	10	Seeger	ELASTIC RING TYPE A D.12 DIN 471	2	
N3.3119	11	Bush	BUSH GLYCODUR 12X14X15	1	
N7.4311	12	Piston spring	PISTON SPRING	1	E
N11.1116	13	Screw	CYLINDRICAL HEAD SCREW CL.8.8 DIN 912 M4x12 GAL.	1	



FS7.0131 Group output film 2 motors

Part no.	RIF	Description	Specification English	Q.ty	Maintenance
FS7.1109	1	Flange	FLANGE	1	
FS7.1235	2	Shaft	ALBERO	1	C
N1.1565	3	Screw	HEXAGONAL HEAD SCREW M6x20 ZINCED DIN 933	4	B
N1.6204	4	Washer	SPRING LOCK WASHER M6 DIN 127 -B- ZINCED	8	
N1.6310	5	Washer	WASHER D.14x26x0,5 DIN 988	1	
N2.1117	6	Seeger	SEEGER FOR SHAFT D.14 TYPE A DIN 471	1	
N2.3305	7	Key	KEY 5x5x20 DIN 6885	2	
N11.1143	8	Screw	CYLINDRICAL HEAD CAP SCREWS DIN 912 M6x20 ZN	4	
N51.1138	9	Motor/gear	MOTOR+GEAR	1	B-C-D-E
N51.1147	10	Motor	MOTOR 0.37KW	1	B-C-E
N4.7666	11	Gear	GEAR SIZE 30 - RATIO 1/7,5	1	B-C-D



www.stretch.com

© 2014 Fromm

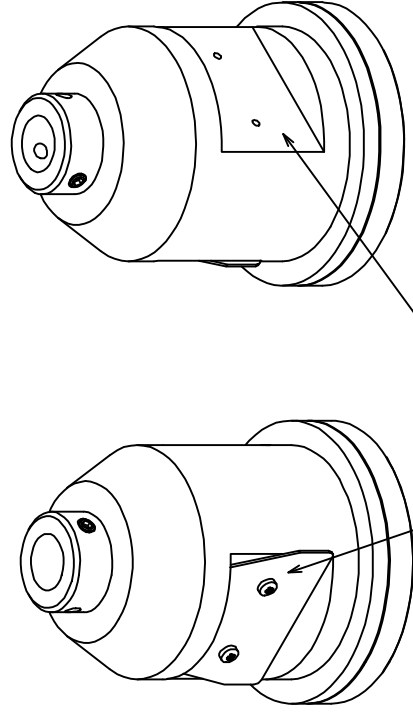
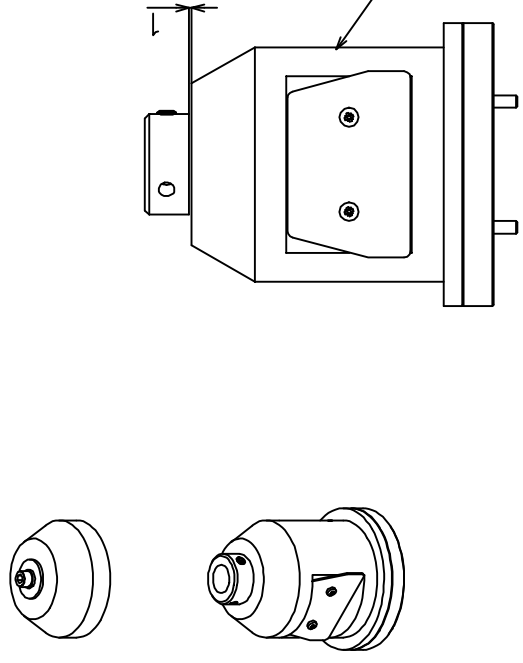
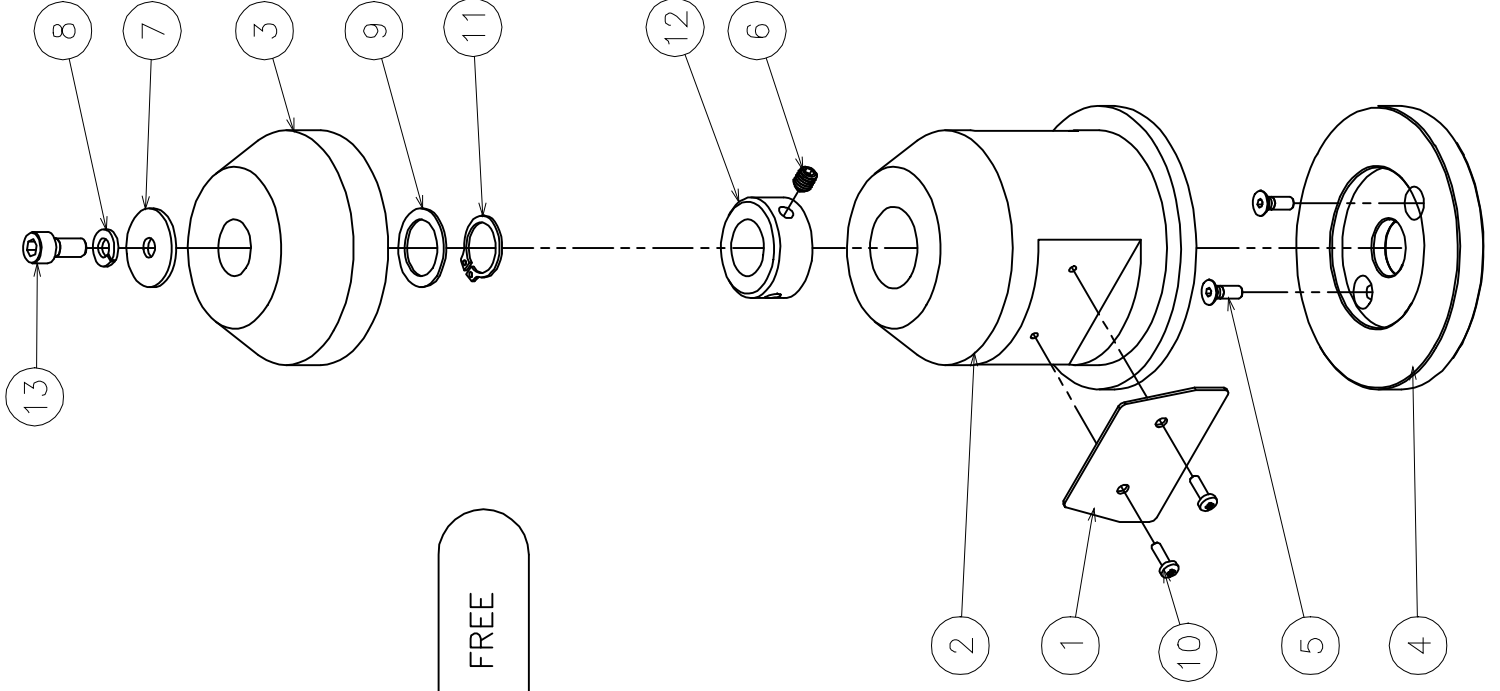
FS7.0132.V01

www.fromm-stretch.com

FROMM

FS7.0132 Group input film 2 motors

Part no.	RIF	Description	Specification English	Q.ty	Maintenance
FS7.1109	1	Flange	FLANGE	1	
FS7.1235	2	Shaft	ALBERO	1	C
N1.1565	3	Screw	HEXAGONAL HEAD SCREW M6x20 ZINCED DIN 933	4	B
N1.6204	4	Washer	SPRING LOCK WASHER M6 DIN 127 -B- ZINCED	8	
N1.6310	5	Washer	WASHER D.14x26x0,5 DIN 988	1	
N2.1117	6	Seeger	SEEGER FOR SHAFT D.14 TYPE A DIN 471	1	
N2.3305	7	Key	KEY 5x5x20 DIN 6885	2	
N11.1143	8	Screw	CYLINDRICAL HEAD CAP SCREWS DIN 912 M6x20 ZN	4	
N51.1139	9	Motor/gear	MOTOR+GEAR	1	B-C-D-E
N51.1147	10	Motor	MOTOR 0.37KW	1	B-C-E
N4.7665	11	Gear	GEAR SIZE 30 - RATIO 1/15	1	B-C-D



FS7.0134.V01

FROMM

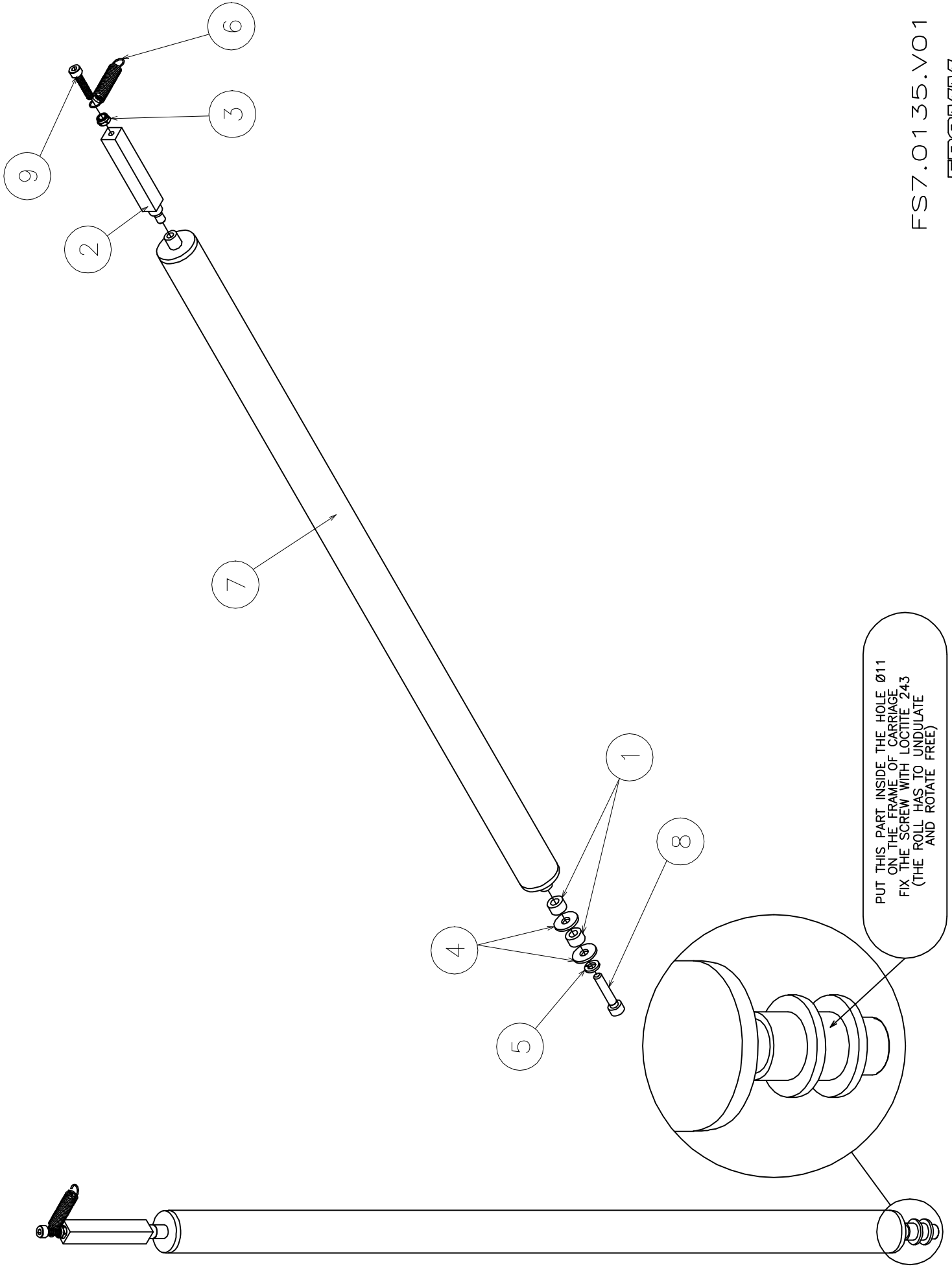
www.fromm-stretch.com

© 2014 Fromm

© 2014 Fromm

FS7.0134 Group spool-holder

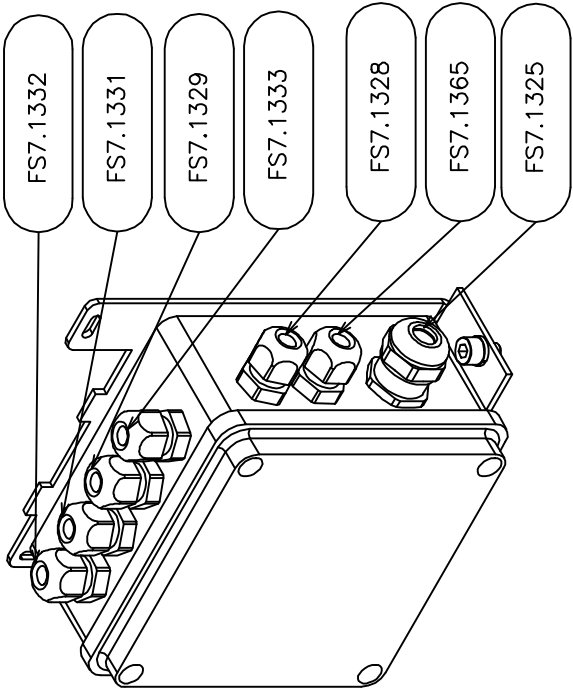
Part no.	RIF	Description	Specification English	Q.ty	Maintenance
FS3.2039	1	Bracket	HARMONIC STEEL PLATE SPOOL HOLDER LOCKER	1	A-C
FS3.2184	2	Holder	SPOOL HOLDER	1	A-C
FS3.2231	3	Holder	SPOOL HOLDER CENTRAL	1	A-C
FS3.2776	4	Disk	DISK TO CENTRE THE SPOOL HOLDER FLANGE	1	A-C
N1.2180	5	Screw	SOCKET CTRS. HD BOLT DIN 7991-A- M4x12 ZN	2	B
N1.3211	6	Bolt	BOLT M6x8 DIN 913 GALVANIZED	1	B
N1.6175	7	Washer	WASHER D.6x20x1.5 ZINCED	1	
N1.6204	8	Washer	SPRING LOCK WASHER DIN 127 -B- M6	1	
N1.6325	9	Washer	WASHER TYPE "PS" 18x25x1 DIN 988	1	
N1.7336	10	Screw	PHILIPS HEAD SCREW 3.5x10 ZINCED UNI 9707	2	B
N2.1112	11	Seeger	SEEGER D.17 TYPE A DIN 471	1	
N7.2206	12	Metal ring	BLOCKING RING DIN 705 SHAPE C D. 18	1	E
N11.1136	13	Screw	CYLINDRICAL HEAD CAP SCREWS DIN 912 M6x14 ZN	1	



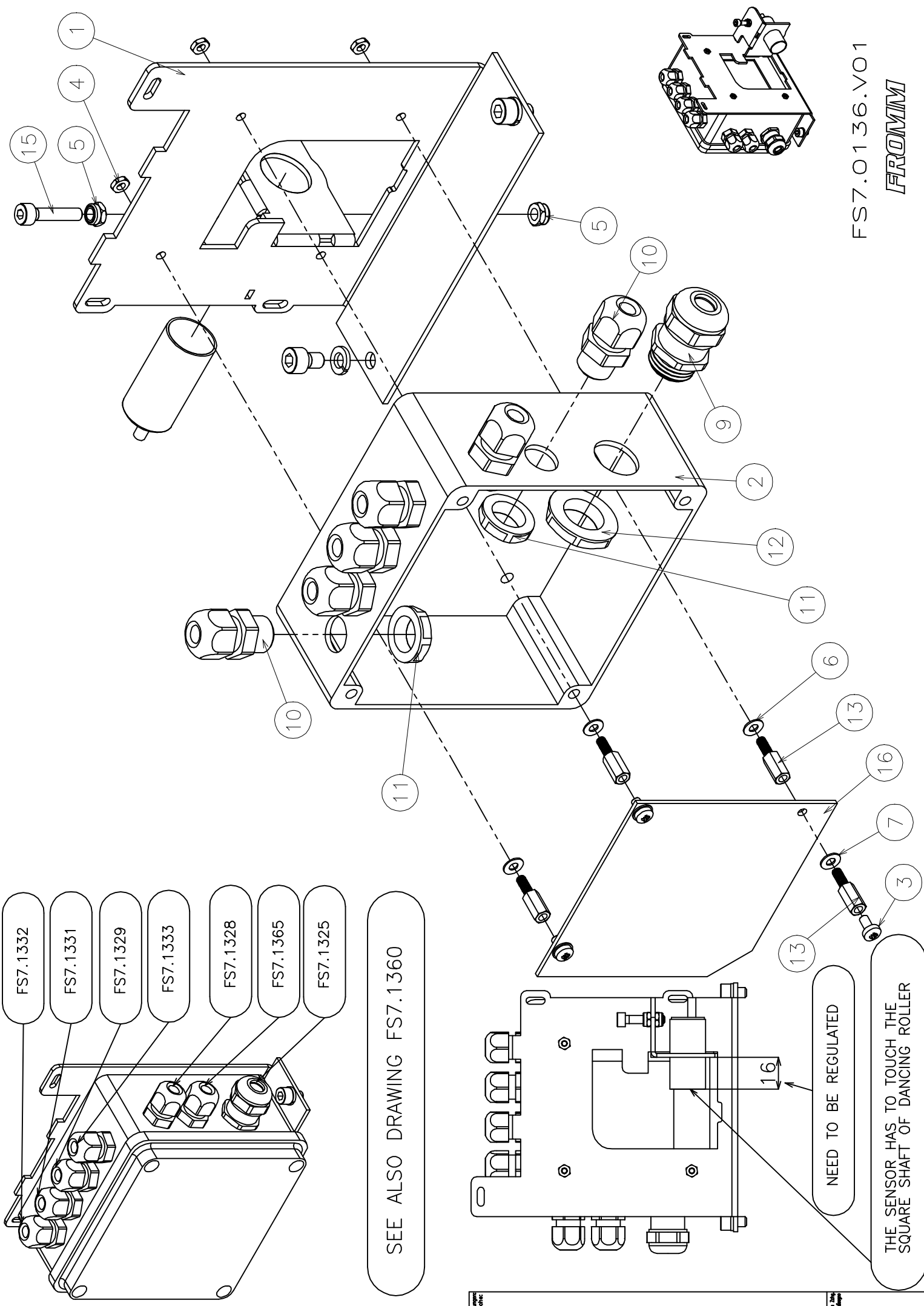
PUT THIS PART INSIDE THE HOLE Ø11
 ON THE FRAME OF CARRIAGE
 FIX THE SCREW WITH LOCTITE 243
 (THE ROLL HAS TO UNDULATE
 AND ROTATE FREE)

FS7.0135 Group dancing roller

Part no.	RIF	Description	Specification English	Q.ty	Maintenance
FS7.1243	1	Distan.Piece	DISTANCE PIECE	2	
FS7.1287	2	Block	BLOCK	1	
N1.5307	3	Nut	PREV. HEXAGON TORQUE M6 DIN 985 SHORT ZINCED	1	
N1.6125	4	Washer	PLAIN WASHER UNI 6593 D. 5,3X15X1,2 DIN 9021 ZIN.	2	
N1.6217	5	Washer	SPRING LOCK WASHER M5 DIN 127 -B- ZINCED	1	
N2.5334	6	Spring	SPRING D.1X7,5X33X24	1	E
N4.2217	7	Roll	FREE ROLL D.25MM	1	A
N11.1120	8	Screw	CYLINDRICAL HEAD SCREW M5x25 DIN 912 ZINCED	1	B
N11.1145	9	Screw	CYLINDRICAL HEAD SCREW M4x20 DIN 912 ZINCED	1	B



SEE ALSO DRAWING FS7.1360



NEED TO BE REGULATED

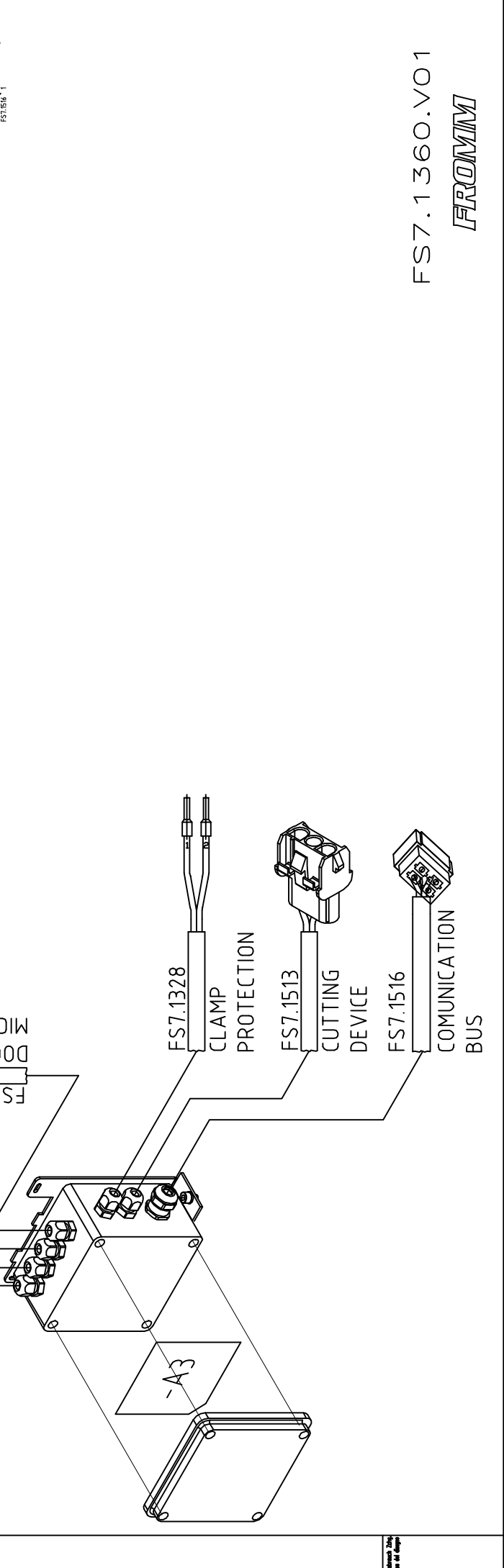
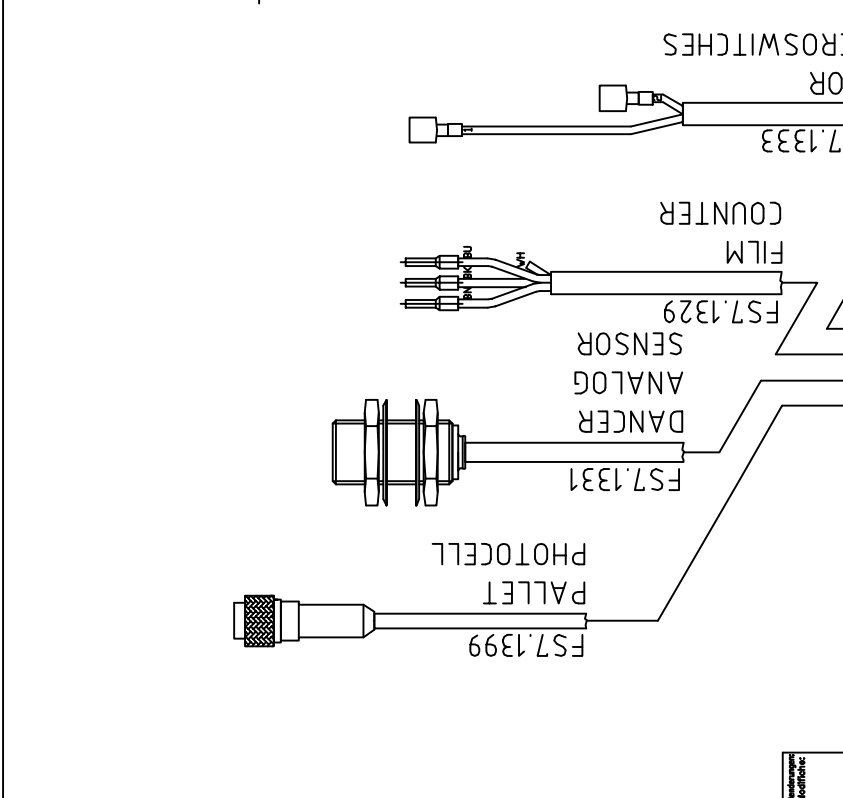
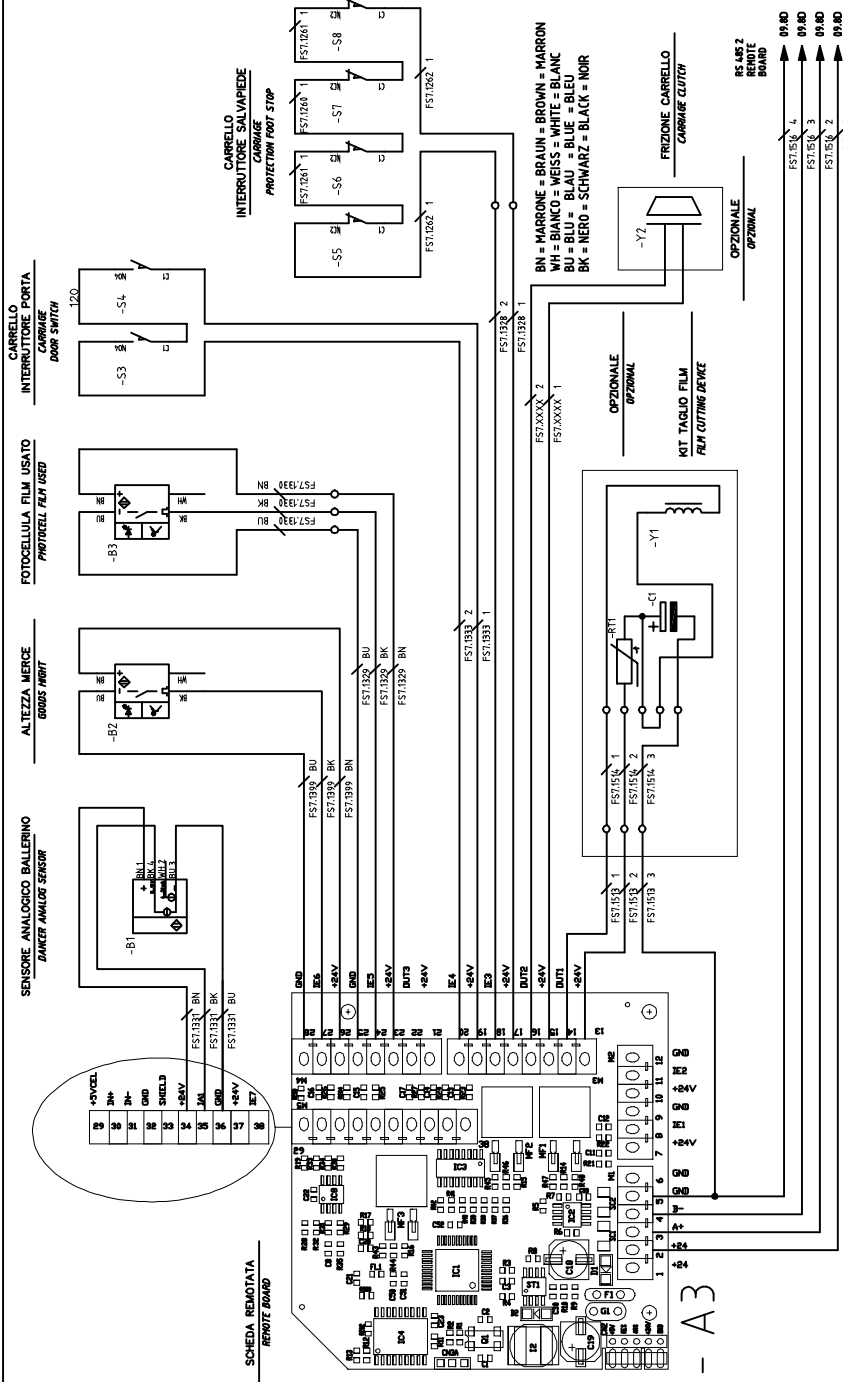
THE SENSOR HAS TO TOUCH THE SQUARE SHAFT OF DANCING ROLLER

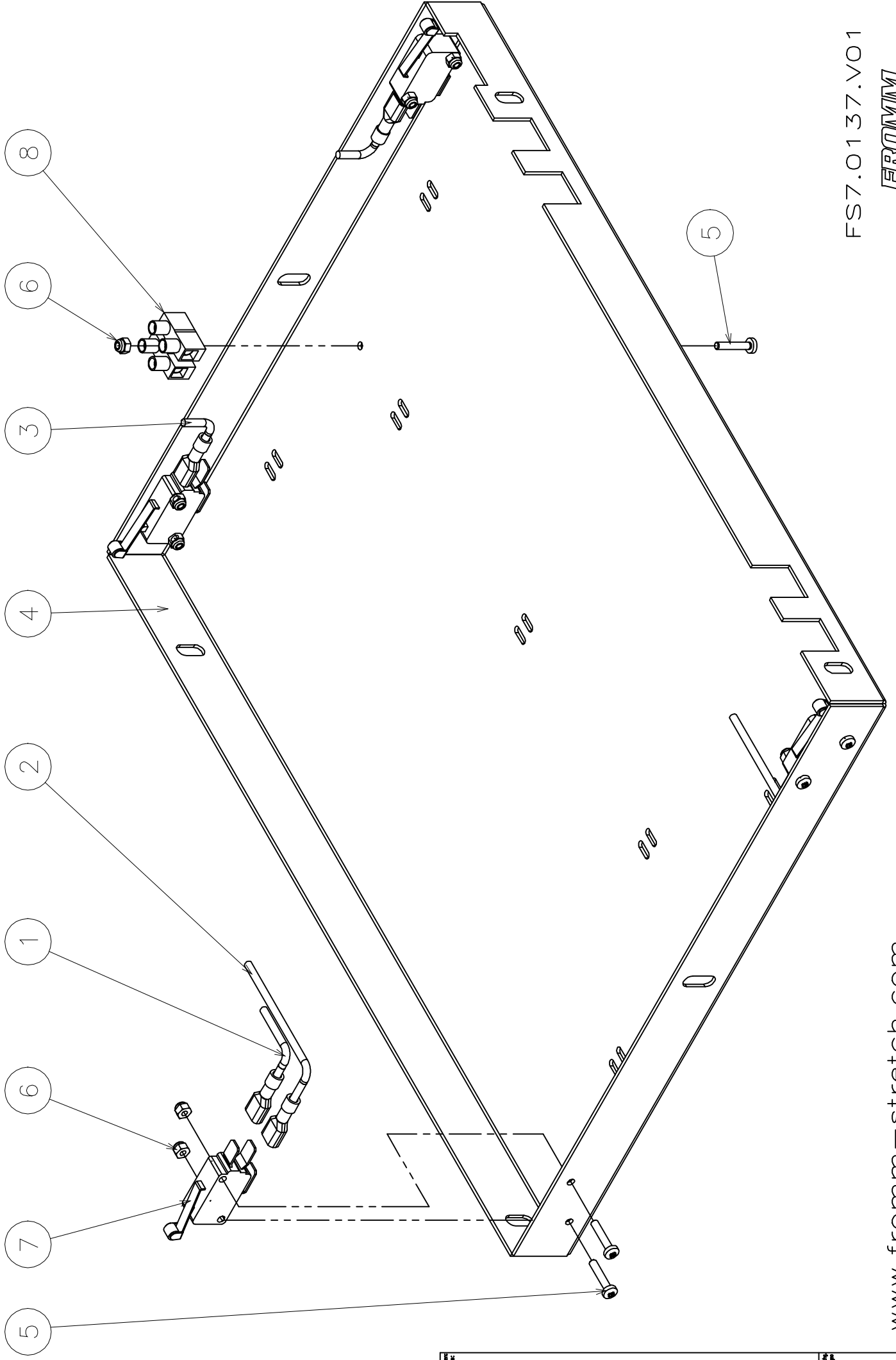
FS7.0136.V01

FROMM

FS7.0136 Group electrical box on the carriage

Part no.	RIF	Description	Specification English	Q.ty	Maintenance
FS7.1252Z	1	Bracket	BRACKET ZINCED	1	
FS7.1308	2	Box	BOX	1	A
N1.1957	3	Screw	PHILIPS HEAD SCREW M3x6 DIN 7985 ZINCED	3	B
N1.5120	4	Nut	NUT CL.8 PG M3 DIN 934	3	
N1.5307	5	Nut	PREV. HEXAGON TORQUE M4 DIN 985 SHORT GALVA.	2	
N1.6154	6	Washer	PLAIN WASHER DIN 9021 M3 3,2 X 9 X 0,8 ZINCATA	3	
N1.6190	7	Washer	WASHER M3 DIN125 Di=3,2 De=7 sp=0,5	3	
N1.6217	8	Washer	SPRING LOCK WASHER DIN 127 -B- M5	2	
N5.3340	9	Cable gland	CABLE GLAND M16	1	
N5.3351	10	Cable gland	CABLE GLAND M12	6	
N5.3353	11	Cablegland	LOCK NUT M12 GREY COLOR	6	
N5.3354	12	Cablegland	LOCK NUT M16 GREY COLOR	1	
N5.3831	13	Distan.Piece	DISTANCE PIECE M3x10	4	
N11.1134	14	Screw	CYLINDRICAL HEAD CAP SCREWS DIN 912 M5x8 ZN	2	
N11.1145	15	Screw	CYLINDRICAL HEAD CAP SCREWS DIN 912 M4x20 ZN	1	B
N52.7102	16	Board	REMOTE BOARD	1	E





FS7.0137.V01

FROMM

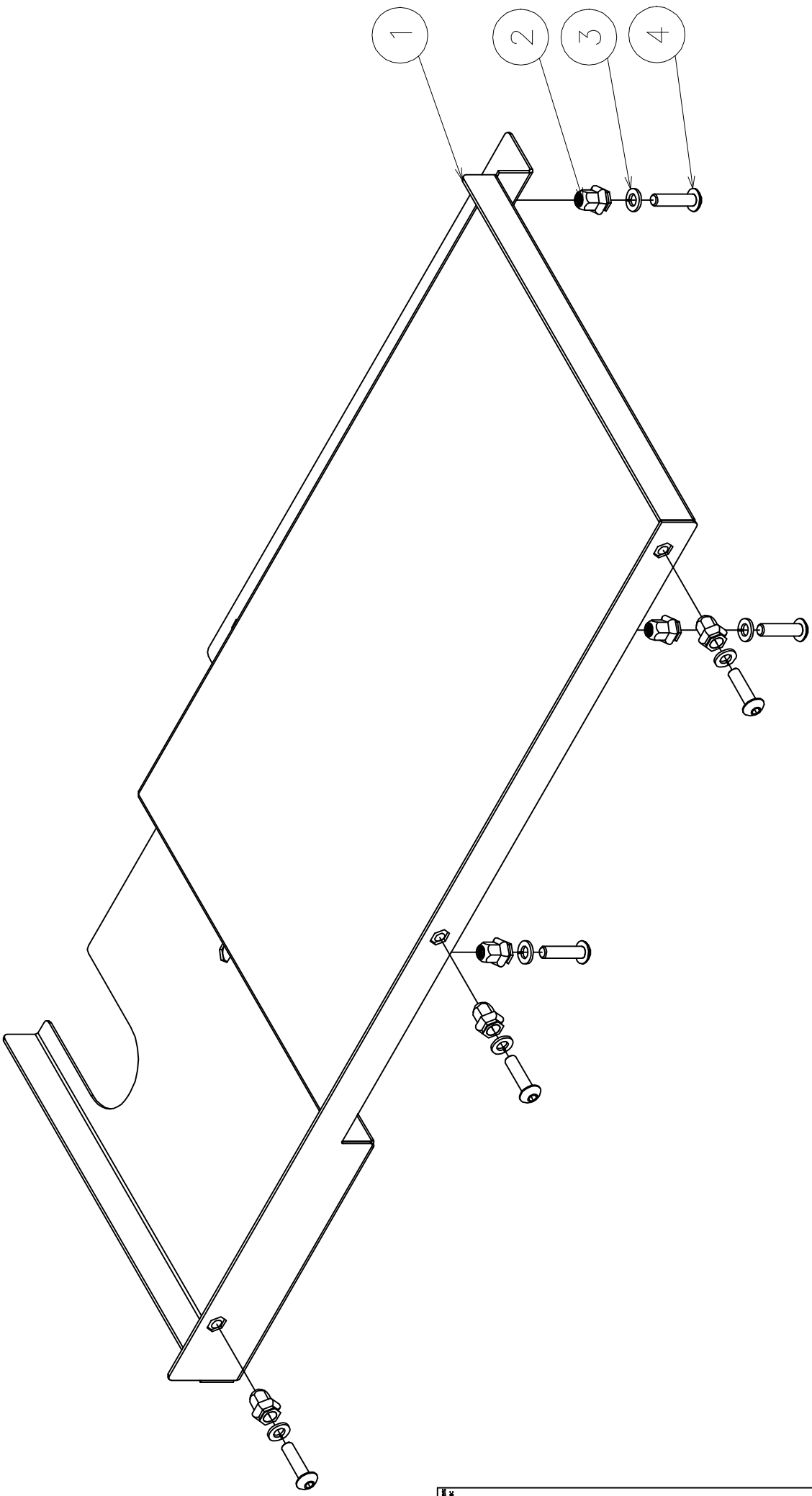
www.fromm-stretch.com

© 2014 FROMM

© 2014 FROMM

FS7.0137G Group crush-proof guard carriage

Part no.	RIF	Description	Specification English	Q.ty	Maintenance
FS3.2588	1	Cable	CABLE	1	
FS3.2589	2	Cable	CABLE	2	
FS3.2590	3	Cable	CABLE	2	
FS7.1259G	4	Sheet metal	SHEET METAL CRUSH-PROOF GUARD YEL. RAL1021	1	
N1.1914	5	Screw	PHILIPS HEAD SCREW M3x16 DIN 7985A ZINCED	9	
N1.5313	6	Nut	NUT M3 ZN DIN 985	9	
N5.2375	7	Microswitch	MICROSWITCH OMRON D3V-166-M1C5	4	C-E
N5.6701	8	Clamp	CLAMP 12 POLES	1	



FS7.01 38.V01

FROMM

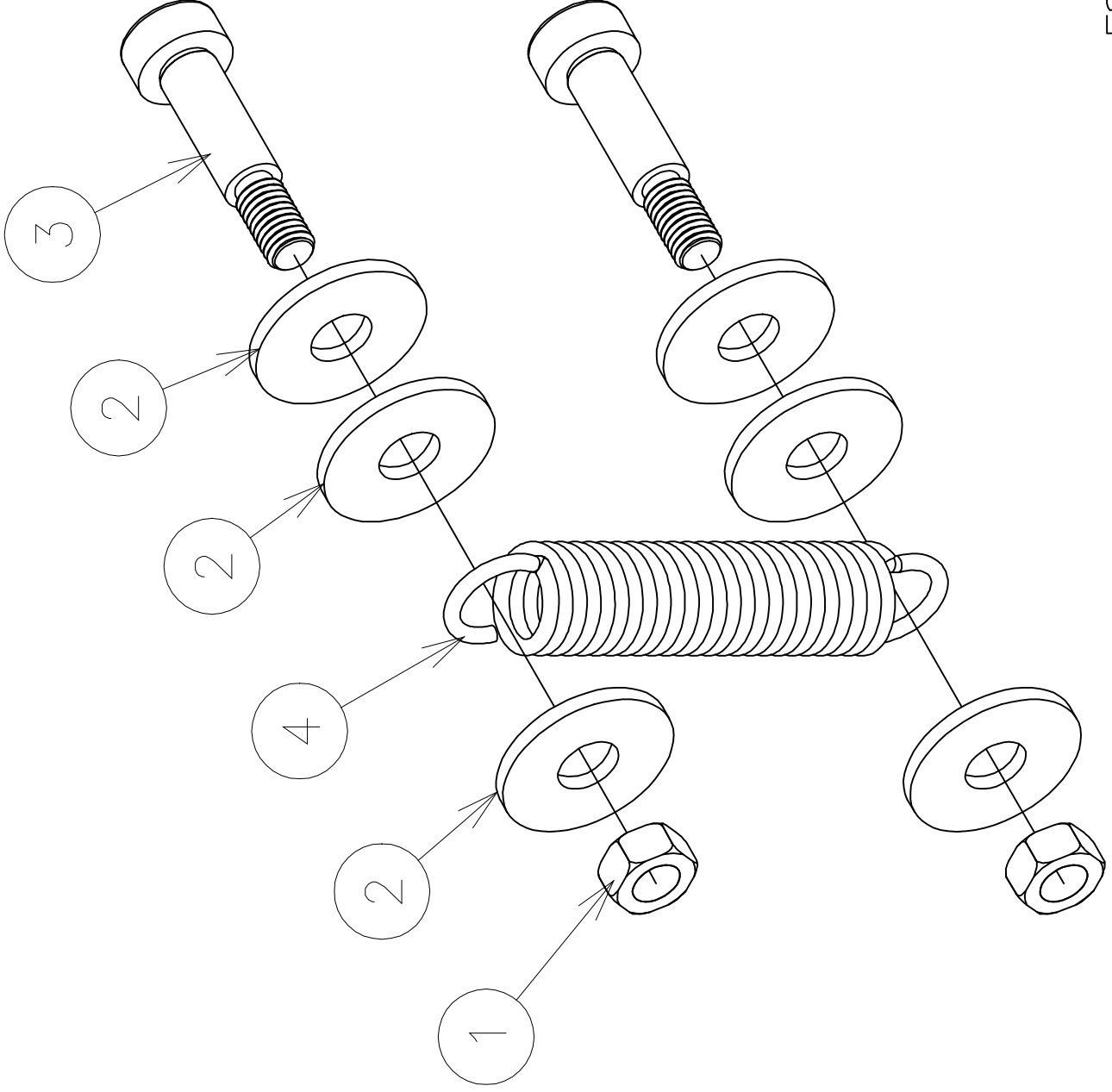
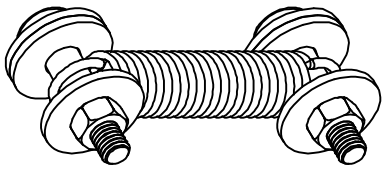
www.fromm-stretch.com

© 2014 FROMM

© 2014 FROMM

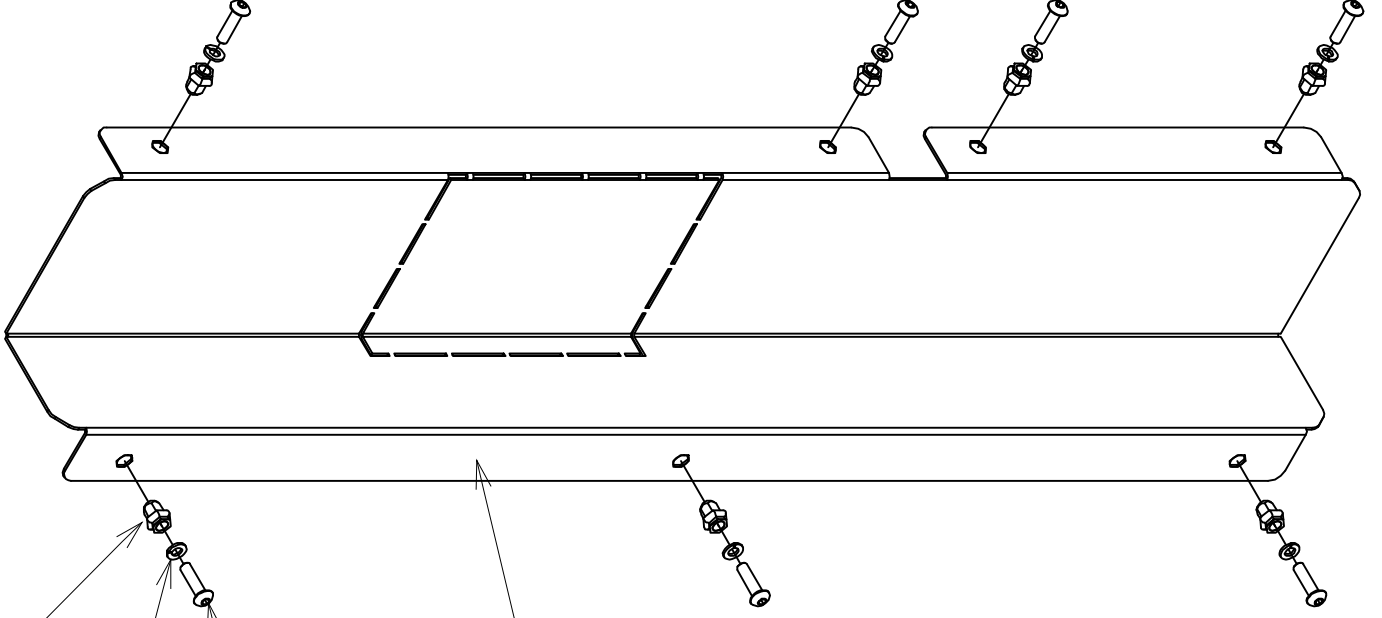
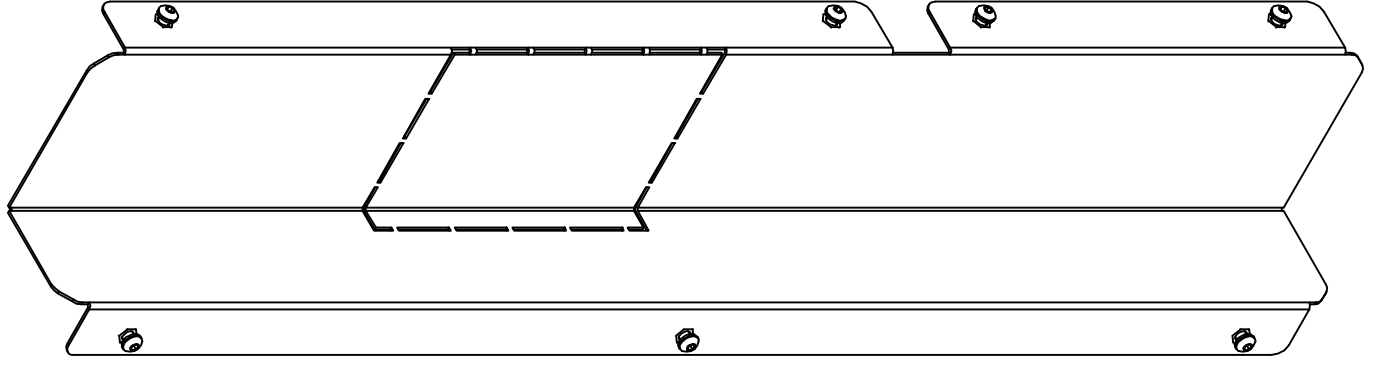
FS7.0138G Group complete lower carter

Part no.	RIF	Description	Specification English	Q.ty	Maintenance
FS7.1263G	1	Carter	CARTER YELLOW RAL1021	1	
N1.5956	2	Rivet	RIVET HEXAGON HEAD M4	6	
N1.6219	3	Washer	SPRING LOCK WASHER DIN 127 -B- M4	6	
N1.1232	4	Screw	BUTTON HEAD SCREW ISO 7380 - M4 x 16	6	



FS7.0145 Group shock door

Part no.	RIF	Description	Specification English	Q.ty	Maintenance
N1.5131	1	Nut	NUT CL.8 PG M5 DIN 934	2	
N1.6131	2	Washer	PLAIN WASHER DIN 125 - 6,4 x 18 ZINCED	6	
N1.7116	3	Screw	CYLINDRICAL HEAD SCREW 6X16 M5 CL.12.9 BLACK	2	
N2.5340	4	Spring	SPRING	1	



3

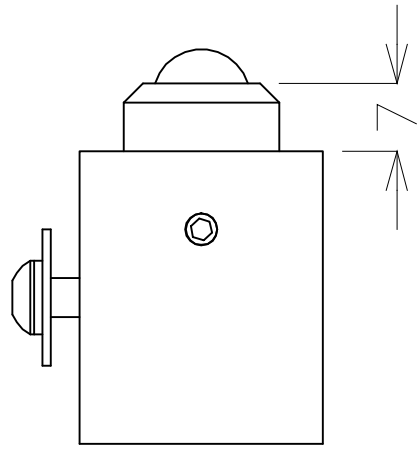
4

2

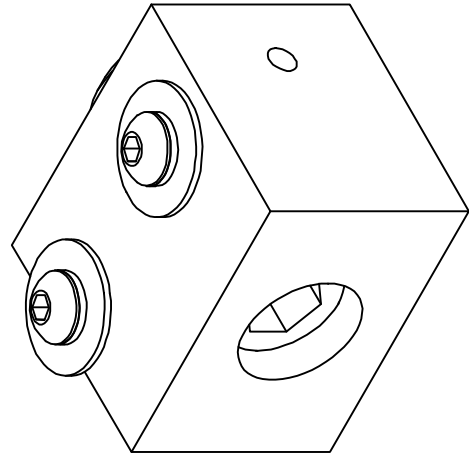
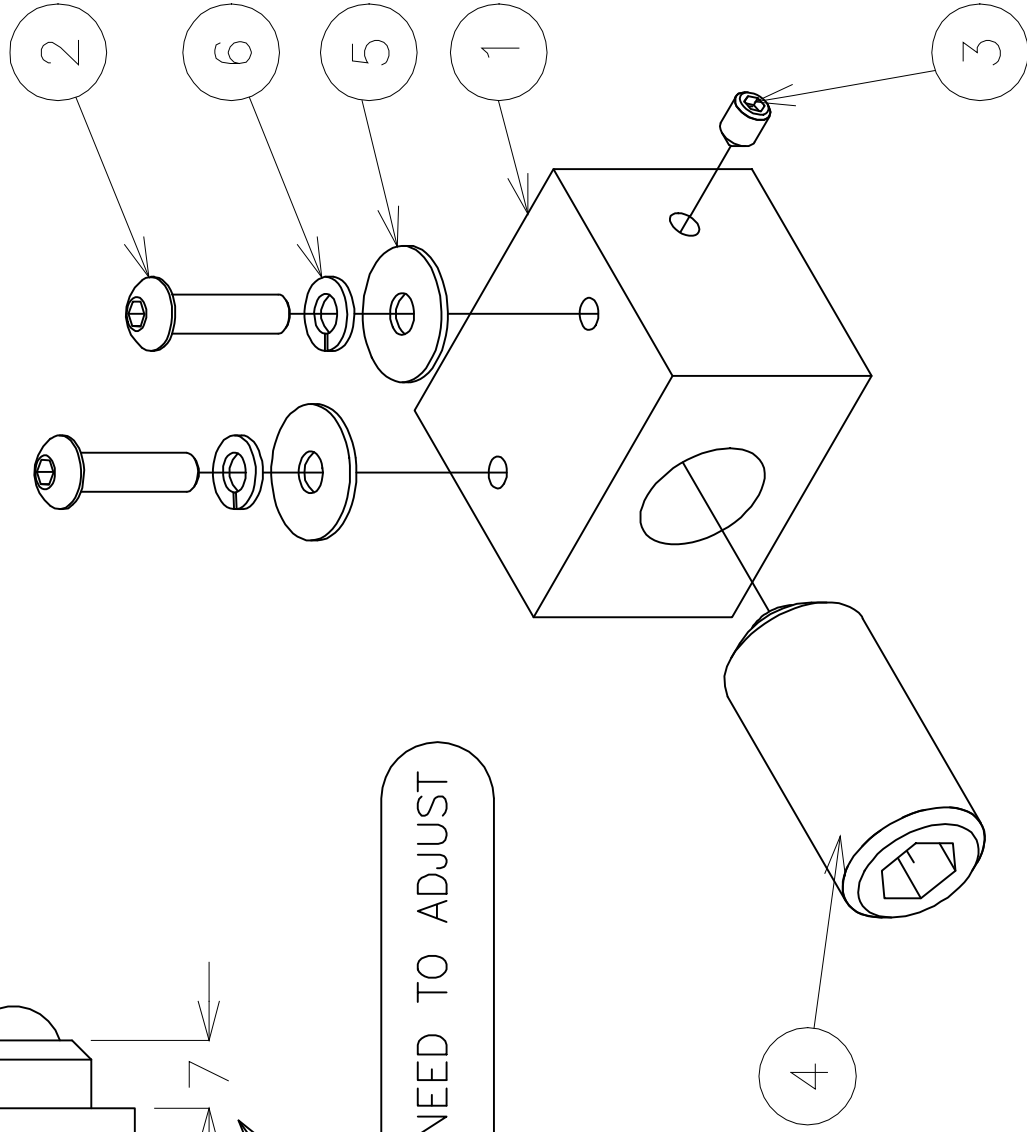
1

FS7.0147B Group complete inside carter

Part no.	RIF	Description	Specification English	Q.ty	Maintenance
FS7.1295B	1	Carter	CARTER BLUE RAL 5010	1	
N1.1232	2	Screw	BUTTON HEAD SCREW ISO 7380 - M4 x 16	7	
N1.5956	3	Rivet	RIVET HEXAGON HEAD M4	7	
N1.6219	4	Washer	SPRING LOCK WASHER DIN 127 -B- M4	7	



MAYBE NEED TO ADJUST



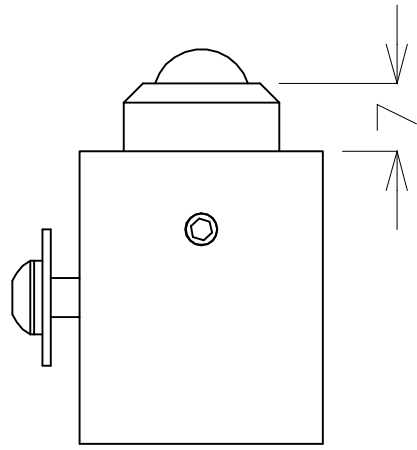
FS7.0154.V01

FROMM

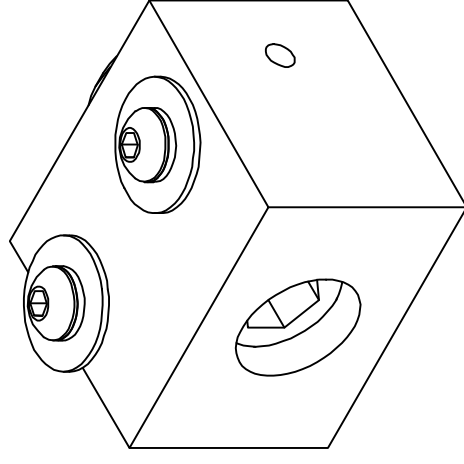
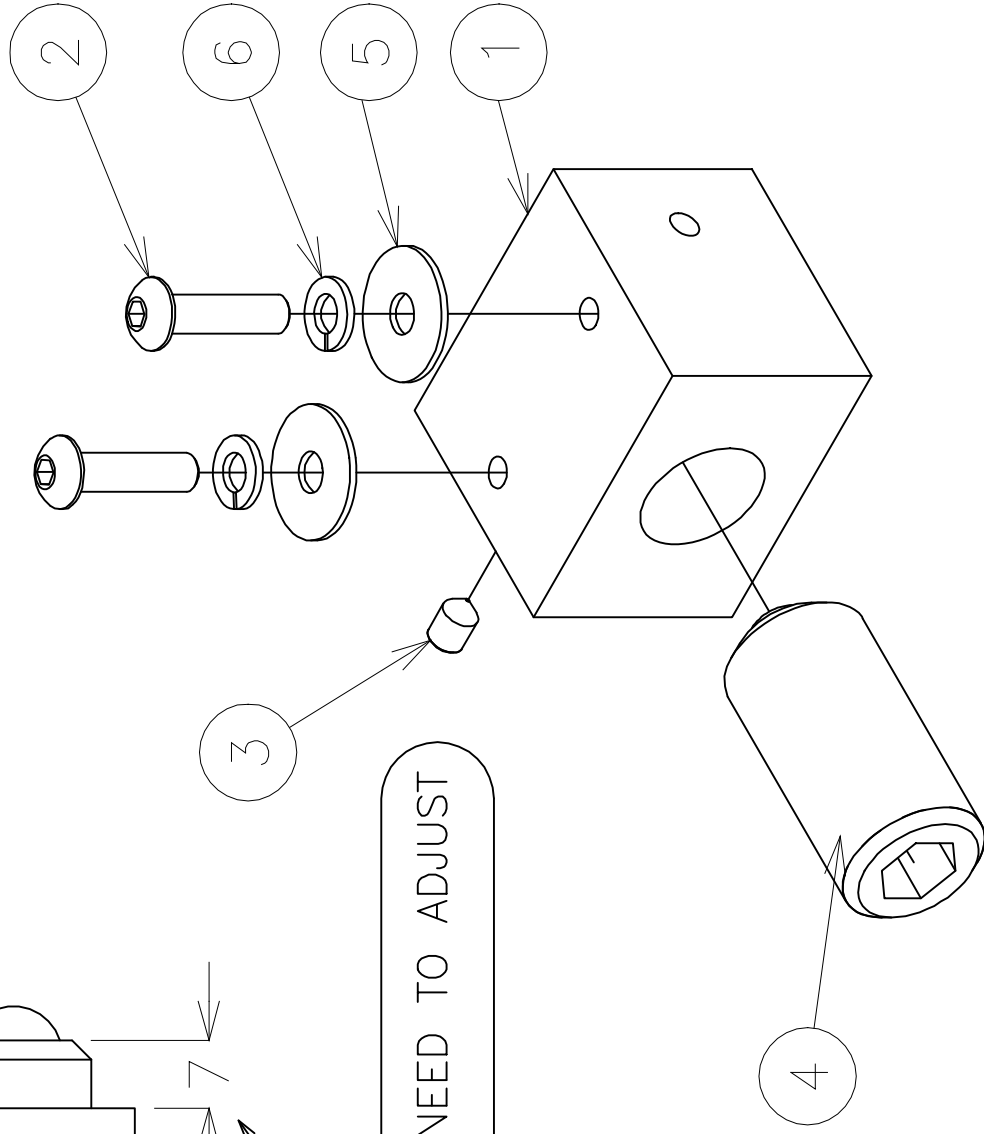
www.fromm-stretch.com

FS7.0154 Group wheat bolt

Part no.	RIF	Description	Specification English	Q.ty	Maintenance
FS7.1305	1	Block	BLOCK	1	
N1.1232	2	Screw	BUTTON HEAD SCREW ISO 7380 - M4 x 16	2	
N1.3203	3	Bolt	BOLT M4X8 DIN 914 BLACK	1	
N1.4806	4	Bolt	BOLT WHEAT M16	1	
N1.6160	5	Washer	PLAIN WASHER M4 4,3X14X0,8 DIN 125A GALVANIZED	2	
N1.6219	6	Washer	SPRING LOCK WASHER DIN 127 -B- M4	2	



MAYBE NEED TO ADJUST



FS7.0155 Group wheat bolt

Part no.	RIF	Description	Specification English	Q.ty	Maintenance
FS7.1305	1	Block	BLOCK	1	
N1.1232	2	Screw	BUTTON HEAD SCREW ISO 7380 - M4 x 16	2	
N1.3203	3	Bolt	BOLT M4X8 DIN 914 BLACK	1	
N1.4806	4	Bolt	BOLT WHEAT M16	1	
N1.6160	5	Washer	PLAIN WASHER M4 4,3X14X0,8 DIN 125A GALVANIZED	2	
N1.6219	6	Washer	SPRING LOCK WASHER DIN 127 -B- M4	2	



1

3

2

FS7.0156.V01

FROMM

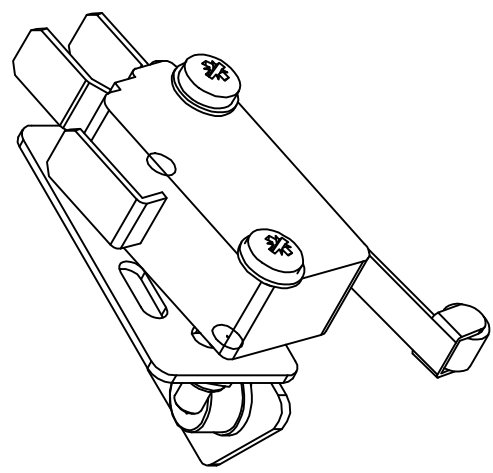
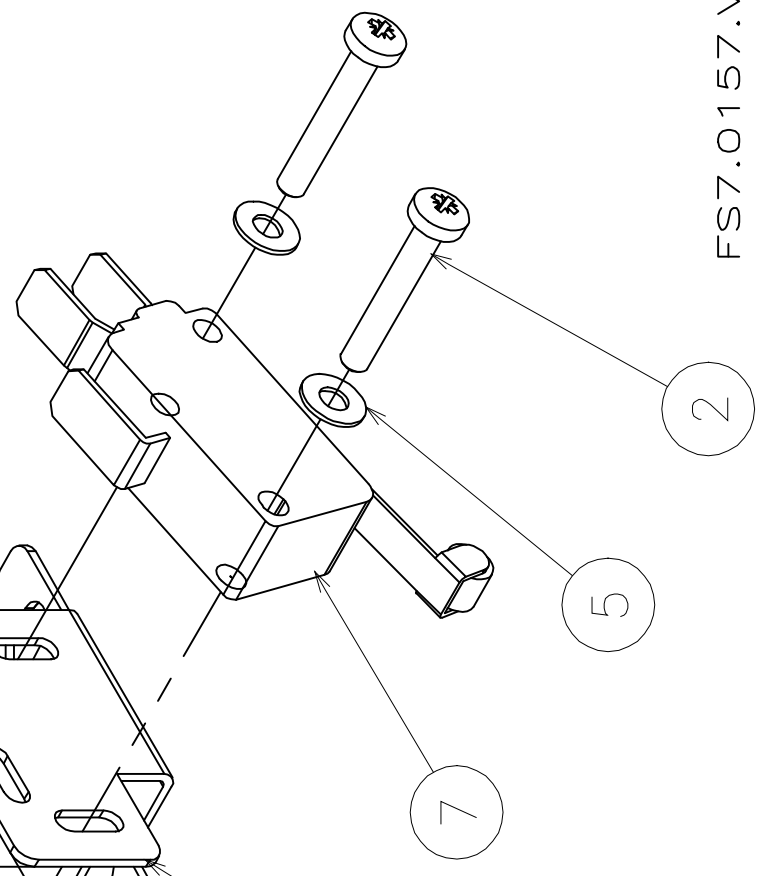
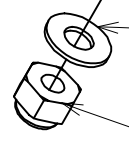
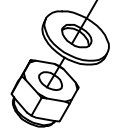
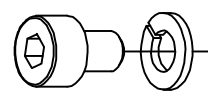
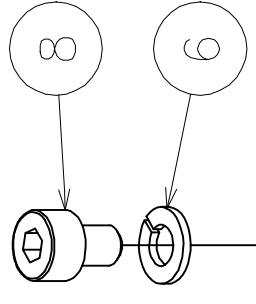
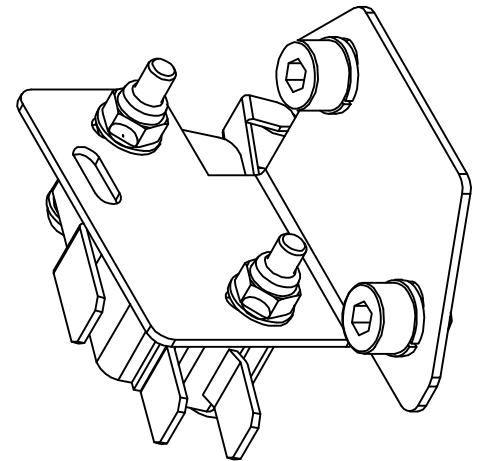
www.fromm-stretch.com

© 2014 FROMM

© 2014 FROMM

FS7.0156G Group complete lateral carter

Part no.	RIF	Description	Specification English	Q.ty	Maintenance
FS7.1253G	1	Carter	CARTER YELLOW RAL 1021	1	
N1.1213	2	Screw	BUTTON HEAD SCREW ISO 7380 - M4 x 8 ZINCED	6	
N1.6219	3	Washer	SPRING LOCK WASHER DIN 127 -B- M4	6	



FS7.0157 Group micro door

Part no.	RIF	Description	Specification English	Q.ty	Maintenance
FS7.1250Z	1	Bracket	BRACKET ZINCED	1	
N1.1916	2	Screw	PHILIPS HEAD SCREW M3x20 DIN 7985 ZINCED	2	
N1.5313	3	Nut	PREV. HEXAGON TORQUE M3 DIN 985 SHORT GALVA.	2	
N1.6154	4	Washer	PLAIN WASHER M3 3,2X9X0,8 DIN 9021 GALVANIZED	2	
N1.6190	5	Washer	WASHER M3 DIN125 Di=3,2 De=7 sp=0,5	2	
N1.6219	6	Washer	SPRING LOCK WASHER M4 DIN 127 -B- ZINCED	2	
N5.2375	7	Micro	LIMIT SWITCH OMRON	1	C-E
N11.1114	8	Screw	CYLINDRICAL HEAD SCREW CL.8.8 DIN 912 M4x6 GAL.	2	