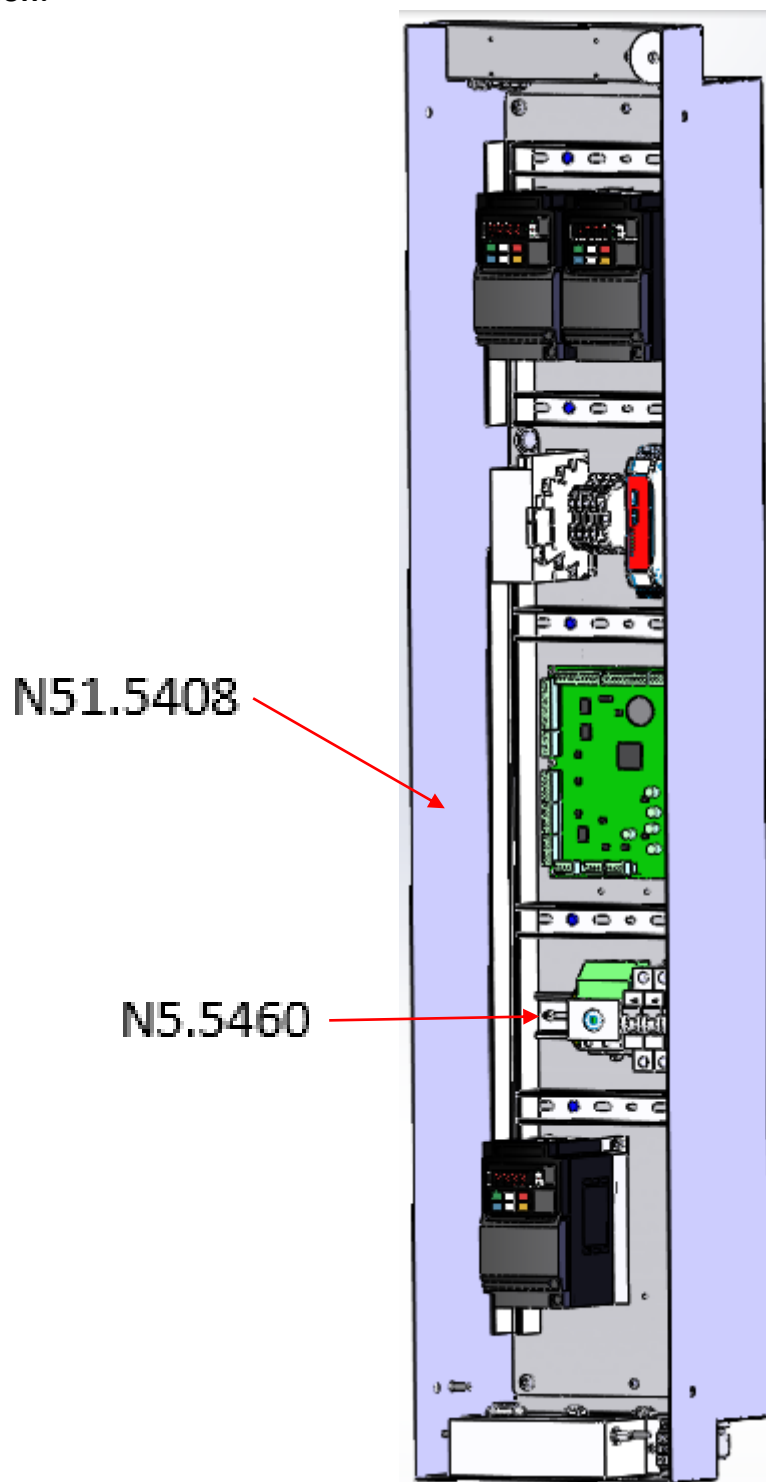


TI-FS390-Heater Kit FS390

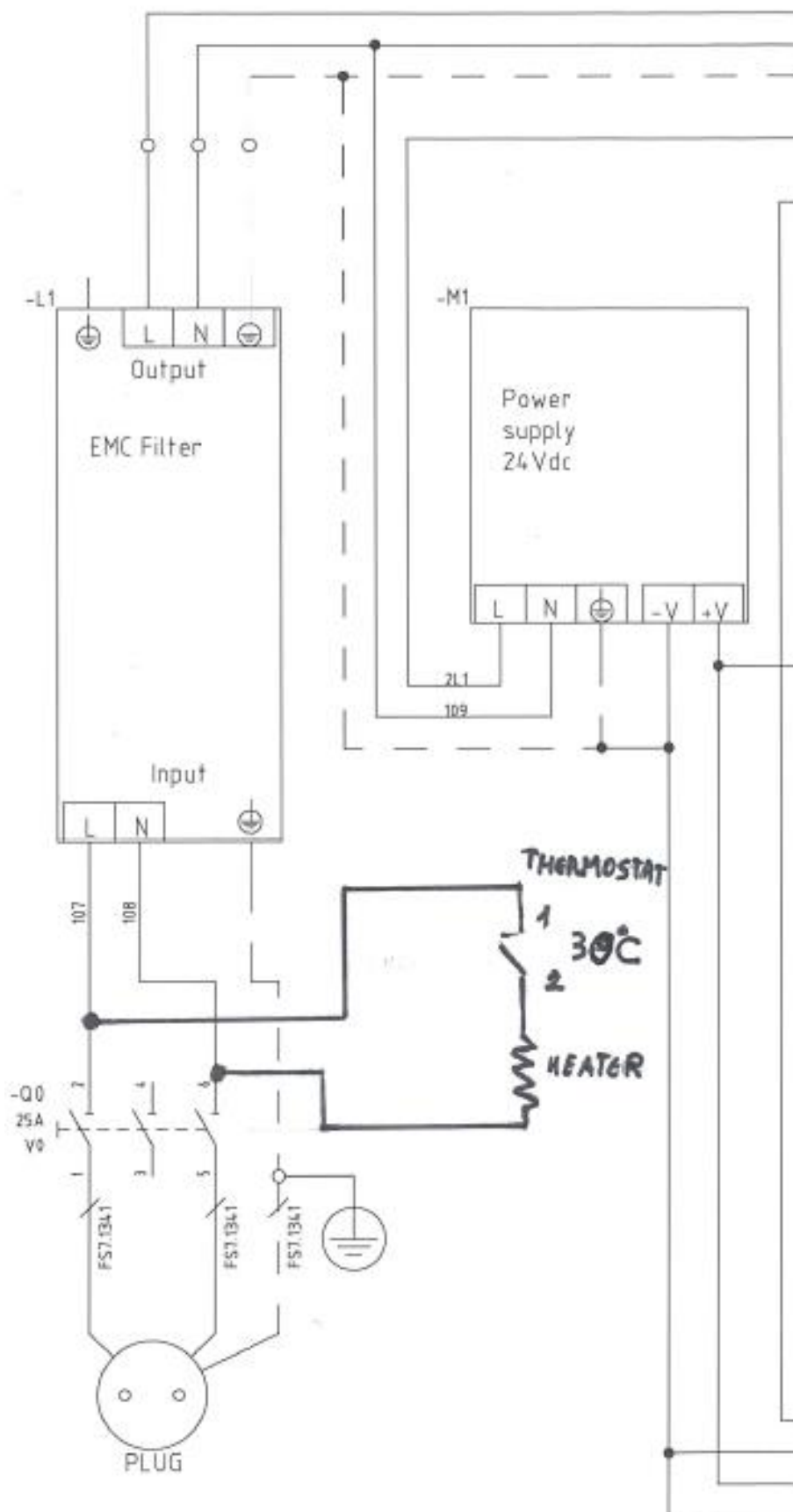
Boom list:

- N°1 code N5.5460 ANTI-CONDENSATION HEATER 55W
- N°1 code N51.5408 SIMPLE THERMOSTAT 250V

Position:

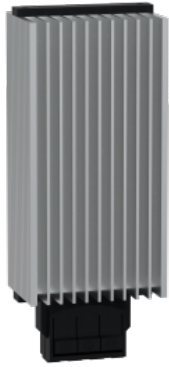


Connections:



Product data sheet

Specifications



ClimaSys PTC heating resistance 55W, 110-250V

NSYCR55WU2

Main

Range	ClimaSys
Product name	ClimaSys CR
Product or component type	Resistance heater
Range compatibility	Prisma (P) Prisma (G)
Power range	55 W
Input voltage	110...250 V AC 50/60 Hz

Complementary

Operating position	Vertical
Ambient air temperature for operation	-40...70 °C
IP degree of protection	IP20
Product certifications	UL VDE
Material	Body: extruded aluminium
Height	200 mm
Width	85 mm
Depth	70 mm
Condition of use	Air sealed enclosure Heaters must be installed with a thermal controller Electrical protection is needed
Fixing mode	By clips
Mounting support	35 mm DIN rail

Packing Units

Unit Type of Package 1	PCE
Number of Units in Package 1	1
Package 1 Height	7 cm
Package 1 Width	8 cm
Package 1 Length	20.5 cm
Package 1 Weight	534 g

Unit Type of Package 2	CAR
Number of Units in Package 2	16
Package 2 Height	42 cm
Package 2 Width	34 cm
Package 2 Length	16 cm
Package 2 Weight	9.16 kg
Unit Type of Package 3	P12
Number of Units in Package 3	480
Package 3 Height	93 cm
Package 3 Width	80 cm
Package 3 Length	120 cm
Package 3 Weight	288.5 kg

Offer Sustainability

Sustainable offer status	Green Premium product
REACH Regulation	REACH Declaration
REACH free of SVHC	Yes
EU RoHS Directive	Compliant EU RoHS Declaration
Mercury free	Yes
RoHS exemption information	Yes
China RoHS Regulation	China RoHS declaration Product out of China RoHS scope. Substance declaration for your information
Environmental Disclosure	Product Environmental Profile
WEEE	The product must be disposed on European Union markets following specific waste collection and never end up in rubbish bins

Contractual warranty

Warranty	18 months
----------	-----------

Product data sheet

Specifications



ClimaSys CC - simple thermostat 250V - range of temperature 0... 60°C - NC - °C

NSYCCOTHC

Main

Range	ClimaSys
Product name	ClimaSys CC
Product or component type	Simple thermostat
Temperature setting range	0...60 °C
Information displayed	Temperature in °C

Complementary

Input voltage	250 V
Sensor type	Bimetal
Contacts type and composition	NC
Contact resistance	10 mOhm
Service life in cycles	100000 cycles
Maximum switching capacity	2 A 120...250 V AC inductive pf: 0.6 10 A 250 V AC resistive 15 A 120 V AC resistive 30 W DC
Electrical connection	4 terminals, clamping capacity: 2.5 mm ²
Mounting mode	Clipped
Height	68 mm external:
Width	33 mm external:
Depth	44 mm external:
Net weight	40 g
Mounting location	Spacial upright 35 mm DIN rail Cross rails On mounting plate
Ambient air temperature for operation	-20...80 °C
IP degree of protection	IP20
Hysteresis	7 %
Number of outputs	1 heating function
Material	PC
Colour	Light grey

Flame retardance	Self-extinguishing conforming to UL94 (material V0)
Product certifications	UL

Packing Units

Unit Type of Package 1	PCE
Number of Units in Package 1	1
Package 1 Height	4.826 cm
Package 1 Width	6.35 cm
Package 1 Length	8.128 cm
Package 1 Weight	63.504 g
Unit Type of Package 2	CAR
Number of Units in Package 2	100
Package 2 Height	41.5 cm
Package 2 Width	32.5 cm
Package 2 Length	24.5 cm
Package 2 Weight	7.638 kg
Unit Type of Package 3	PAM
Number of Units in Package 3	3600
Package 3 Height	160 cm
Package 3 Width	100 cm
Package 3 Length	120 cm
Package 3 Weight	290 kg

Offer Sustainability

Sustainable offer status	Green Premium product
REACH Regulation	REACH Declaration
REACH free of SVHC	Yes
EU RoHS Directive	Compliant EU RoHS Declaration
Mercury free	Yes
RoHS exemption information	Yes
China RoHS Regulation	China RoHS declaration Product out of China RoHS scope. Substance declaration for your information
Environmental Disclosure	Product Environmental Profile

Contractual warranty

Warranty	18 months
----------	-----------